



# 7" Bluetooth® DVD Boombox with TV

NDL-287



## Instruction Manual

Please read carefully before use and keep for future reference.

---

---

# Table of Contents

<b>Thank You .....</b>	<b>4</b>	<b>DVD Mode .....</b>	<b>18</b>
<b>In the Box .....</b>	<b>4</b>	Playing a DVD .....	18
<b>Before You Start .....</b>	<b>5</b>	Program Mode .....	19
<b>At a Glance .....</b>	<b>6</b>	Playing Digital Music/Video Files.....	20
Main Unit.....	6	Playing Digital Photo Files .....	21
Remote Control.....	13	<b>TV Mode .....</b>	<b>23</b>
Using the Remote Control .....	14	Connecting an External Antenna .....	23
Installing or Replacing the Batteries.....	14	About Antennas and Channel Reception.....	24
<b>Connect Power .....</b>	<b>16</b>	Channel Search.....	24
Using AC Power.....	16	Watching TV .....	25
Using the DC Car Adapter .....	16	TV Options Menu.....	25
Using Batteries .....	16	Search Menu Options .....	25
<b>Basic Functions.....</b>	<b>17</b>	Config Menu Options.....	26
Turning the Unit On and Off .....	17	System Menu Options.....	26
Adjusting the Volume .....	17	<b>Bluetooth® Mode .....</b>	<b>26</b>
Turning the Screen On and Off .....	17	Connecting a Device for the First Time (Pairing).....	26
Using the Number Keypad .....	18	Playing Connected Devices .....	27
		<b>AUX Mode .....</b>	<b>28</b>
		<b>USB/Card Mode.....</b>	<b>28</b>

<b>Radio (AM/FM) Mode.....</b>	<b>29</b>	<b>Warnings and Precautions.....</b>	<b>38</b>
Tuning to a Radio Station .....	29	<b>Troubleshooting .....</b>	<b>42</b>
<b>Setup Menu .....</b>	<b>30</b>	<b>Specifications .....</b>	<b>44</b>
General Setup Page .....	30	<b>Support .....</b>	<b>45</b>
Audio Setup Page .....	31		
Video Setup Page .....	32		
Preference Page .....	32		
<b>Optional Connections .....</b>	<b>34</b>		
Connect to a TV (AV Out).....	34		
<b>About Optical Discs .....</b>	<b>35</b>		
Disc Types.....	35		
Video DVDs.....	35		
Audio CDs .....	35		
Picture CDs (JPEG).....	36		
DVD Features.....	36		
DVD Region Codes.....	36		
Disc Care and Maintenance.....	37		
Handling a Disc.....	37		
Cleaning a Disc .....	37		

---

---

## Thank You

We know you have many choices when it comes to technology; thank you for choosing us here at Naxa Electronics. Established in 2001 in Los Angeles, California, we are dedicated to delivering products that entertain and delight.

We trust that you will be happy with your purchase. Please read this manual carefully and save it for reference. You may also find the latest FAQ, documentation, and other product material at our website. Come visit us on the web at **[www.naxa.com](http://www.naxa.com)** and see all that we have to offer!

---

---

## In the Box

Please take a moment to make sure that you have everything in the list below. Although we make every effort to ensure that each Naxa device is securely packed and sealed, we know a lot can happen in between us and you. If anything is missing, check back with your local retailer to get immediate assistance. If they cannot help you, please contact our Naxa Support team at **[www.naxa.com/naxa\\_support](http://www.naxa.com/naxa_support)**.

- NDL-287
- AC power cable
- DC car adapter cable
- A/V cable
- TV antenna
- Remote control
- User manual

---

# Before You Start

Please take note of the following before you start.

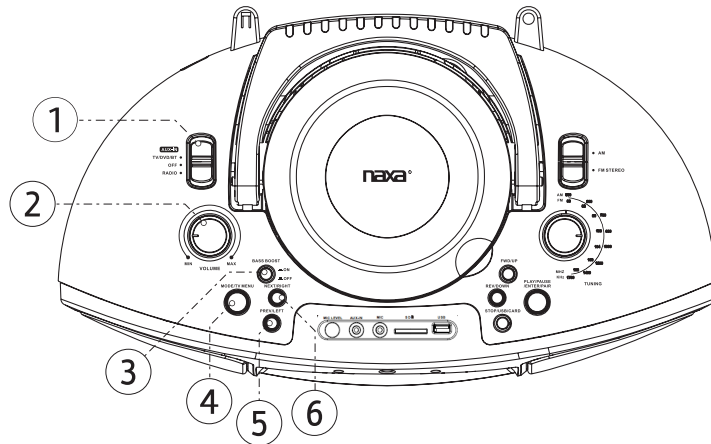
- Do not block the ventilation openings or holes.
- Avoid installing the unit in locations described below:
  - Places exposed to direct sunlight or close to heat radiating appliances (such as electric heaters, or on top of other stereo equipment that radiate heat).
  - Places lacking ventilation or dusty places.
  - Places subject to constant vibration.
  - Places that are humid or moist.
- Operate turning controls and switches as instructed in manual.
- Before turning on the power for the first time, make sure that the power cord is properly installed.
- Store your DVDs and CDs in a cool area to avoid damage from heat.

**CAUTION: TO REDUCE THE RISK OF ELECTRIC SHOCK, DO NOT REMOVE COVER (OR BACK). NO USER SERVICEABLE PARTS INSIDE, REFER SERVICING TO QUALIFIED SERVICE PERSONNEL.**

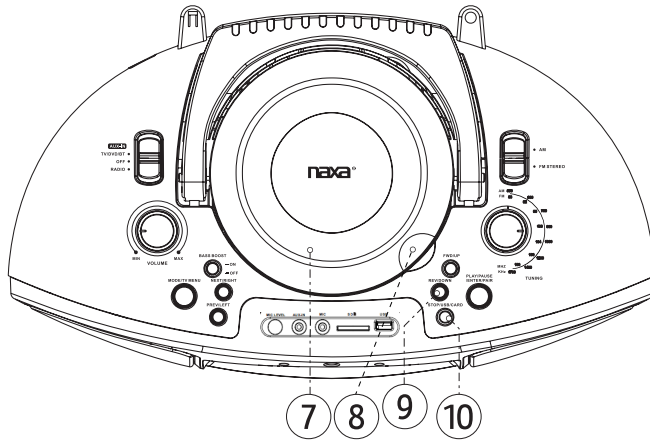
**WARNING:** The battery used in this device may present a fire or chemical burn if mistreated. Do not disassemble, incinerate, or heat the battery. Do not leave the battery in a place subject to direct sunlight, or in a car with its windows closed.

# At a Glance

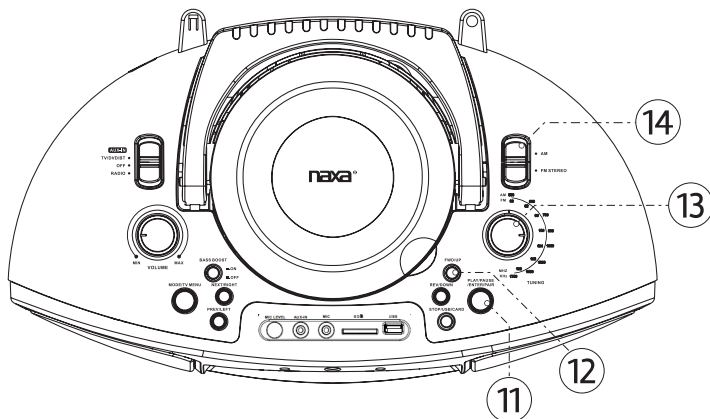
## Main Unit



1	<b>POWER/ FUNCTION switch</b>	Use the switch to change the active function mode. Set the switch to "OFF" to turn the unit off.
2	<b>Volume dial</b>	Turn to adjust the volume level.
3	<b>Bass Boost</b>	Increase the bass level when set to ON.
4	<b>MODE/TV MENU</b>	Mode: When the FUNCTION switch is set to TV/DVD/BT/AUX, press MODE to change the active function mode between DVD, Bluetooth, and AUX. Menu: Press and hold to access the menu screen.
5	<b>PREV/LEFT</b>	Previous: Press to go to the previous title, chapter, or track. Left: Press to browse left in menu/option screens.
6	<b>NEXT/RIGHT</b>	Next: Press to go to the next title, chapter, or track. Right: Press to browse right in menu/option screens.

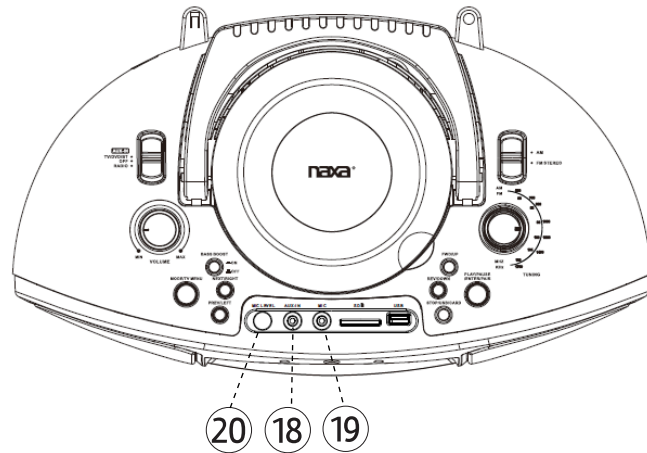
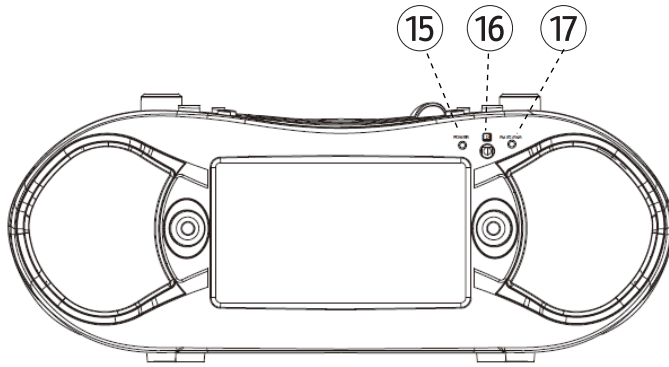


7	Disc Door	Open the disc door to add or remove DVD and CD discs from the unit.
8	Open Disc Door	Lift here to open the Disc Door. To close the Disc Door, press down gently. <b>Never open the door while a disc is playing or spinning!</b>
9	REV/DOWN	Reverse: During playback, press and hold to scan back quickly through the track. Down: Press to browse down in menu/option screens.
10	STOP/USB/CARD	Stop: During playback, press to stop. USB/CARD: While the FUNCTION switch is set to TV/DVD/BT/AUX, press and hold to change the active function mode between DVD/BT, USB, and CARD (SD). <i>Note: Make sure no cables are connected to the AUX IN jack of the unit otherwise it will stay in AUX mode.</i>

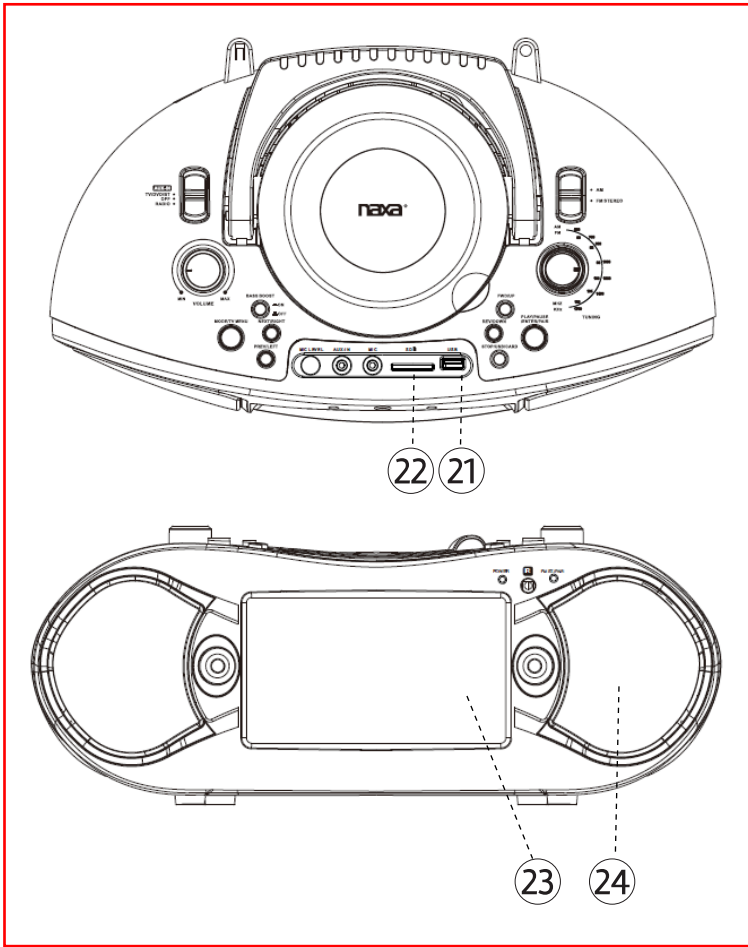


11	PLAY/ PAUSE/ ENTER/PAIR	<p>PLAY/PAUSE: Start, pause, or resume playback.</p> <p>ENTER: Press to select the highlighted item in menu/option screens.</p> <p>PAIR: When the unit is in BT mode and not connected to a device, press to attempt to pair with the most recently connected device.</p>
12	FWD/UP	<p>Forward: During playback, press and hold to scan forward quickly through the track.</p> <p>Up: Press to browse down in menu/option screens.</p>
13	TUNING dial	Turn to tune to a radio station.
14	BAND switch	<p>When the FUNCTION switch is set to RADIO:</p> <ul style="list-style-type: none"> <li>• Set to AM to tune to AM radio frequencies (kHz).</li> <li>• Set to FM STEREO to tune to FM radio frequencies (MHz).</li> </ul>

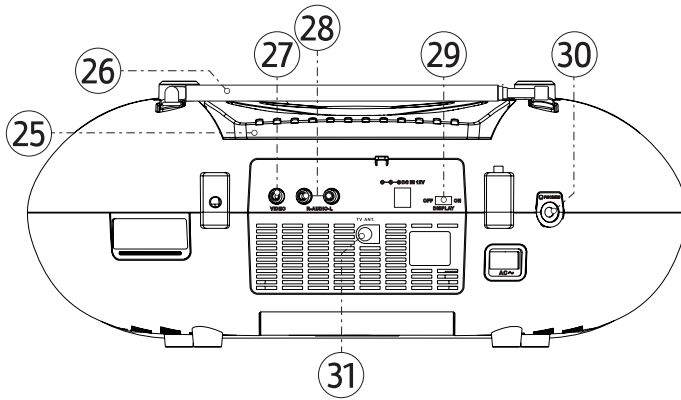




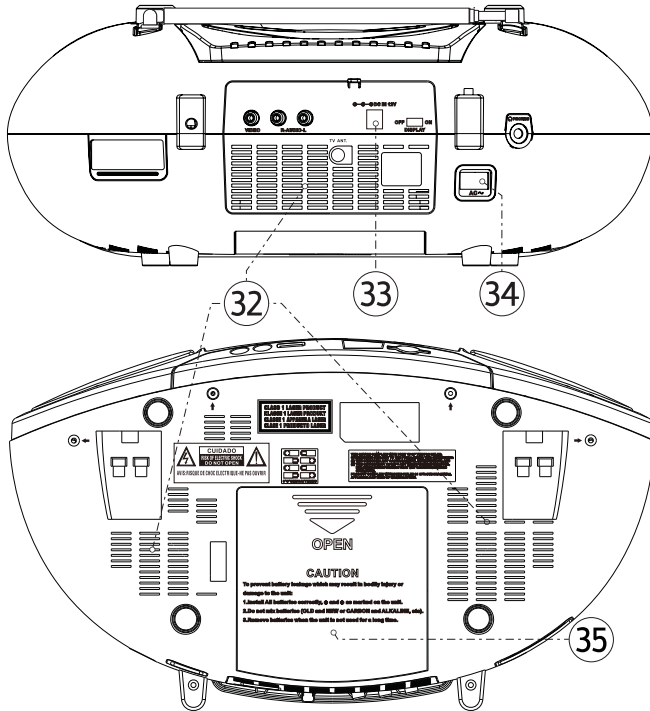
15	Power indicator	Lights red when the unit is on.
16	Remote sensor	Detects signals from the remote control.
17	FM ST/PAIR indicator	FM ST: Lights red when the FM radio tuner is locked onto an FM stereo broadcast. PAIR: Lights a steady blue when connected to a Bluetooth® device. Flashes blue slowly when ready to pair with a new device. Flashes blue quickly when connecting to a device.
18	AUX In	3.5mm AUX audio input.
19	MIC In	3.5mm microphone input. The microphone is active in DVD, USB, and CARD modes.
20	MIC level dial	Turn the dial to adjust the MIC In level (i.e., the volume of a connected microphone).



- |    |                  |  |
|----|------------------|--|
| 21 | USB port         | Load USB memory sticks here. The USB port is designed for media playback from flash memory devices. It is not designed to charge high-power devices. |
| 22 | Memory card slot | Load memory cards here. Refer to the Specifications section of this manual for a list of supported memory cards.                                     |
| 23 | LCD screen       | Enjoy your videos on a color TFT LCD screen.   |
| 24 | Speakers         | Full-range drivers deliver powerful stereo sound.  |

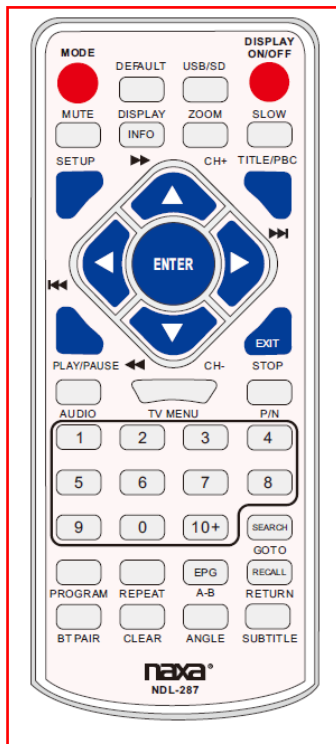


25	Handle	Convenient handle flips up when you need to carry the unit.
26	Telescopic antenna	Extend the antenna fully for optimal FM radio reception.
27	Composite video out	Send a composite video signal to a TV or other device.
28	Stereo audio out	Send a stereo audio signal to a TV, receiver, or other device.
29	Display switch	Turn the LCD screen on or off. Turn the screen off to save power when listening to the radio or other function that does not require video.
30	Headphone out	Connection for headphones or earphones with a 3.5 mm plug. The speakers will be disabled when this connection is in use.
31	TV ANT input	TV antenna input. RF coaxial connection for external TV antennas.



32	Vents	Do not obstruct the vents. The vents provide air circulation to prevent overheating.
33	DC power in	DC power socket for use with the included DC power cable.
34	AC power in	AC power socket for use with the included AC power cable.
35	Battery compartment cover	The unit can run on eight (8) C size batteries. Slide the cover in the direction of the arrow to remove it. When loading batteries, make sure to match their positive (+) and negative (-) poles with the markings found inside the battery compartment.

# Remote Control



<b>MODE</b>	When the FUNCTION switch is set to TV/DVD/BT/AUX, press MODE to change the active function mode between DVD, Bluetooth, and AUX.	<b>SETUP</b>	Access the system menu screen.
<b>DEFAULT</b>	Reset options.	<b>TITLE/PBC</b>	Go to the DVD/SVCD title screen.
<b>USB/SD</b>	While the FUNCTION switch is set to TV/DVD/BT/AUX, press and hold to change the active function mode between DVD/BT, USB, and CARD (SD).	<b>PLAY/PAUSE</b>	Start, pause, or resume playback.
<b>DISPLAY ON/OFF</b>	Turn the LCD screen on or off. Make sure that the Display switch [29] on the back of the unit is set to <b>ON</b> .	<b>STOP</b>	Stop playback.
<b>MUTE</b>	Disable or restore sound.	<b>UP/FWD/CH+</b>	Browse up in a menu or scan forward quickly through a track.  Tune to the next channel in the channel list when watching TV.
<b>DISPLAY/INFO</b>	View program and TV information on the LCD screen.	<b>DOWN/REV/CH-</b>	Browse down in a menu or scan backward quickly through a track.  Tune to the previous channel in the channel list when watching TV.
<b>ZOOM</b>	Change the zoom options.	<b>LEFT/PREV</b>	Browse left in a menu or skip to the previous track.
<b>SLOW</b>	Slow motion playback.		

RIGHT/ NEXT	Browse right in a menu or skip to the next track.
ENTER	Select an item in a menu.
AUDIO	Change the audio options.
TV MENU	Go to the TV menu
P/N	Change between PAL, NTSC, and AUTO video modes.
Numeric Keypad (0-9, +10)	Use the keypad to enter a number value as necessary. Press +10 to skip forward 10 tracks.
GOTO/ SEARCH	Go to a specific time point in a track. Search TV programs.
PRO- GRAM	Enter program mode to create a custom playlist.
REPEAT	Toggle the repeat playback mode.
A-B/EPG	Set Repeat A-B to loop a portion of a track. Show the TV program list.
RETURN/ RECALL	Go back. / Go back to the previous TV program.

BT PAIR	Connect a Bluetooth® device.
CLEAR	Cancel.
ANGLE	Change the camera view extra angles are available.
SUBTITLE	Change the subtitle options.

## Using the Remote Control

Aim the IR emitter of the remote control at the remote sensor and then press a key. The remote control will work within 15 feet of the remote sensor and at an angles less than 30 degrees from the center line.



*Obstacles between the remote control and the sensor may interfere with the signal.*

*Direct sunlight, incandescent or fluorescent*

*lamps, and other strong light sources may interfere with the signal.*

## Installing or Replacing the Batteries

The remote control requires 2 x “AAA” batteries to function. Alkaline batteries are recommended.

1. Find the battery compartment door the back of the remote control. Press in on the tab to release the door.
2. Load 2 new “AAA” size batteries into the battery compartment. Make sure to match the “+” and “-” poles of the batteries with the markings found inside the compartment.
3. Replace the battery compartment door.



*Use only the size and type of batteries specified.*

*Be sure to match the positive and negative poles of the battery with the positive and negative terminals of the battery compartment. Reversed or other improper installation can damage the device and other property.*

*Do not install different types of batteries together (e.g., alkaline with carbon-zinc or nickel metal hydride). Do not install old batteries together with new ones.*

*If the device will not be in use for a long time, remove the batteries prevent battery leakage. Battery leakage can cause injury and damage to your device and property.*

*Always follow directions provided by the battery manufacturer. Do not charge batteries that are not intended to be re-charged; doing so can cause the batteries to overheat and rupture.*

*Do not incinerate batteries or otherwise apply heat to them; they may explode or leak.*

---

---

## Connect Power

The unit can be powered from AC or DC power sources, or by eight (8) C-size batteries.

### Using AC Power

Use the included AC power cable to connect the player to AC household power.

- Connect the two-pronged end of the cable to a household power outlet.
- Connect the other end of the cable to the AC Power In socket [34] of the player.



*The unit supports AC 120 V power only. Do not connect the unit to a power outlet other than that which is indicated here or on the label as this may result in the risk of fire or electric shock.*

*Do not handle the power plug with wet hands. Doing so may cause electric shock.*

### Using the DC Car Adapter

Use the included DC car adapter to connect the player to DC power socket found on cars, campers, boats, and more.

- Connect the large end of the DC car adapter to a standard DC car power socket.
- Connect the barrel plug end of the adapter to the DC Power In socket [33] of the player.

### Using Batteries

The unit can operate on eight (8) C-size batteries. Batteries designed for high-drain devices are recommended (e.g., alkaline or rechargeable Ni-MH).



*Use only the size and type of batteries specified.*

*Be sure to match the positive and negative poles of the battery with the positive and negative terminals of the battery compartment. Reversed or other improper installation can damage the device and other property.*



*Do not install different types of batteries together (e.g., alkaline with carbon-zinc or nickel metal hydride). Do not install old batteries together with new ones.*

*If the device will not be in use for a long time, remove the batteries prevent battery leakage. Battery leakage can cause injury and damage to your device and property.*

*Always follow directions provided by the battery manufacturer. Do not charge batteries that are not intended to be re-charged; doing so can cause the batteries to overheat and rupture.*

*Do not incinerate batteries or otherwise apply heat to them; they may explode or leak.*

---

---

## Basic Functions

### Turning the Unit On and Off

To turn the unit on, set the POWER/FUNCTION switch [1] to any position other than **OFF**. The Power indicator [15] will light red.

To turn the unit off, set the POWER/FUNCTION switch to the **OFF** position. The Power indicator will darken.


### Adjusting the Volume

- Turn the Volume dial [2] clockwise to increase the volume. Turn it counter-clockwise to decrease the volume.
- Press the MUTE key on the remote to disable sound output completely. Press the MUTE key again to restore sound output.

### Turning the Screen On and Off

You can turn the LCD screen off to conserve power.

- Press the LCD ON/OFF key [10] to turn the screen off. Press it again to turn it back on again.

 You may want to turn the LCD screen off when listening to music or whenever you are not watching video.

*The LCD screen consumes a lot of power. You can prolong the lifetime of your batteries if you avoid using the LCD screen.*

## Using the Number Keypad

Use the number keypad (1–0, 9) on the remote to input a value when prompted on a menu or option screen.

For instance, to go to track 15:

1. Press the “1” key.
2. Press the “5” key.
3. Press the ENTER key.

---

---

## DVD Mode

To set the active source mode to DVD, set the FUNCTION switch [1] to **TV/DVD/BT/AUX**.

### Playing a DVD

Load a DVD disc in the disc compartment. The player will automatically attempt to read the disc.

- Press PLAY/PAUSE/ENTER/PAIR [11] to start, pause, or resume playback.
- Press STOP/USB/CARD [10] to stop playback.
- Press **TV MENU** on the remote to show the root menu screen of the DVD. (This function will only work with DVDs that have been mastered with a main menu.)
- Press the TITLE key on the remote to select a title to play. (This function will only work with DVDs that have been mastered with titles or chapters.)

## During playback:

PREV/LEFT	Press to return to the beginning of the chapter. Continue pressing to skip to the previous chapter or until you have reached the beginning of the disc.
NEXT/RIGHT	Press to skip to the next chapter.
FWD/UP (FORWARD)	Press to change the rate of forward playback (2x, 4x, 8x, 16x, 32x). Press PLAY/PAUSE/ENTER/PAIR to resume playback at normal speed (1x).
REV/DOWN (REVERSE)	Press to change the rate of reverse playback (2x, 4x, 8x, 16x, 32x). Press PLAY/PAUSE/ENTER/PAIR to resume playback at normal speed (1x).
STOP	Press to stop playback. The player will remember the point where you stopped the disc and resume playback from there.  Press again while playback is stopped to clear the saved timepoint from memory.
REPEAT	Using the remote, press to repeat the current chapter/track, title, or to repeat the entire disc.

## Program Mode

Use program mode to create a custom playlist of up to 16 titles, chapters, or tracks.

Press PROGRAM on the remote to display the program menu. (Press PROGRAM again to cancel and exit Program mode.)

### Programming DVD Tracks

- Use the arrow keys of the remote to change Program slots.
- Use the Number keypad of the remote to enter a title/track/chapter number in each of the Program slots.

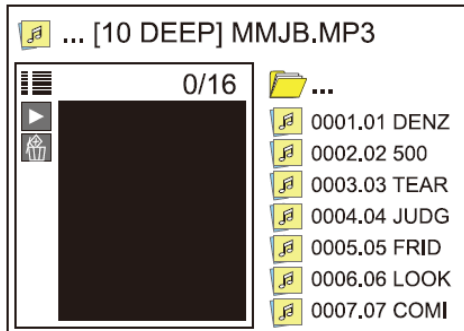
### Programming CD and MP3 Tracks

- Use the arrow keys of the remote to select the desired program track, then press ENTER key to add it to the program list.
- To start Program playback, use the arrow keys to highlight PLAY and then press the ENTER key.
- To stop Program playback, press the STOP key. To clear the program list, press the STOP key again while play is stopped.

## Program Screen—DVD

T C	T C	T C	T C
1 --:--	5 --:--	9 --:--	13 --:--
2 --:--	6 --:--	10 --:--	14 --:--
3 --:--	7 --:--	11 --:--	15 --:--
4 --:--	8 --:--	12 --:--	16 --:--
PROGRAM			
PLAY		CLEAR	

## Program Screen—CD



## Playing Digital Music/Video Files

This unit will play discs that contain digital media files instead of DVD video. Refer to the Specifications section to learn more about media file compatibility.

When a disc is loaded that contains files, the unit will read the disc and then list all of the files and folders on the LCD screen.

- Use the direction buttons to browse the file/folder list; press PLAY/PAUSE/ENTER/PAIR [11] to select an item from the list.
  - If the item selected was a folder, the unit will display the contents of the folder.
  - If the item selected was a music or video file, the unit will start playback.

## During playback:

PREV/LEFT	Press to return to the beginning of the track. Continue pressing to skip to the previous track or until you have reached the beginning of the folder.
NEXT/RIGHT	Press to skip to the next track.
FWD/UP (FORWARD)	Press to change the rate of forward playback (2x, 4x, 8x, 16x, 32x). Press PLAY/PAUSE/ENTER/PAIR to resume playback at normal speed (1x).  Press and hold to browse up the list of files.
REV/DOWN (REVERSE)	Press to change the rate of reverse playback (2x, 4x, 8x, 16x, 32x). Press PLAY/PAUSE/ENTER/PAIR to resume playback at normal speed (1x).  Press and hold to browse down the list of files.
STOP	Press to stop playback.
REPEAT	Using the remote, press to repeat the current track or all tracks in the folder.
Numeric Keypad (0-9, +10)	Using the remote, enter a track number and then press ENTER to skip directly to it.

## Playing Digital Photo Files

This unit will play discs that contain digital photo files instead of DVD video. Refer to the Specifications section to learn more about photo file compatibility.

When a disc is loaded that contains photo files, the unit will read the disc and then list all of the files and folders on the LCD screen.

- Use the direction buttons to browse the file/folder list; press PLAY/PAUSE/ENTER/PAIR [11] to select an item from the list.
  - If the item selected was a folder, the unit will display the contents of the folder.
  - If the item selected was a photo file, the unit will display the photo (and continue displaying any other photos as a slideshow).



*The unit will return to the file list when the slideshow ends.*

## During playback:

PREV/LEFT	Press to skip to the previous photo.
NEXT/RIGHT	Press to skip to the next photo.
FWD/UP	Press to rotate the photo clockwise.
REV/DOWN	Press to rotate the photo counterclockwise.
STOP	<p>Press to stop the slideshow and see a thumbnail index.</p> <p>Use the direction keys to select a thumbnail to view it, or choose one of the menu items at the bottom of the screen.</p> <ul style="list-style-type: none"><li>• Slide Show: return to viewing the slideshow.</li><li>• Menu: View photo controls.</li><li>• Previous: Display the previous page of thumbnails.</li><li>• Next: Display the next page of thumbnails.</li></ul>
TV MENU	Using the remote, press to stop the slideshow and see a list of files and folders.
Numeric Keypad (0–9, +10)	Using the remote, enter a track number and then press ENTER to skip directly to it.

## ZOOM

Using the remote, press to increase the magnification level of the current photo. When magnification is greater than 100%, you can use the direction keys to pan around the photo.

Continue pressing ZOOM to return to a normal 100% view.

REPEAT	Using the remote, press to repeat the current photo or all photos in the folder.
PROGRAM	Using the remote, press to change the slideshow transition effect.

---

---

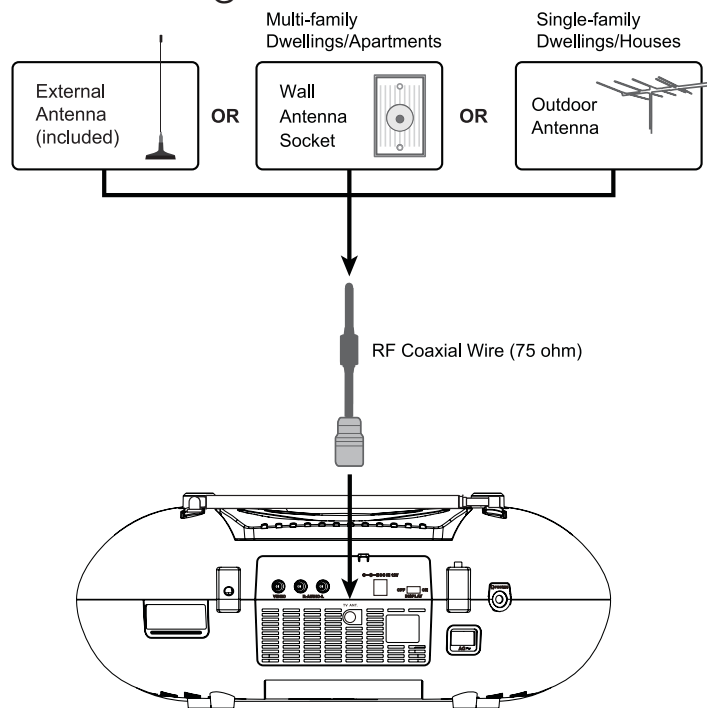
# TV Mode

To set the active source mode to TV:

1. Set the FUNCTION switch [1] to **TV/DVD/BT/AUX**.
2. Press MODE/TV MENU [4] to change from DVD to TV mode. "ATSC" will be displayed on the LCD screen while TV mode is starting.

**i** You must connect an antenna to the TV ANT connector found on the back of the unit. The built-in telescopic rod antenna is not used by the TV tuner. An external antenna is included in the box.

## Connecting an External Antenna



- Connect the included external antenna to receive TV signals. (The telescopic rod antenna cannot be used with the TV.)

- You may also connect to a 75 ohm coaxial cable antenna line from a wall socket or outdoor antenna. Larger antennas, powered antennas, and/or outdoor antennas will improve the TV signal.

### About Antennas and Channel Reception

TV channel reception can be affected by several things, including:

- Distance between the unit and the broadcaster
- Terrain and obstacles between the unit and broadcaster
- Interference from other devices or the weather

If you are having trouble receiving channels, you may need a larger antenna.

The Consumer Electronics Association and National Association of Broadcasters have established a website to help you learn about antenna types that may be suitable for your location and viewing preferences. Please visit [www.antennaweb.org](http://www.antennaweb.org) to learn more.

## Channel Search

Search for available channels and add them to the Channel list. You will need to add channels to the Channel list before using the TV.

1. Press and hold **MODE/TV MENU** to access the TV Menu. (The TV menu will automatically be displayed if this is the first time you are using the TV or if there are no channels in the Channel list.)
2. Press **FWD/UP** or **REV/DOWN** to select **Search Menu**; press **PLAY/PAUSE/ENTER/PAIR** to enter.
3. Press **FWD/UP** or **REV/DOWN** to select **Country**; press **PREV/LEFT** or **NEXT/RIGHT** to change the location (e.g., USA).
4. Press **FWD/UP** or **REV/DOWN** to select **Auto Search**; press **PLAY/PAUSE/ENTER/PAIR** to enter.
5. Wait for the unit to automatically find any station within reception range and to save them to the Channel list. Press and hold **MODE/TV MENU** to exit the TV Menu.



*Perform a new channel search when you change the location of the unit.*



## Watching TV

After you have searched for and added channels to the Channel list, you can do the following while watching TV:

FWD/UP (CH+)	Press to tune to the next channel in the channel list.
REV/DOWN (CH-)	Press to tune to the previous channel in the channel list.
PLAY/PAUSE/ENTER/PAIR	Press to view the channel list. Press again to pick a channel to watch.
PROGRAM	View the electronic program guide.
AUDIO	Press to change the audio track if the broadcast contains an alternate track (e.g., SAP/MTS programs).
Numeric Keypad (0-9)	Enter a channel number and then press ENTER to tune to a channel directly. To tune to a sub-channel, enter the entire channel number. For example, press "1" "3" "2" to tune to channel 13-2.
MODE/TV MENU	Press and hold to view the TV options menu.

## TV Options Menu

Adjust the options for the TV.

- While in TV mode, press and hold MODE/TV MENU [4] to access the TV Options menu.
- Use the direction keys to browse the menu screens and to adjust the options (PREV/LEFT, NEXT/RIGHT, FWD/UP, REV/DOWN).
- Press PLAY/PAUSE/ENTER/PAIR [11] to confirm a highlighted selection.
- Press and hold MODE/TV MENU [4] to go back to the previous level or screen.



*You may also use the arrow keys and the ENTER key on the remote control.*

## Search Menu Options

Country	Set the location of the unit.
Auto Search	Automatically find TV signals within reception range and save them to the Channel list. This will overwrite any previously saved Channel list.

Manual Search	Manually find a TV channel.
---------------	-----------------------------

## Config Menu Options

Picture	Adjust the aspect ratio and format of the TV broadcast.
Caption	Adjust closed caption display options.
OSD Language	Adjust the language used by the TV menus and display items.

## System Menu Options

Software Update	For use by qualified service personnel, only.
Information	Display system diagnostic information.
Restore Factory Default	Return all of the TV options to their default settings.

---



---

## Bluetooth® Mode

To set the active source mode to Bluetooth (BT):

1. Set the FUNCTION switch [1] to **TV/DVD/BT/AUX**.
2. Press MODE/TV MENU [4] to change from DVD to BT mode. The FM ST/PAIR indicator [17] will light up blue.


Use this mode to stream audio wirelessly from players with Bluetooth. Bluetooth devices may include laptops, tablets, smartphones, and more. Make sure that the device has its Bluetooth radio enabled and that it is set to be discoverable.

## Connecting a Device for the First Time (Pairing)

Before using a wireless device with Bluetooth, you will need to establish a connection between it and the Boombox. This process is called “pairing” and you will only have to do it once. Once two devices are paired, they will automatically connect when they detect each other.

1. When you set the Boombox to Bluetooth mode and it does not detect a paired device, it will automatically switch to pairing mode. The FM ST/PAIR indicator [17] will flash blue when the Boombox is in pairing mode.
2. On your Bluetooth device, go to its Bluetooth settings menu.
3. Have your Bluetooth device “search for devices”. Select the boombox (NAXA NDL-287) when it is found.  
Enter **0000** as a passkey if the device asks for one.
4. When pairing is complete, the Boombox will emit a soft tone and the FM ST/PAIR indicator will light a steady blue.

The boombox will automatically connect to your Bluetooth device next time as long as it has Bluetooth enabled, is within range, and is set to be visible to paired devices.

 *If the pairing process fails, the FM ST/PAIR indicator will flash slowly. Press PLAY/PAUSE/ENTER/PAIR [11] to return to pairing mode and then repeat steps 2–4.*



*There are many different Bluetooth enabled devices; we cannot provide instructions for all of them. Please refer to your device manufacturer’s instructions or website to learn more about connecting with Bluetooth.*

## Playing Connected Devices

Control playback from your Bluetooth device.

Set the volume level of the Bluetooth device to maximum, then adjust the volume to a comfortable level by turning the VOLUME dial [2] of the boombox.

Basic playback (such as play/pause, next, previous) may also be controlled by the boombox and its remote control if your Bluetooth device supports it.


---

## AUX Mode

To set the active source mode to AUX input:

1. Set the FUNCTION switch [1] to **TV/DVD/BT/AUX**.
2. Connect an audio player to the AUX IN jack [18] on the front of the unit with a 3.5 mm AUX cable (i.e., a 3.5 mm male-to-male stereo patch cable).

When the cable is plugged into the AUX IN jack, the unit will automatically detect it and switch to AUX mode.

 *Disconnect the cable from the AUX IN jack to return to DVD, TV, or Bluetooth mode.*

When an audio player is connected:


1. Set the volume level of the connected audio player to approximately 80%. Adjust the volume to a comfortable level by turning the VOLUME dial [2] of the unit.
2. Start and control playback with the audio player.

---

## USB/Card Mode

To set the active source mode to USB or CARD (SD):

1. Set the FUNCTION switch [1] to **TV/DVD/BT/AUX**.
2. Press and hold STOP/USB/CARD [10] to change from DVD to USB or CARD (SD). The LCD screen will display “Detecting Device” then show a list of files on your USB drive or SD card.

 *A USB drive or SD card with compatible media files must be present. If the unit cannot find a USB drive or SD card, it will return to DVD mode.*

*To change between USB, CARD, and DVD modes, press and hold STOP/USB/CARD.*

This unit will play digital media files from USB or SD memory cards. Refer to the Specifications section to learn more about media file compatibility.

When a USB/SD card is loaded that contains files, the unit will read it and then list all of the files and folders on the LCD screen.

- Use the direction buttons to browse the file/folder list; press PLAY/PAUSE/ENTER/PAIR [11] to select an item from the list.
  - If the item selected was a folder, the unit will display the contents of the folder.

If the item selected was a music, video, or photo file, the unit will start playback.

Playback controls for USB/Card mode are identical to those in DVD mode. Please refer to the following sections to learn more about the controls available to you during digital media playback:

- *DVD Mode > Playing Digital Music/Video Files*
- *DVD Mode > Playing Digital Photo Files*

---

## Radio (AM/FM) Mode

To set the active source mode to Radio, set the FUNCTION switch [1] to **RADIO**.



*To optimize reception when listening to stations on the FM band, extend the telescopic antenna to its full length. To optimize reception for AM band stations, gently move the unit around, or position the unit in an open place.*

### Tuning to a Radio Station

1. Select the band.
  - Set the BAND switch [14] to **AM** to tune to AM radio frequencies (kHz).
  - Set the BAND switch [14] to **FM** to tune to FM radio frequencies (MHz).
2. Tune to a station by turning the TUNING dial [13].



*The FM ST/PAIR indicator [17] will light red when the tuner is locked onto an FM stereo broadcast.*


---

---

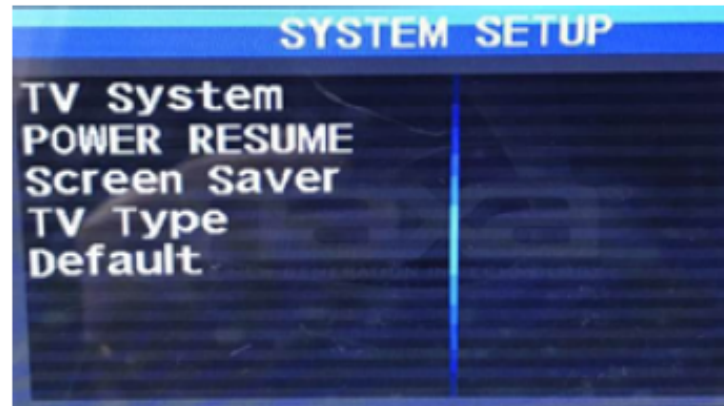
# Setup Menu

Access the Setup menu to adjust the player options.

- To access the Setup menu, open the disc door [7] and then set the FUNCTION switch to **TV/DVD/BT/AUX**. Press and hold MODE/TV MENU [4] to access the Setup menu.
  - The “Preference Page” options will not be available unless the player is stopped completely.
- Use the direction keys to browse the menu screens and to adjust the options (PREV/LEFT, NEXT/RIGHT, FWD/UP, REV/DOWN).
- Press PREV/LEFT [5] to go back to the previous level or screen.
- Press PLAY/PAUSE/ENTER/PAIR [11] to confirm a highlighted selection.

 *You may also use the arrow keys and the ENTER key on the remote control.*

## System Setup Page



- |           |   |
|-----------|---|
| TV System | <ul style="list-style-type: none"><li>• NTSC: Select this mode if the unit is connect to an NTSC-format TV (used in Tai, America, Canada, etc). It will convert the video signal of a PAL disc and output in NTSC format.</li><li>• PAL: Select this mode if the unit is connect to a PAL-format TV (used in China, Hong Kong, Europe, etc). It will convert the video signal of an NTSC disc and output in PAL format.</li><li>• AUTO: Select this mode to have the system detect the video signal of the disc and match the video signal output format to it.</li></ul> |
|-----------|---|

**Power Resume**

- On: During playback or in the paused/stopped mode when you open the disc tray, the unit will memorize the last playback time. The next time that you insert the same disc and close the disc tray to load the disc, the unit will play from the memorized point.
- Off: Disables this function.

**Screen Saver**

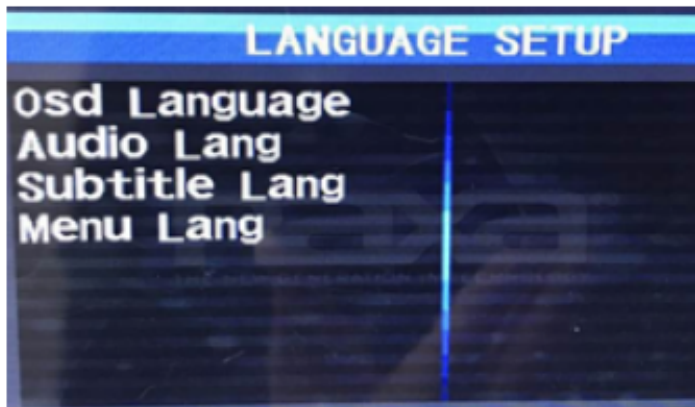
- On: If the image remains motionless on the screen for several minutes, (e.g., the disc is paused, stopped etc.) a screen saver will appear on the screen. Press any key to exit the screen saver.
- Off: Disables this function.

**TV Type**

- Normal/PS: Pan and Scan. The wide-screen image will be displayed on the screen in its naaspect ratio with some part on the left and right cut off.
- Normal/LB: Letterbox. The wide-screen image will be displayed in its native aspect ratio with black bands on the upper and lower sections of the screen.
- Wide: Widescreen (16:9). If the unit is connected to a widescreen TV set, select this option. The widescreen image will be displayed in full screen in its native aspect ratio while the 4:3 image will be stretched out horizontally to fit in the screen.

**Default** Reset: Restore all options to their factory- default state.

## Language Setup Page



**OSD Language** On screen display language. Set the language of the on-screen display and system menus with this item.

**Audio Lang** Select a preferred audio language. You can change the audio language by pressing the AUDIO key on the remote control.



If the selected language is not available for the disc, the disc's default setting will remain enabled.

**Subtitle Lang** Select a preferred subtitle language. You can change the subtitle language by pressing the SUBTITLE key on the remote control.

**i** If the selected language is not available for the disc, the disc's default setting will remain enabled.

**Menu Lang** Select a preferred subtitle language.

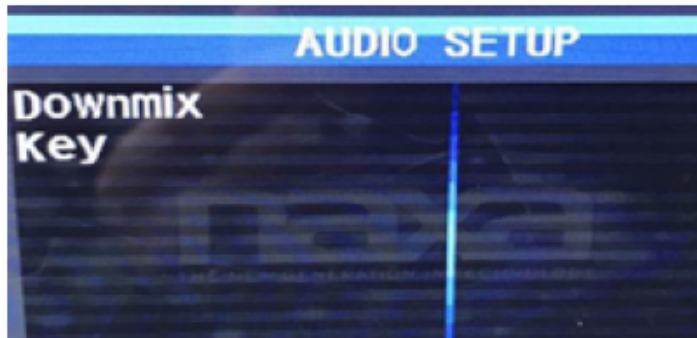
**i** If the selected language is not available for the disc, the disc's default setting will remain enabled.

**Downmix**

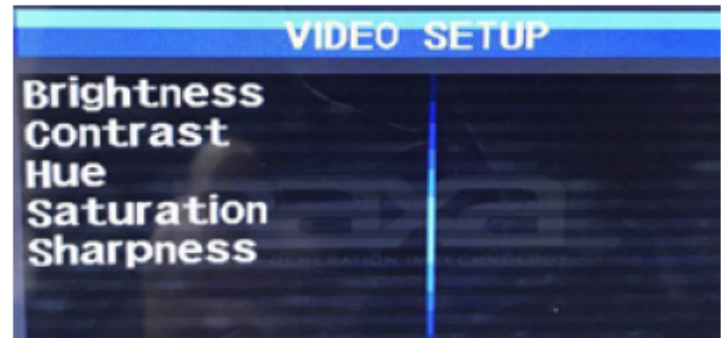
- Downmix > LT/RT: Rear surround audio is mixed together and output through both left and right speakers.
- Downmix > Stereo: Rear surround audio is kept in separate channels. Rear left audio is output through the left speaker; rear right audio is output through the right speaker.

**Key** Shift the key (pitch) for karaoke discs (+4, +2, 0, -2, -4).

## Audio Setup Page



## Video Setup Page





Panel Quality	<p>Apply image correction options in varying intensities. (Press PLAY/PAUSE/ENTER/PAIR [11] or ENTER to apply the image correction.)</p> <ul style="list-style-type: none"><li>• Brightness</li><li>• Contrast</li><li>• Hue</li><li>• Saturation</li><li>• Sharpness</li></ul>
---------------	---

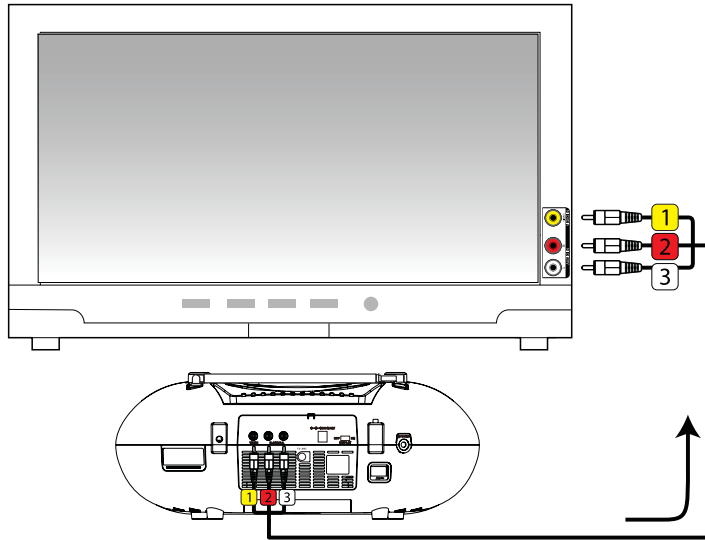
---

---

# Optional Connections

## Connect to a TV (AV Out)

Use your DVD boombox at home with a TV! The TV will need to be able to accept a composite video signal.



### With the included AV cable:

1. Connect the yellow plug of the cable to the yellow composite video input of the TV.
2. Connect the red plug of the cable to the red audio input (right) of the TV.
3. Connect the white plug of the cable to the white audio input (left) of the TV.
4. Connect the yellow, red, and white plugs on the other end of the cable to the A/V Out jacks on the back of the unit (i.e., Composite video out [27] (yellow) and Stereo audio out [28] (red and white)).
5. Turn the TV and the unit on.
6. Set the TV to display the composite video source. You will see the unit's output on the screen when the source is set correctly.



*Please refer to the owner's manual provided with the TV to learn how to set the display source.*

---

---

# About Optical Discs

## Disc Types

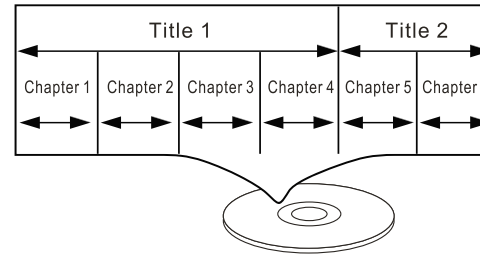
This player supports playback of the following media types and discs.

Type	Content Type
DVD	Audio + Video
MP3	Audio
CD	Audio
Video CD (VCD)	Audio + Video
Picture CD (JPEG)	Still Picture

This unit can play back optical discs or memory cards that contain MP3 or JPEG files. Discs and media types not listed above are not supported by this unit (e.g., PC CD-ROM, CD-Extra, CD-G, CD-I, etc.)

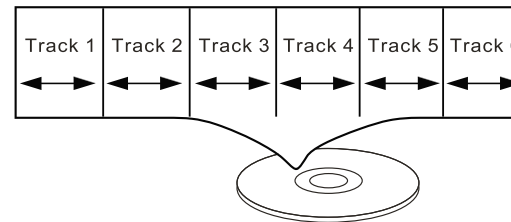
## Video DVDs

Data on most DVDs are divided into sections called titles, and then into subsections called chapters; each is given a title or chapter number.



## Audio CDs

Data on an audio CD is divided into sections called tracks; each is given a track number.



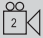
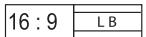




## Picture CDs (JPEG)

Data on a JPEG picture CD is usually not divided into separate folders. The picture files should appear in the root directory.

## DVD Features

Each DVD disc contains features that may vary depending upon the production of the disc. Some of the icons you may see that represent these features are shown below.

	Number of audio tracks
	Number of subtitles
	Angle indicator
	Screen format (aspect ratio)
	Zoom

 *Some of the DVD features enabled by this player depend on how the DVD was produced. Some features may not be enabled*

*if the disc does not support the feature, or it may require special settings. Check the features printed on the DVD package or follow the instructions found on the disc's on-screen menu.*

## DVD Region Codes

DVD discs and DVD players are manufactured under a compulsory worldwide agreement, the DVD Regional Code System. DVD players will only operate with DVD discs encoded with the same corresponding Regional Code.

Region 1	Canada, USA
Region 2	Europe (including Poland, Romania, Czech Republic), Japan, Middle East (including Saudi Arabia, Egypt, Iran, South Africa)
Region 3	East Asia (including Hong Kong, Taiwan, South Korea), Southeast Asia
Region 4	Australia, Caribbean, Central America, South America, Mexico, New Zealand
Region 5	Africa, the former Soviet Union, India, North Korea, Pakistan, Turkmenistan
Region 6	China

## Disc Care and Maintenance

Optical discs (DVDs, CDs) contain high-density compressed data and need proper handling.

### Handling a Disc

- Hold a DVD/CD by its edges. Avoid touching the recorded side of the disc. To remove a DVD/CD from its storage case, press down on the center retention mechanism of the case and lift the disc out.
- Do not bend or press discs.
- Do not subject discs to prolonged exposure to direct sunlight, high humidity, or high temperatures.
- To reduce the risk of scratches, always put discs back in their case after use. Store discs vertically in a cabinet.
- Do not place stickers or labels on either side of a disc.





### Cleaning a Disc

Use a dry, soft cloth to wipe off any fingerprints and dusts from the playing surface of the disc. Wipe in a straight line radially from the center to the outside edge of the disc. Small dust particles and light stains will not affect playback quality.



*Never use chemicals such as record sprays, anti-static sprays, benzene, or thinners to clean a disc. Doing so will damage the surface of the disc permanently.*

# Warnings and Precautions


	<b>CAUTION</b> WARNING: SHOCK HAZARD. DO NOT OPEN. AVIS: RISQUE DE CHOC ELECTRIQUE. NE PAS OUVRIR	
<b>CAUTION:</b> TO REDUCE THE RISK OF FIRE AND ELECTRIC SHOCK, DO NOT REMOVE THE COVER (OR BACK) OF THE UNIT. REFER SERVICING ONLY TO QUALIFIED SERVICE PERSONNEL.		



The lightning flash with arrowhead symbol within an equilateral triangle is intended to alert the user to the presence of uninsulated "dangerous voltage" within the product's enclosure that may be of significant magnitude to constitute risk of electric shock



The exclamation point within an equilateral triangle is intended to alert the user to the presence of important operation and servicing instructions in the literature accompanying the appliance.

<b>CLASS 1 LASER PRODUCT</b> CLASS 1 LASER PRODUCT APPAREIL LASER DE CLASSE 1 PRODUCTO LASER DE CLASE 1	<b>CAUTION</b> INVISIBLE LASER RADIATION WHEN OPEN AND INTERLOCKS DEFEATED. AVOID EXPOSURE TO BEAM	
This product contains a low power laser device.		

## On Protection Against Laser Energy Exposure

- As the laser beam used in this product is harmful to the eyes, do not attempt to disassemble the casing.
- Stop operation immediately if any liquid or solid object should fall into the cabinet.
- Do not put anything in the safety slot. If you do, the laser diode will be ON when the disc compartment door is still open.
- If the unit is not to be used for a long period of time, make sure that all power sources are disconnected from the unit. Remove all batteries from the battery compartment, and unplug the AC-DC adapter from the wall outlet. Make it a practice to remove the AC-DC adapter by grasping the main body and not by pulling the cord.
- This unit employs a laser. The use of controls or adjustment or performance of procedures other than those specified here may result in exposure to hazardous radiation.

## CAUTION

- Do not block the ventilation openings or holes.
- Do not place any naked flames (such as lighted candles) on the apparatus.
- When discarding batteries, follow all local rules and laws governing the disposal of batteries. Consider the environmental impact of your actions!
- Invisible laser radiation when open and interlock has failed or been defeated. Avoid direct exposure to beam.
- To prevent fire or shock hazard, do not expose this appliance to rain or moisture.

## Important Safety Information

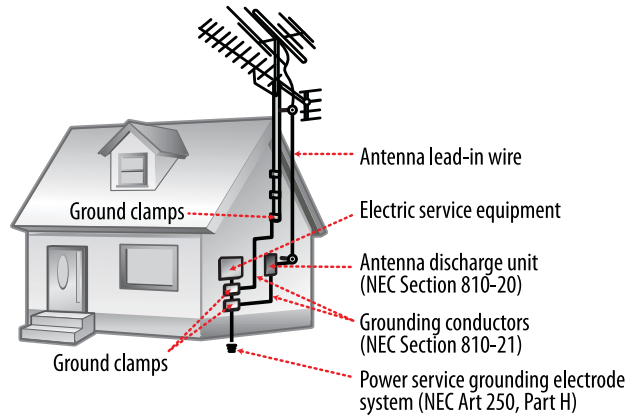
1. **Read Instructions:** All the safety and operating instructions should be read before the product is operated.
2. **Retain Instructions:** The safety and operating instructions should be retained for future reference.
3. **Heed Warnings:** All warnings on the product and in the operating instructions should be adhered to.
4. **Follow Instructions:** All operating and usage instructions should be followed.
5. **Cleaning:** Unplug this product from the wall outlet before cleaning. Do not use liquid cleaners or aerosol cleaners. Use a damp cloth for cleaning.
6. **Attachments:** Use only attachments recommended by the manufacturer. Use of other attachments may be hazardous.
7. **Water and Moisture:** Do not use this product near water (e.g., near a bathtub, washbowl, kitchen sink, laundry tub, in wet basements, or near a swimming pool and the like).
8. **Accessories:** Do not place this product on an unstable cart, stand, tripod, bracket, or table. Use only with carts, stands, tripods, brackets, or tables recommended by the manufacturer or sold with the product. Any mounting of the product should follow the manufacturer's instructions and should use a mounting accessory recommended by the manufacturer. A product and cart combination should be moved with care. Quick stops, excessive force, and uneven surfaces may cause the product and cart combination to overturn.
9. **Ventilation:** Slots and openings in the cabinet are provided for ventilation to ensure reliable operation of the product and to protect it from overheating. These openings should never be blocked by placing



the product on a bed, sofa, rug, or other similar surface. This product should not be placed in a built-in installation such as a bookcase or rack unless proper ventilation is provided or the manufacturer instructions have been adhered to.

10. **Power Sources:** This product should be operated only from the type of power source indicated on the rating label. If you are not sure of the type of power supply to your home, consult your product dealer or local power company. For products intended to operate from battery power or other sources, refer to the operating instructions.
11. **Grounding or Polarization:** This product may be equipped with a polarized alternating-current line plug that has one blade wider than the other. This plug will only fit into the power outlet in one direction. This is a safety feature. If you are unable to insert the plug fully into the outlet, try reversing the direction of the plug. If the plug should still fail to fit, contact an electrician to replace the obsolete outlet. Do not defeat the safety purpose of the polarized plug.
12. **Power-Cord Protection:** Power supply cords should be routed so that they are not likely to be walked on or pinched by items placed upon or against them, paying particular attention to cords at plugs, convenience receptacles, and at the point which they exit from the product.
13. **Protective Attachment Plug:** The product may be equipped with an attachment plug with overload protection. This is a safety feature. See the operating instructions for replacement or directions to reset the protective device. If replacement of the plug is required, be sure the service technician has used a replacement plug that has the same overload protection as the original plug as specified by the manufacturer.
14. **Outdoor Antenna Grounding:** If an outside antenna is connected to the product, be sure the antenna system is grounded so as to provide some protection against voltage surges and built-up static charges. Article 810 of the National Electrical Code, ANS/NFPA70 provides information with regard to proper grounding of the mast and support-

ing structure, grounding of the lead-in wire to an antenna-discharge unit, size of grounding conductors, location of antenna-discharge unit, connection to grounding electrodes, and requirements for the grounding electrode (see figure).



15. **Lightning:** For added protection for this product, unplug it from the wall outlet and disconnect the antenna or cable system during a lightning storm or when it is left unattended and unused for long periods of time. This will prevent damage to the product due to lightning or power-line surges.
16. **Power Lines:** An outside antenna system should not be located in the vicinity of overhead power lines or other electric light or power circuits, or where it can fall into such power lines or circuits. When installing an outside antenna system, extreme care should be taken to keep from touching such power lines or circuits, as contact with them might be fatal.

17. **Overloading:** Do not overload wall outlets, extension cords, or integral convenience receptacles as this can result in a risk of fire or electric shock.
18. **Object and Liquid Entry:** Never push objects of any kind into this product through openings as they may touch dangerous voltage points or short-out parts that could result in a fire or electric shock. Never spill liquid of any kind on the product.
19. **Service:** Do not attempt to service this product yourself as opening or removing covers may expose you to dangerous voltage or other hazards. Refer all servicing to qualified service personnel.
20. **Damage Requiring Service:** Unplug this product from the wall outlet and refer servicing to qualified service personnel under the following conditions: a) when the power-supply or plug is damaged; b) if liquid has been spilled or if objects have fallen into the product; c) if the product has been exposed to rain or water; d) if the product does not operate normally by following the operating instructions. Adjust only those controls that are covered by the operating instructions as improper adjustment of other controls may result in damage and will often require extensive work by a qualified technician to restore the product to its normal operation; e) if the product has been dropped or damaged in any way; f) when the product exhibits a distinct change in performance—this indicates a need for service.
21. **Replacement Parts:** When replacement parts are required, be sure that your service technician has used replacement parts specified by the manufacturer or have the same characteristics as the original part. Unauthorized substitutions may result in fire, electric shock, or other hazards.
22. **Safety Check:** Upon completion of any service or repairs to this product, ask the service technician to perform safety checks to ensure that the product is in proper operating condition.



23. Wall or Ceiling Mounting: The product should be mounted to a wall or ceiling only as recommended by the manufacturer.

24. Heat: The product should be situated away from heat sources such as radiators, heat registers, stoves, or other products (including amplifiers) that produce heat.

### FCC NOTICE

This device complies with Part 15 of the FCC Rules. Operation is subject to the following two conditions: (1) this device may not cause harmful interference, and (2) this device must accept any interference received, including interference that may cause undesired operation.

Note: This equipment has been tested and found to comply with the limits for a Class B digital device, pursuant to Part 15 of the FCC Rules. These limits are designed to provide reasonable protection against harmful interference in a residential installation. This equipment generates, uses and can radiate radio frequency energy and, if not installed and used in accordance with the instructions, may cause harmful interference to radio communications. However, there is no guarantee that interference will not occur in a particular installation. If this equipment does cause harmful interference to radio or television reception, which can be determined by turning the equipment off and on, the user is encouraged to try to correct the interference by one or more of the following measures:

- Reorient or relocate the receiving antenna.
- Increase the separation between the equipment and receiver.
- Connect the equipment into an outlet on a circuit different from that to which the receiver is connected.
- Consult the dealer or an experienced radio/TV technician for help.

### CAUTION ON MODIFICATIONS

Any changes or modifications not expressly approved by the grantee of this device may void the authority granted by the FCC to operate the equipment.

### WARNING:

This product contains lead, a chemical known to the State of California to cause cancer and birth defects or other reproductive harm. ***Wash hands after handling.***

---

---

# Troubleshooting

## Unable to play a disc

The disc is loaded incorrectly in the disc tray.	Check that the disc is placed in the disc tray with its label side facing up.
--	---

The disc is incompatible with the unit.	Load a compatible disc. Refer to the "About Optical Discs" section of this manual to review disc compatibility requirements.
---	--

The disc is dirty or damaged.	Try cleaning the disc. A disc may be unplayable if it is too scratched or otherwise damaged.
-------------------------------	--

## The unit will not turn on.

There is no power.	Please check that the AC or DC power cord is connected securely and that the outlet is providing power.
--------------------	---

## The remote control does not function

There is no battery in the remote control or the battery has lost its charge.	Install two new "AAA" batteries in the remote control.
---	--

The remote control isn't pointed at the remote sensor.	Make sure that there are no large objects between the remote control and the sensor on the front panel of the unit.
--	---

The remote control is beyond its working distance.	Make sure the remote control is within 15 feet of the sensor.
--	---

The unit has shut down.	Switch the unit off and disconnect it from the AC outlet. Then, reconnect the power and switch it on again.
-------------------------	---

**There is no picture, the picture is distorted, or the buttons on the unit are not working.**

The TV type option is set incorrectly.

Reset the player to its factory default settings.

1. Turn the unit off and then back on.
2. Open the disc compartment.
3. Press and hold **MODE/TV MENU**.
4. Press **PREV/LEFT** once.
5. Press **REV/DOWN** seven times.
6. Press **PLAY/PAUSE/ENTER/PAIR** twice.

The TV type option will be reset to AUTO.

The disc might be scratched, dirty, or warped.

Try cleaning the disc. A disc may be unplayable if it is too scratched or otherwise damaged.

The battery level might be low.

Connect the unit to power with one of the included power adapters or replace the batteries with new ones.

Static electricity may have interfered temporarily with the operation of the unit.

Switch off and unplug the unit. Then reconnect the unit to power and switch it on again.

---

---

# Specifications

Screen Type	7" TFT LCD Resolution: 800 x 480 Brightness: 230 cd/m2 (typical) Contrast ratio: 400:1 (typical)
Speakers	Twin speakers with full-range drivers RMS: 5 W Peak: 8 W
Disc Support	DVD, DVD±R/RW, CD, CD-R/RW
Removable Memory Support	USB, SD/SDHC (max 32 GB)
Playable Media Formats	Video: MPEG-2 (DVD), MPEG-1 Audio: CD-audio, MP3, WMA, AC-3, OGG
Broadcast Tuner	AM/FM radio (analog) Digital ATSC TV
Output	RCA composite video RCA stereo audio 3.5 mm headphone
Input	Bluetooth 2.1 + EDR Coaxial RF (TV Antenna) 3.5 mm AUX audio 3.5 mm microphone

Power Source	AC 120 V DC 12 V 8 "C" size batteries (not included)
Operating Power	20 W
Standby Power	2.8 W

Note: Product are improved continuously. We reserve the right to modify the product and specifications without prior notice.

---

---

# Support

If you have problems with your device, please consult the instructions in this manual. Please also visit us on the web at [www.naxa.com](http://www.naxa.com) to get up to the minute news, alerts, and documentation for your device. For additional assistance, please contact Naxa Technical Support.

## **NAXA Technical Support**

2320 East 49th St.

Vernon, CA 90058

[http://www.naxa.com/naxa\\_support/](http://www.naxa.com/naxa_support/)

