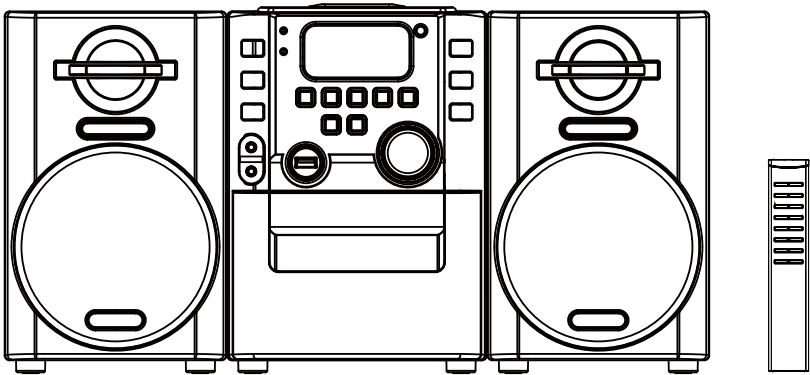




INSTRUCTION MANUAL

PORTABLE CD/MP3/USB PLAYER WITH FM PLL RADIO
MODEL: NPB-431



IMPORTANT: Please read before using and keep for future reference.

IMPORTANT SAFETY INSTRUCTIONS

INTRODUCTION

- Thank you for buying this product.
- Please read through these operating instructions, so you will know how to operate your equipment properly. After you finished reading the instructions manual, put it in a safe place for future reference.

CAUTION

Use of controls or adjustment or performance of procedures other than those specified herein may result in hazardous radiation exposure.

DANGER




CLASS 1 LASER PRODUCT
LUOKAN 1 LASERLAITE
KLASS 1 LASERAPPARAT

This Compact disc player is classified as a Class 1 LASER PRODUCT. THE CLASS 1 LASER PRODUCT label is located on the rear exterior.

NOTE: The manufacturer is not responsible for any radio or TV interference caused by unauthorized modifications.

WARNING:

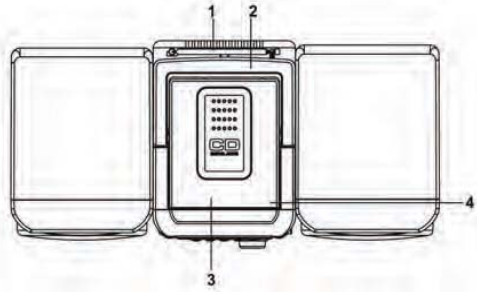
TO PREVENT FIRE OR SHOCK HAZARD. DO NOT EXPOSE THIS APPLIANCE TO RAIN OR MOISTURE.

		
<p>This lightning flash with arrowhead symbol, within an equilateral triangle, is intended to alert the user to the presence of insulated dangerous voltage within the products enclosure that may be of sufficient magnitude to constitute a risk of electric shock presents.</p>	<p>Warning: to reduce the risk of electric shock, do not remove cover (or back) no user - serviceable part inside. Refer servicing to qualified service personnel.</p>	<p>The exclamation point within an equilateral triangle is intended to alert the user to the presence of important operating and maintenance (servicing) instructions in the literature accompanying the appliance.</p>

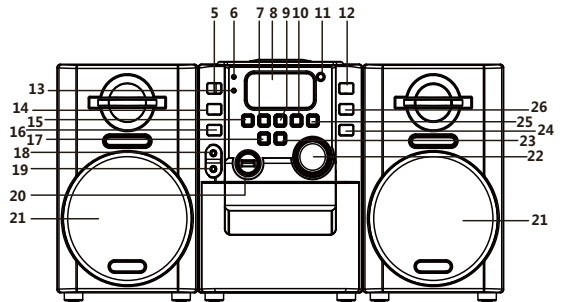
- Avoid installing the unit in locations described below:
 1. Places exposed to direct sunlight or close to heat radiating appliances such as electric heaters, or other equipments that radiate too much heat.
 2. Places subjected to constant vibration.
 3. Unventilated or dusty places.
 4. Humid or moist places.
- Operate buttons and switches as instructed in the manual.
- Before turning on the power for the first time, make sure that the power cord is properly installed and the voltage switch is correctly set.
- Protect the power cord from being walked on or pinched particularly at the plugs, convenience receptacles, and at the point where it exits from the apparatus.
- Unplug the apparatus during lightening sorts or when unused for long periods of time.
- Do not block any ventilation openings.
- Refer all servicing to qualified personnel.

NAMES OF CONTROLS

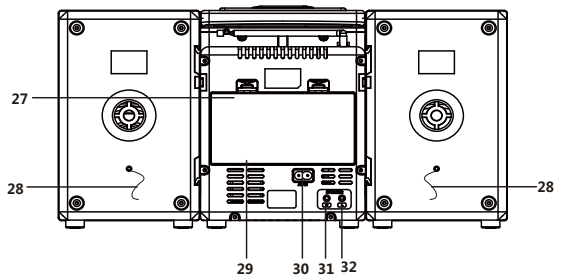
1. FM TELESCOPIC ANTENNA
2. FOLDING HANDLE
3. CD COMPARTMENT
4. CD DOOR OPEN/CLOSE
5. STANDBY BUTTON
6. STANDBY INDICATOR
7. PLAY/PAUSE BUTTON
8. LCD DISPLAY
9. STOP BUTTON
10. SKIP SEARCH BACKWARD/TUN.-
BUTTON



11. REMOTE SENSOR
12. MEM.+ BUTTON
13. FM ST. INDICATOR
14. FUNCTION BUTTON
15. P-MODE BUTTON
16. EQ BUTTON
17. -10/FOLD.- BUTTON
18. AUX IN JACK
19. PHONES JACK
20. USB PORT
21. SPEAKERS
22. VOLUME KNOB
23. +10/FOLD.+ BUTTON
24. PROG./MEM. BUTTON
25. SKIP SEARCH FORWARD/TUN.+
BUTTON



26. MEM.- BUTTON
27. BATTERY DOOR
28. SPEAKER CONNECTORS
29. AC VOLTAGE SELECTOR
30. AC SOCKET
31. SPERKER LINE JACK OF THE
RIGHT
32. SPERKER LINE JACK OF THE LEFT



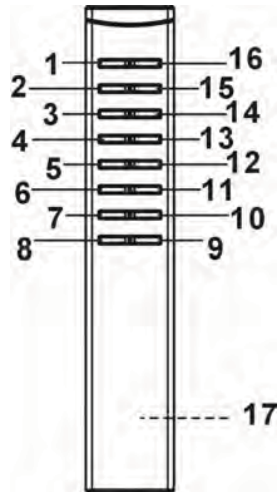
REMOTE HANDSET

LOADING THE BATTERIES INTO THE REMOTE HANDSET

- Open the battery compartment cover.
- Insert two “AAA” batteries (not included) as indicated inside the battery compartment.
- Close the cover.

Key Functions:

1. FUNCTION BUTTON
2. PROG./MEM. BUTTON
3. STOP BUTTON
4. SKIP SEARCH BACKWARD/TUN.- BUTTON
5. -10/FOLD.- BUTTON
6. MEM.- BUTTON
7. MUTE BUTTON
8. VOL- BUTTON
9. VOL+ BUTTON
10. EQ BUTTON
11. MEM.+ BUTTON
12. +10/FOLD.+ BUTTON
13. SKIP SEARCH FORWARD/TUN.+ BUTTON
14. PLAY/PAUSE BUTTON
15. P-MODE BUTTON
16. STANDBY BUTTON
17. BATTERY COMPARTMENT



REMOTE CONTROL OPERATION

To operate the unit with the remote control, point the remote handset at the remote sensor on the front panel and press the appropriate button on the remote handset.

The remote works best within a range of 6 ~ 7 meters from the front panel and on an angle of 30 degrees. Bright sunlight or room light conditions can interfere with the remote control. If the remote operation is unsatisfactory or stops working entirely, first try replacing the remote batteries, then try reducing the room lighting conditions.

POWER SUPPLY

1. AC OPERATION

- PLUG THE AC LINE CORD INTO ANY NORMAL HOUSEHOLD AS MAINS OUTLET IN CORRECT VOLTAGE AND THE MAINS SOCKET.
- THE BATTERIES WILL BE AUTOMATICALLY DISCONNECTED.
- FOR DUAL VOLTAGE VERSION, MAKE SURE THAT THE AC VOLTAGE SELECTOR (LOCATED ON THE BOTTOM OF THE UNIT) IS SWITCHED TO YOUR LOCAL VOLTAGE.

2. BATTERY OPERATION

- REMOVE THE BATTERY COMPARTMENT DOOR.
- INSERT 8 PIECES UM-1 (D SIZE) BATTERIES INTO THE BATTERY COMPARTMENT WITH BATTERY POLARITY POSITIONED AS INDICATED.
NOTE: WE RECOMMEND THE USE OF ALKALINE BATTERIES.
- CLOSE THE BATTERY COMPARTMENT DOOR.

BASIC FUNCTION

SPEAKER CONNECTION

Before switching on the unit, please plug the two speakers firstly! Plug each speaker to the corresponding speaker jack on the back panel of the main unit. Make sure that the left speaker is plug to the left pair of speaker terminals and the right speaker to the right pair of speaker terminals. Also make sure that the speaker wires are plug that the left wires are plug to the “L” jack and the right wires to the “R” jack.

SWITCHING ON THE UNIT

Note: Before switching on the unit, please make sure that all connections have been got ready and the voltage is correct set.

The STANDBY indicator is illuminated.

Press the **STANDBY** button on the unit or on the remote control to switch the unit on. Press the **FUNCTION** button to CD, USB, AUX, or FM to enter operating.

TO ADJUST VOLUME

Rotate the **Volume Knob** on the unit or press the **VOL.+ /VOL.-** button on the remote control to increase or decrease the volume.

Press **MUTE** button on the remote control to switch off the sound. Press again to turn on.

HEADPHONES

For private listening, plug the headphones/earphones (not included) into PHONES jack (3.5 mm diameter).

CAUTION: Long time listening with headphones/earphones at high volume may cause harmful damage to user’s ears.

Built-in Different Equalizer System

This unit has a built-in equalizer system, press the **EQ** button on the main unit or on the remote control while playing to select different music style (sound tone): FLA, ROC, POP, JAS, and CLA.

RADIO OPERATION

TUNING IN RADIO STATIONS

1. Press the **FUNCTION** button on the unit or on the remote control to RADIO mode.
2. Tune to preferred radio station by pressing the **▶▶/TUN.+** or **◀◀/TUN.-** button, the display will show the band frequency. Example: FM 97.9 MHz.
3. Press and hold the **▶▶/TUN.+** or **◀◀/TUN.-** BUTTON, the unit will scan the frequencies until a broadcasting station strong enough for good reception is found.
4. Rotate the **VOLUME CONTROL** to comfortable volume level.
5. Extend FM TELESCOPIC ANTENNA to its full length if you are listening to FM broadcasting.
Note: When you are receiving FM stereo program, the FM stereo indicator will be illuminated.
6. To turn off the radio, press the **FUNCTION** button to turn to other modes, or switch off the unit by pressing the **STANDBY** button.

RADIO AUTO SCAN (SEARCH)

Press and hold the **▶|** button on unit or on remote control for about 2 seconds, the unit will conduct auto scan and program until having found a strong signal. The unit will start to broadcast the P01 after searching finished. Press the **MEM.+** or **MEM.-** button on unit or on remote to choose the next or previous programmed station.

RADIO STATION MEMORY OPERATION

You may pre-store 30 FM radio stations in memory for your preference.

1. Use the **▶▶/TUN+** or **◀◀/TUN-** button to tune to the station that you want to save as a preset (e.g., 93.1).
2. Press **PROG./MEM.** button on the unit or on remote control, "P01" shows on the display. Then press the **MEM.+** or **MEM.-** button to select the first storing location.
3. Press **PROG./MEM.** button again to store.
4. Search another station, repeat steps (2) & (3) until all desired stations stored. Up to 30 stations can be programmed.
5. Press **MEM.+** or **MEM.-** button to listen to the stored station directly.

CD/MP3 OPERATION

Discs for playback

This system can playback all digital audio CD/MP3/WMA discs, finalized digital audio CD-Recordable (CD-R) discs and finalized digital audio CD-Rewritable (CD-RW) discs.

LOADING A DISC

1. Press the **FUNCTION** button to select CD function.
2. Open the CD door. "**OP**" will be shown on the display.
3. Place an audio CD/MP3 into the tray with the label side facing up.
4. Close the CD door, the total number of tracks will appear in the display after several seconds.
5. To remove the CD, open the CD compartment lid, grasp the CD by its edges, and carefully take it out.

Note:

- To ensure good system performance; wait until the disc tray completely reads the disc before proceeding.
- If no disc is loaded into the compartment, or the disc is placed upside down, the display will show "**no**".

PLAYING A DISC

1. Press the **PLAY/PAUSE** button to start playback. The playback starts from track 1, “▶” will appear on the display.
2. To interrupt playback, press the **PLAY/PAUSE** button, “▶” and the play time will flash on the display.
3. To resume playback, press the **PLAY/PAUSE** button again.
4. To stop playback, press the **STOP** button, the total number of tracks appears in the display.

SELECTING A DESIRED TRACK/PASSAGE

To select a desired track

- Press the **▶▶/TUN+** or **◀◀/TUN-** button repeatedly in stop mode or during play until the desired track appears on the display.
- Press the **PLAY/PAUSE** button to start play.

To search for a particular passage during playback (track scanning at high speed)

- Press and hold the **▶▶/TUN+** or **◀◀/TUN-** button to scan the current playing track at high speed until desired point (passage), then release the button.
- Playback will start again from this point.

To select a song which track number exceeds 10 (for MP3 only)

To select a song/track which number exceeds 10, press the **+10/FOLD.+** or **-10/FOLD.-** button on the unit or on remote control, then press the **▶▶/TUN+** or **◀◀/TUN-** button to select desired track.

To select a desired folder (for MP3 disc only)

Press and hold the **+10/FOLD.+** or **-10/FOLD.-** button on the unit or on the remote control to skip next/previous folder.

REPEAT

You can play one track or all tracks on the disc repeatedly.

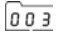
To Repeat a Single Track

1. Press the **P-MODE** button once in play, “REPEAT” shows flashing on the display. The current track will be played over and over again till you press the **STOP** button.
2. To cancel repeat play, press **P-MODE** button until “REPEAT” disappears from the display.

To repeat all the Tracks

1. Press **P-MODE** button until the “REPEAT” shows steady on the display, all tracks on the disc will be played over and over again till you press the **STOP** button.
2. To cancel repeat play, press the **P-MODE** button until “REPEAT” disappears from the display.

To repeat the folder (only for MP3 disc which contains more than one folder)

1. Press the **P-MODE** button until the “REPEAT” and the local folder (For Example ) shows steady on the display, the folder which is currently being played will be repeated over and over again till you press the **STOP** button.
2. To cancel repeat play, press the **P-MODE** button until “REPEAT” and the local folder disappears from the display.

Note: During playback, the display will show the track number and play time cyclically.

RANDOM PLAY

Press the **P-MODE** button repeatedly until "RANDOM" appears on the display, the random play will start from next track automatically, until all tracks are played over and then stop. To cancel random function, press the **P-MODE** button again, the "RANDOM" indicator will disappear on LCD display.

PROGRAM TRACKS

Programming tracks of disc are possible when playback is stopped. Up to 20 tracks for CD Disc and 99 tracks for MP3 Disc can be stored in the memory in any order.

1. In stop mode, press the **PROG./MEM.** button, the PROG will flash and the P01 will show on display.
2. Press the **▶▶/TUN+** or **◀◀/TUN-** button to select the first desired track to be programmed.
3. Press the **PROG./MEM.** button to enter. The display shows P02.
4. Repeat steps 2 & 3 to store other desired tracks until all tracks programmed.
5. Press the **PLAY/PAUSE** button to start playback from the first programmed track.
6. Press the **STOP** button to stop program playback.

To Erase the Memory (Program)

To clear the program, you have two options:

1. In stop mode, press **STOP** button the "PROG" indicator will disappear on the display, or
2. Open the CD compartment lid, program will be erased.

USB OPERATION

1. Press the **FUNCTION** button to select USB mode.
2. Connect the USB Flash Disk Device into the USB PORT.
3. If the USB is readable, the display will show USB and the total number of tracks.
4. The playback starts from track 1.
5. Press the **STOP** button to stop playing. The display will show total number of tracks.
6. You may proceed repeat play (repeat-1 / repeat-folder / repeat-all) / program play / random play operation as the same described in above "CD OPERATION".

CAUTION:

- ▶ Do not use any USB extension cable for connecting the USB stick which may cause harmful interference
- ▶ In case of malfunction due to electrostatic discharge, just reset the product (reconnect of power source may be required) to resume normal operation.

AUX-IN OPERATION

This unit has provided 3.5MM AUX jack, through this jack other audio sources can be connected to this unit and be amplified.

1. Press the **FUNCTION** button to select AUX function.
2. Connect the audio cable (not included) into the AUX-IN jack and the other end connect to the AUDIO OUT jack of the external audio source.
3. Adjust the volume of the main unit to your desired level.
4. Press **PLAY** of the external audio source to start playback.

SPECIFICATIONS

GENERAL

Power Requirement	AC 110/220V-50/60Hz (Selectable)
Power consumption	AC 25 Watts
	DC 12V UM-1 "D" SIZE x 8PCS
Weight.....	Approx. 3.8kg
Unit Dimension.....	Approx. 172mm(L) x 229mm(H) x 230mm(W)
Dimension of Each Speaker.....	Approx. 138mm(L) x 182mm(H) x 227mm(W)
Operation temperature.....	+5 °C - +35 °C

RECEIVER SECTION

Receiving Bands.....	FM
Tuning Range.....	FM 87.5-108 MHz

COMPACT DISC SECTION

Optical Pickup.....	3-Beam Laser
Frequency Response.....	100Hz - 16KHz

CASSETTE SECTION

Recording System.....	2 Tracks 2 Channels (Stereo)
Biasing System.....	DC bias
Frequency Response	125 -6.3 K H z
Wow And Flutter	0.35% WRMS (JIS)

AUDIO SECTION

Power output	Maximum 4 Watts x 2
Headphone Impedance	32 Ohms

ACCESSORIES

Instruction Booklet.....	1
Remote Control.....	1
AC Cord.....	1

Specifications are subject to change for continuous improvement, we reserve the rights to modification without prior notice.

SUPPORT

If you have problems with your device, please consult the instructions in this manual. Please also visit us on the web at www.naxa.com to get up-to-the-minute news, alerts, and documentation for your device. For additional assistance, please contact Naxa Technical Support.

Naxa Technical Support

2320 East 49th St.
Vernon, CA 90058
(866) 411-6292
<http://www.naxa.com/supportcenter/>

FCC NOTICE

This device complies with Part 15 of the FCC Rules. Operation is subject to the following two conditions: (1) this device may not cause harmful interference, and (2) this device must accept any interference received, including interference that may cause undesired operation.

Note: This equipment has been tested and found to comply with the limits for a Class B digital device, pursuant to Part 15 of the FCC Rules. These limits are designed to provide reasonable protection against harmful interference in a residential installation. This equipment generates, uses and can radiate radio frequency energy and, if not installed and used in accordance with the instructions, may cause harmful interference to radio communications. However, there is no guarantee that interference will not occur in a particular installation. If this equipment does cause harmful interference to radio or television reception, which can be determined by turning the equipment off and on, the user is encouraged to try to correct the interference by one or more of the following measures:

- Reorient or relocate the receiving antenna.
- Increase the separation between the equipment and receiver.
- Connect the equipment into an outlet on a circuit different from that to which the receiver is connected.
- Consult the dealer or an experienced radio/TV technician for help.