



Instruction Manual

Please read carefully before use and keep for future reference.

Table of Contents

Thank You	3	Cleaning the Unit.....	9
In the Box.....	3	Warnings and Precautions.....	10
Before You Start.....	4	Specifications.....	14
At a Glance.....	5	Support	14
Connect Power	6		
AC Power.....	6		
Battery Power	6		
Radio Operation	7		
Basic Function.....	7		
Audio Playback.....	8		
Antenna.....	8		
Headphone Jack.....	9		

Thank You

We know you have many choices when it comes to technology; thank you for choosing us here at Naxa Electronics. Established in 2001 in Los Angeles, California, we are dedicated to delivering products that entertain and delight.

We trust that you will be happy with your purchase. Please read this manual carefully and save it for reference. You may also find the latest FAQ, documentation, and other product material at our website. Come visit us on the web at www.naxa.com and see all that we have to offer!

In the Box

Please take a moment to make sure that you have everything in the list below. Although we make every effort to ensure that each Naxa device is securely packed and sealed, we know a lot can happen in between us and you. If anything is missing, check back with your local retailer to get immediate assistance. If they cannot help you, please contact our Naxa Support team at www.naxa.com/naxa_support.

- NPB-277 Cassette Radio Player
- AC power cable
- User manual

Before You Start

Please take note of the following before you start.

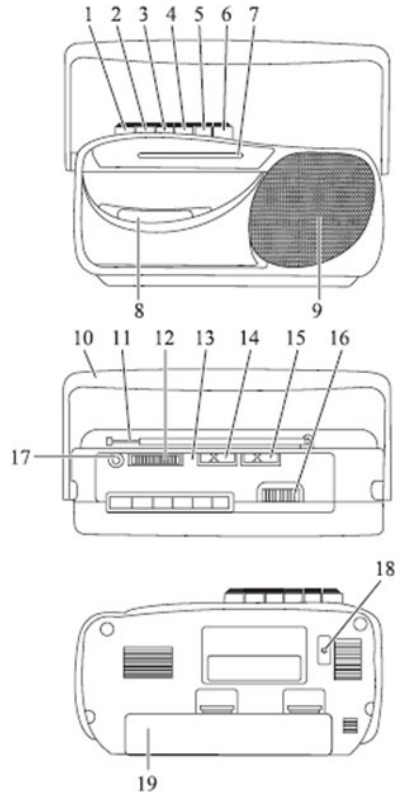
- Do not block the ventilation openings or holes.
- Avoid installing the unit in locations described below:
 - Places exposed to direct sunlight or close to heat radiating appliances (such as electric heaters, or on top of other stereo equipment that radiate heat).
 - Places lacking ventilation or dusty places.
 - Places subject to constant vibration.
 - Places that are humid or moist.
- Operate turning controls and switches as instructed in manual.
- Before turning on the power for the first time, make sure that the power cord is properly installed.
- Store your tapes or CD in a cool area to avoid damage from heat.

CAUTION: TO REDUCE THE RISK OF ELECTRIC SHOCK, DO NOT REMOVE COVER (OR BACK). NO USER SERVICEABLE PARTS INSIDE, REFER SERVICING TO QUALIFIED SERVICE PERSONNEL.

WARNING: Remove batteries if exhausted or if they will not be used again for a long period. The incorrect use of batteries can cause electrolyte leakage and will corrode the compartment or cause the batteries to burst, therefore:

- Do not mix battery types, e.g., alkaline with zinc carbonate.
- When inserting new batteries, replace all batteries at the same time.

At a Glance



1. PAUSE BUTTON
2. STOP/EJECT BUTTON
3. FAST FORWARD BUTTON
4. REWIND BUTTON
5. PLAY BUTTON
6. RECORD BUTTON
7. RADIO DIAL SCALE
8. CASSETTE COMPARTMENT
9. SPEAKER
10. HANDLE
11. TELESCOPIC ANTENNA
12. VOLUME KNOB
13. MIC (MICROPHONE)
14. FUNCTION SELECTOR (TAPE/RADIO)
15. BAND SWITCH (AM/FM)
16. TUNING KNOB
17. HEADPHONE JACK
18. AC IN JACK
19. BATTERY COMPARTMENT

Connect Power

The unit can be powered by AC household power, or by batteries.

AC Power

This unit operates on AC 120 V ~60 Hz power.

With the included AC power cable, connect the AC power jack [18] found on the rear of the player to a wall power outlet that provides AC 120V ~60Hz power.



Please be sure the power outlet you plug this unit into is working and receives constant (unswitched) power.

Contact your local power utility if you are not sure which type of power you have.



Do not attempt to operate the radio on any other power source. You could cause damage to the unit and void your warranty.

Battery Power

Install 4 “D” size batteries to enjoy music wherever you are.

1. Remove the lid from the battery compartment [19] found on the bottom of the main unit.
2. Load 4 “D” size batteries, taking care to match the polarities marked on the inside of the compartment.



Remove the batteries if they are exhausted or will not be used for a long time.

Batteries contain chemicals that may be regulated by your local government. Dispose of them properly according to regulations.

Radio Operation

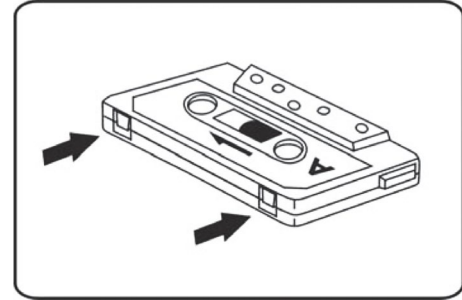
Basic Functions

1. Slide the FUNCTION SELECTOR (14) to RADIO position to turn on radio.
2. Slide the BAND SWITCH (15) to AM or FM as desired.
3. Turn the TUNING KNOB (16) to receive the desired radio station.
4. Turn the VOLUME KNOB (12) to adjust the volume level.
5. When finished listening, slide the FUNCTION SELECTOR (14) to TAPE position to turn off the unit.

Recording

1. Slide the FUNCTION SELECTOR (14) to TAPE position.
2. Press the STOP/EJECT BUTTON (2) to open the cassette door.
3. Insert a blank cassette tape in the slot on cassette door (Magnetic tape face up).

Note: Make sure the erase prevention tab on the top of the tape had not cut off as figure below. Otherwise, the tape can't be used for recording.



4. Close the cassette door.
5. In stop mode, press the REWIND (4) or F.FWD BUTTON (3) to select the location on the tape where to start recording then press the STOP BUTTON (2) to stop.
6. Press the RECORD BUTTON (6) to start recording. Speak into the built-in microphone.
7. When finished, press the STOP BUTTON (2) to stop recording and shut off the unit.

Note: To record the radio program, slide the FUNCTION SELECTOR (14) to RADIO. Find the desired radio station and start to record using Steps 1-7 above.

Audio Playback

1. While audio is stopped, press the REWIND (4) or F.FWD BUTTON (3) to locate the section you want to play. Then, press the STOP/EJECT BUTTON (2) to stop. Press the PLAY BUTTON (5) to begin playback.
2. Turn the VOLUME KNOB (12) to adjust to the desired volume level.
3. During playback, press the PAUSE BUTTON (1) to pause, press again to resume normal playback.
4. When finished, press the STOP/EJECT BUTTON (2) to stop playback and shut off the unit.

Antenna

This player comes with an antenna that provides 2 radio settings to listen to as you please, both AM and FM radio listed below:

- AM – This unit has built in ferrite rod antenna, which provide adequate reception in most areas. If reception is weak, turn the unit to improve reception.
- FM – The FM rod antenna is for FM reception only. If reception is weak, adjust the length and the angle of the antenna.

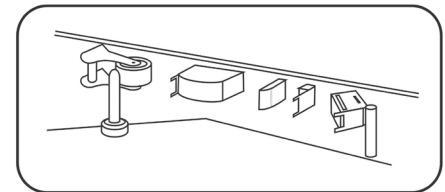
Headphone Jack

For a private listening experience, insert a headphone/earbud (not included) into the HEADPHONE JACK (17). The speaker will disconnect automatically.



Cleaning the Unit

- The finish on your unit may be cleaned with a dust cloth and cared for as other furniture. Use caution when cleaning and wiping the plastic parts.
- Mild soap and a damp cloth may be used on the front panel.
- Periodic cleaning of the tape heads, capstan, and pinch roller is necessary to maintain good sound reproduction. Clean them after every 100 hours of use, or less if playback has deteriorated. Use a cotton swab moistened with head cleaning solution or isopropyl alcohol, then wipe dry with another swab.

NOTE: Never use metal objects on or near the tape heads. Do not allow any cleaning material to fall into the tape assembly.



Warnings and Precautions

	CAUTION WARNING: SHOCK HAZARD. DO NOT OPEN. AVIS: RISQUE DE CHOC ELECTRIQUE. NE PAS OUVRIR	
CAUTION: TO REDUCE THE RISK OF FIRE AND ELECTRIC SHOCK, DO NOT REMOVE THE COVER (OR BACK) OF THE UNIT. REFER SERVICING ONLY TO QUALIFIED SERVICE PERSONNEL.		



The lightning flash with arrowhead symbol within an equilateral triangle is intended to alert the user to the presence of uninsulated “dangerous voltage” within the product’s enclosure that may be of significant magnitude to constitute risk of electric shock



The exclamation point within an equilateral triangle is intended to alert the user to the presence of important operation and servicing instructions in the literature accompanying the appliance.

CLASS 1 LASER PRODUCT

CLASS 1 LASER PRODUCT
APPAREIL LASER DE CLASSE 1
PRODUCTO LASER DE CLASE 1

CAUTION
INVISIBLE LASER RADIATION WHEN
OPEN AND INTERLOCKS DEFEATED.
AVOID EXPOSURE TO BEAM



This product contains a low power laser device.

On Protection Against Laser Energy Exposure

- As the laser beam used in this product is harmful to the eyes, do not attempt to disassemble the casing.
- Stop operation immediately if any liquid or solid object should fall into the cabinet.
- Do not put anything in the safety slot. If you do, the laser diode will be ON when the disc compartment door is still open.
- If the unit is not to be used for a long period of time, make sure that all power sources are disconnected from the unit. Remove all batteries from the battery compartment, and unplug the AC-DC adapter from the wall outlet. Make it a practice to remove the AC-DC adapter by grasping the main body and not by pulling the cord.
- This unit employs a laser. The use of controls or adjustment or performance of procedures other than those specified here may result in exposure to hazardous radiation.

CAUTION

- Do not block the ventilation openings or holes.
- Do not place any naked flames (such as lighted candles) on the apparatus.
- When discarding batteries, follow all local rules and laws governing the disposal of batteries. Consider the environmental impact of your actions!
- Invisible laser radiation when open and interlock has failed or been defeated. Avoid direct exposure to beam.
- To prevent fire or shock hazard, do not expose this appliance to rain or moisture.

Important Safety Information

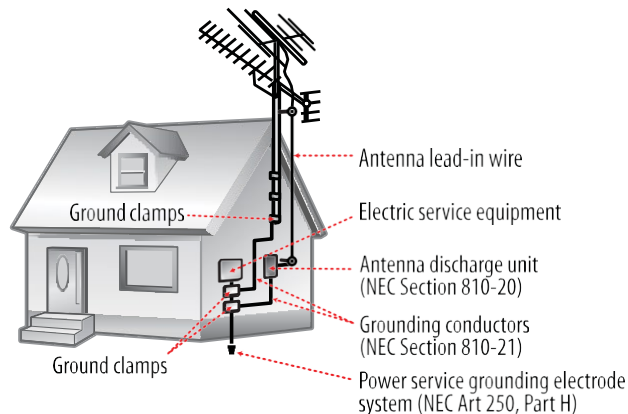
1. **Read Instructions:** All the safety and operating instructions should be read before the product is operated.
2. **Retain Instructions:** The safety and operating instruction should be retained for future reference.
3. **Heed Warnings:** All warnings on the product and in the operating instructions should be adhered to.
4. **Follow Instructions:** All operating and usage instructions should be followed.
5. **Cleaning:** Unplug this product from the wall outlet before cleaning. Do not use liquid cleaners or aerosol cleaners. Use a damp cloth for cleaning.
6. **Attachments:** Use only attachments recommended by the manufacturer. Use of other attachments may be hazardous.
7. **Water and Moisture:** Do not use this product near water (e.g., near a bathtub, washbowl, kitchen sink, laundry tub, in wet basements, or near a swimming pool and the like).
8. **Accessories:** Do not place this product on an unstable cart, stand, tripod, bracket, or table. Use only with carts, stands, tripods, brackets, or tables recommended by the manufacturer or sold with the product. Any mounting of the product should follow the manufacturer's instructions and should use a mounting accessory recommended by the manufacturer. A product and cart combination should be moved with care. Quick stops, excessive force, and uneven surfaces may cause the product and cart combination to overturn.
9. **Ventilation:** Slots and openings in the cabinet are provided for ventilation to ensure reliable operation of the product and to protect it from overheating. These openings should never be blocked by placing



the product on a bed, sofa, rug, or other similar surface. This product should not be placed in a built-in installation such as a bookcase or rack unless proper ventilation is provided or the manufacturer instructions have been adhered to.

10. **Power Sources:** This product should be operated only from the type of power source indicated on the rating label. If you are not sure of the type of power supply to your home, consult your product dealer or local power company. For products intended to operate from battery power or other sources, refer to the operating instructions.
11. **Grounding or Polarization:** This product may be equipped with a polarized alternating-current line plug that has one blade wider than the other. This plug will only fit into the power outlet in one direction. This is a safety feature. If you are unable to insert the plug fully into the outlet, try reversing the direction of the plug. If the plug should still fail to fit, contact an electrician to replace the obsolete outlet. Do not defeat the safety purpose of the polarized plug.
12. **Power-Cord Protection:** Power supply cords should be routed so that they are not likely to be walked on or pinched by items placed upon or against them, paying particular attention to cords at plugs, convenience receptacles, and at the point which they exit from the product.
13. **Protective Attachment Plug:** The product may be equipped with an attachment plug with overload protection. This is a safety feature. See the operating instructions for replacement or directions to reset the protective device. If replacement of the plug is required, be sure the service technician has used a replacement plug that has the same overload protection as the original plug as specified by the manufacturer.
14. **Outdoor Antenna Grounding:** If an outside antenna is connected to the product, be sure the antenna system is grounded so as to provide some protection against voltage surges and built-up static charges. Article 810 of the National Electrical Code, ANS/NFPA70 provides information with regard to proper grounding of the mast and support-

ing structure, grounding of the lead-in wire to an antenna-discharge unit, size of grounding conductors, location of antenna-discharge unit, connection to grounding electrodes, and requirements for the grounding electrode (see figure).



15. **Lightning:** For added protection for this product, unplug it from the wall outlet and disconnect the antenna or cable system during a lightning storm when it is left unattended and unused for long periods of time. This will prevent damage to the product due to lightning or power-line surges.
16. **Power Lines:** An outside antenna system should not be located in the vicinity of overhead power lines or other electric light or power circuits, or where it can fall into such power lines or circuits. When installing an outside antenna system, extreme care should be taken to keep from touching such power lines or circuits, as contact with them might be fatal.

17. **Overloading:** Do not overload wall outlets, extension cords, or integral convenience receptacles as this can result in a risk of fire or electric shock.
18. **Object and Liquid Entry:** Never push objects of any kind into this product through openings as they may touch dangerous voltage points or short-out parts that could result in a fire or electric shock. Never spill liquid of any kind on the product.
19. **Servicing:** Do not attempt to service this product yourself as opening or removing covers may expose you to dangerous voltage or other hazards. Refer all servicing to qualified service personnel.
20. **Damage Requiring Service:** Unplug this product from the wall outlet and refer servicing to qualified service personnel under the following conditions: a) when the power-supply or plug is damaged; b) if liquid has been spilled or if objects have fallen into the product; c) if the product has been exposed to rain or water; d) if the product does not operate normally by following the operating instructions. Adjust only those controls that are covered by the operating instructions as improper adjustment of other controls may result in damage and will often require extensive work by a qualified technician to restore the product to its normal operation; e) if the product has been dropped or damaged in any way; f) when the product exhibits a distinct change in performance—this indicates a need for service.
21. **Replacement Parts:** When replacement parts are required, be sure that your service technician has used replacement parts specified by the manufacturer or have the same characteristics as the original part. Unauthorized substitutions may result in fire, electric shock, or other hazards.
22. **Safety Check:** Upon completion of any service or repairs to this product, ask the service technician to perform safety checks to ensure that the product is in proper operating condition.

23. **Wall or Ceiling Mounting:** The product should be mounted to a wall or ceiling only as recommended by the manufacturer.
24. **Heat:** The product should be situated away from heat sources such as radiators, heat registers, stoves, or other products (including amplifiers) that produce heat.

FCC NOTICE

This device complies with Part 15 of the FCC Rules. Operation is subject to the following two conditions: (1) this device may not cause harmful interference, and (2) this device must accept any interference received, including interference that may cause undesired operation.

Note: This equipment has been tested and found to comply with the limits for a Class B digital device, pursuant to Part 15 of the FCC Rules. These limits are designed to provide reasonable protection against harmful interference in a residential installation. This equipment generates, uses and can radiate radio frequency energy and, if not installed and used in accordance with the instructions, may cause harmful interference to radio communications. However, there is no guarantee that interference will not occur in a particular installation. If this equipment does cause harmful interference to radio or television reception, which can be determined by turning the equipment off and on, the user is encouraged to try to correct the interference by one or more of the following measures:

- Reorient or relocate the receiving antenna.
- Increase the separation between the equipment and receiver.
- Connect the equipment into an outlet on a circuit different from that to which the receiver is connected.
- Consult the dealer or an experienced radio/TV technician for help.

CAUTION ON MODIFICATIONS

Any changes or modifications not expressly approved by the grantee of this device may void the authority granted by the FCC to operate the equipment.

WARNING

This product contains lead, a chemical known to the State of California to cause cancer and birth defects or other reproductive harm. ***Wash hands after handling.***

CAUTION

This product is equipped with a polarized plug (one blade is wider than the other blade) as a safety feature to reduce the risk of electrical shock. This plug will fit into a polarized outlet only one way. This is a safety feature. If you are unable to insert the plug into the electrical outlet, try reversing the plug. If the plug still does not fit, contact a qualified electrician. Never use the plug with an extension cord unless the plug can be fully inserted into the extension cord. Do not alter the plug. Do not attempt to defeat the safety purpose of the polarized plug.

NEC NATIONAL ELECTRICAL CODE

Do not apply oil or petroleum products to this product.

GRAPHIC SYMBOLS WITH SUPPLEMENTARY MARKINGS ARE LOCATED ON THE BOTTOM OF THE UNIT. USE OF ANY CONTROLS OR ADJUSTMENTS OR PERFORMANCE OF PROCEDURES OTHER THAN THOSE HEREIN SPECIFIED MAY RESULT IN HAZARDOUS RADIATION EXPOSURE.

Specifications

Receiving Band:	AM/FM
Tuning Range:	AM: 530 – 1710 KHz FM: 88 – 108 MHz
Antenna:	AM: Built-in ferrite bar FM: Wire antenna (inside)
Tape Speed:	4.75 cm / sec
Power Source:	AC 120V~60Hz DC 6V, 4 x “D” size batteries
Power Consumption:	5W
Wow & Flutter:	Less than 0.35% RMS (JIS)
Recording System:	DC Bias
Audio Power:	500mW

Note: We reserve the right to modify the product and specifications without prior notice.

Support

If you have problems with your device, please consult the instructions in this manual. Please also visit us on the web at www.naxa.com to get up to the minute news, alerts, and documentation for your device. For additional assistance, please contact Naxa Technical Support.

NAXA Technical Support

2320 East 49th St.

http://www.naxa.com/naxa_support/