



Instruction Manual

Please read carefully before use and keep for future reference.

Table of Contents

Thank You	3	Using the AUX Input	11
In the Box	3	Warnings and Precautions.....	12
Before You Start	4	Specifications	16
At a Glance	5	Support	16
Connect Power	6		
AC Power.....	6		
Battery Power.....	6		
Basic Functions.....	7		
Turning the Unit On and Off	7		
Adjusting the Volume	7		
Using the Radio	7		
Using the CD Player	8		
About Compact Discs	8		
Loading a Disc.....	8		
Playing a Disc.....	9		
Repeat Playback	9		
Programming a Playlist	10		
Mix (Random) Play	11		

Thank You

We know you have many choices when it comes to technology; thank you for choosing us here at Naxa Electronics. Established in 2001 in Los Angeles, California, we are dedicated to delivering products that entertain and delight.

We trust that you will be happy with your purchase. Please read this manual carefully and save it for reference. You may also find the latest FAQ, documentation, and other product material at our website. Come visit us on the web at **www.naxa.com** and see all that we have to offer!

In the Box

Please take a moment to make sure that you have everything in the list below. Although we make every effort to ensure that each Naxa device is securely packed and sealed, we know a lot can happen in between us and you. If anything is missing, check back with your local retailer to get immediate assistance. If they cannot help you, please contact our Naxa Support team at **www.naxa.com/naxa_support**.

- NB-254 portable CD player
- AC power cable
- User manual

Before You Start

Please take note of the following before you start.

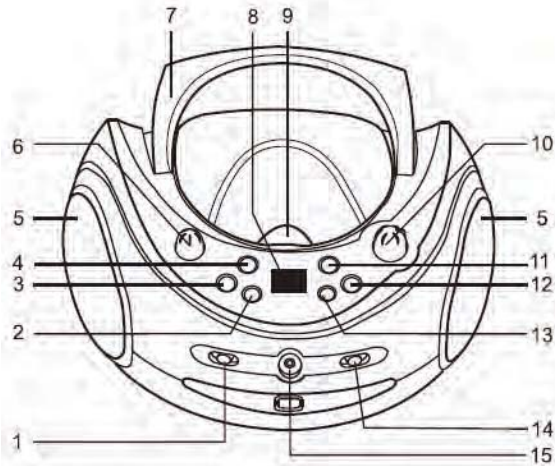
- Do not block the ventilation openings or holes.
- Avoid installing the unit in locations described below:
 - Places exposed to direct sunlight or close to heat radiating appliances (such as electric heaters, or on top of other stereo equipment that radiate heat).
 - Places lacking ventilation or dusty places.
 - Places subject to constant vibration.
 - Places that are humid or moist.
- Operate turning controls and switches as instructed in manual.
- Before turning on the power for the first time, make sure that the power cord is properly installed.
- Store your tapes or CD in a cool area to avoid damage from heat.

CAUTION: TO REDUCE THE RISK OF ELECTRIC SHOCK, DO NOT REMOVE COVER (OR BACK). NO USER SERVICEABLE PARTS INSIDE, REFER SERVICING TO QUALIFIED SERVICE PERSONNEL.

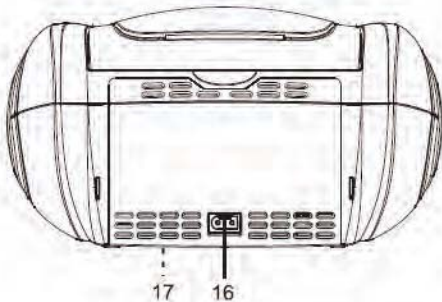
WARNING: Remove batteries if exhausted or if they will not be used again for a long period. The incorrect use of batteries can cause electrolyte leakage and will corrode the compartment or cause the batteries to burst, therefore:

- Do not mix battery types, e.g. alkaline with zinc carbonate.
- When inserting new batteries, replace all batteries at the same time.

At a Glance



1. FUNCTION (OFF-RADIO-CD/AUX) SWITCH
2. PROG/REPEAT BUTTON
3. BACK \ll BUTTON (SKIP/SEARCH)
4. STOP \blacksquare BUTTON
5. SPEAKERS
6. VOLUME CONTROL
7. CARRYING HANDLE
8. DISPLAY
9. OPEN/CLOSE LID
10. TUNING CONTROL
11. PLAY/PAUSE $\blacktriangleright \parallel$ BUTTON
12. NEXT $\blacktriangleright \blacktriangleright$ BUTTON (SKIP/SEARCH)
13. MIX BUTTON (RANDOM)
14. BAND (FM-AM) SWITCH
15. AUX IN JACK
16. AC POWER JACK
17. BATTERY COMPARTMENT



Connect Power

The unit can be powered by AC household power, or by batteries.

AC Power

This unit operates on AC 120 V ~60 Hz power.

With the included AC power cable, connect the AC power socket [16] found on the rear of the player to a wall power outlet that provides AC 120V ~60Hz power.



Please be sure the power outlet you plug this unit into is working and receives constant (unswitched) power.

Contact your local power utility if you are not sure which type of power you have.



Do not attempt to operate the radio on any other power source. You could cause damage to the unit and void your warranty.

Battery Power

Install 6 UM-2 “C” size batteries to enjoy music wherever you are.

1. Remove the lid from the battery compartment [17] found on the bottom of the main unit.
2. Load six “C” size batteries, taking care to match the polarities marked on the inside of the compartment.



Remove the batteries if they are exhausted or will not be used for a long time.

Batteries contain chemicals that may be regulated by your local government. Dispose of them properly according to regulations.

Basic Functions

Turning the Unit On and Off

To turn the unit on, set the FUNCTION switch [1] to one of the function positions (e.g., CD, AM, FM).

To turn the unit off, set the FUNCTION switch [1] to the OFF position.

Adjusting the Volume

Turn the VOLUME dial [6] clockwise or counter clockwise to increase or decrease the volume level, respectively.

Using the Radio

Set the FUNCTION switch [1] to the AM or FM position to start using the radio.

1. Select a frequency band.
 - To listen to AM stations, set the FUNCTION switch [1] to the AM position.
 - To listen to FM stations, set the FUNCTION switch [1] to the FM position.
2. Turn the Radio Tuning dial [10] to tune to a radio station; the current station can be seen on the frequency scale printed on the dial.
3. Optimize radio reception:
 - The AM antenna is built into the player. Adjust the orientation and position of the player itself to optimize AM radio reception.

Using the CD Player

Set the FUNCTION switch [1] to the CD/AUX position to start using the CD player.

About Compact Discs

This player is compatible with all digital audio CDs, digital audio CD-Recordable discs (CD-R) and CD-Re-writable discs (CD-RW) that have been finalized, and CD-DA format digital audio CDs.



Only handle a CD by its edge. Avoid touching the label or the playable side with your hands or any other object.

Loading a Disc

1. Open the CD compartment [9] by lifting the Open/Close lid.
2. Load a compatible disc. Place the CD into the compartment with its label facing up.
3. Close the CD compartment [9] by pushing down the CD door gently.
4. The player will attempt to read the disc once the compartment is closed.
 - The LED screen [8] will show the amount of playable tracks on the disc.



To ensure good system performance, wait until the player recognizes and reads the disc before proceeding.

Playing a Disc

With a compatible disc in the CD compartment [9]:

- Press the PLAY button [11] to start playback.
 - 01 will appear on the display [8].
- To pause playback, press the PLAY button [11] while a disc is playing.
 - The PLAY indicator will flash on the display [8].
 - Press the PLAY button [11] again to resume playback.
- To stop playback, press the STOP button [4].
- To select a track to play:
 - Press the BACK [3] or NEXT [12] button repeatedly until the desired track appears on the display [8].
 - Press the PLAY button to begin playback.

- To scan through a track at high speed:
 - Press and hold the NEXT button [12] during playback. Play will advance quickly through the current track; release the key to resume playback at normal speed.
 - Press and hold the BACK button [3] during playback. Play will reverse quickly through the current track; release the key to resume playback at normal speed.

Repeat Playback

You can change the order in which the tracks of a CD are played by pressing the REP button [2].

- To repeat a single track, press the REP button [2] once in play mode, "REPEAT" will appear on the display [8]. The current track will replay repeatedly until play is stopped. Press the REP button [2] once more to cancel.
- To repeat all the tracks, press the REP button [2] twice in play mode, "REPEAT ALL" will appear on the display [8]. All tracks on the disc will be played repeatedly until play is stopped. Press the REP button [2] once more to cancel.

Programming a Playlist

When the CD is stopped, you can select up to 20 CD tracks to play in any order that you choose.

1. Press the STOP button [4] to make sure that playback has stopped.
2. Press the PROG button [2]. "PROGRAM 01" will appear on the display [8].
3. Use the BACK [3] or NEXT [12] buttons to choose a track to enter into the playlist.
4. Press the PROG button [2] to save the track into the playlist. "P02" will appear on the display [8].
5. Repeat steps 3 and 4 until your playlist is complete. You can save up to 20 tracks.
6. Press the PLAY button [11]. Play will start from the first track in the playlist. Play will stop once all of the programmed tracks have been played.
7. Press the STOP key [4] to stop the programmed playlist, then press the STOP key [4] a second time to clear the playlist from Program memory.



Opening the CD compartment [9] will clear the playlist from program memory.

MIX (RANDOM) PLAY

1. Press the STOP button [4] to make sure that playback has stopped.
2. Press the MIX (Random) button [13] once.
3. The unit will random play all tracks on the CD. Following playback of all tracks, it will stop.

Using the AUX Input



This unit has a special AUXIN jack [15] that allows for external audio devices to be connected to the unit.

1. Set the FUNCTION switch [1] to the CD/AUX position.
2. Connect the audio cable into the AUX-IN jack [15], and the other end connects to the AUDIO OUT jack of the desired external audio device. The unit will change to AUX mode automatically.
3. Adjust the volume of playback using either the volume control on the unit [6] or on the external audio device.
4. Press PLAY on the external audio device (e.g., MP3 player or smartphone) to begin playback.



Use the audio source to control playback (e.g., stop, play, next). Use the player to control the volume.

Warnings and Precautions


	CAUTION WARNING: SHOCK HAZARD. DO NOT OPEN. AVIS: RISQUE DE CHOC ELECTRIQUE. NE PAS OUVRIR	
CAUTION: TO REDUCE THE RISK OF FIRE AND ELECTRIC SHOCK, DO NOT REMOVE THE COVER (OR BACK) OF THE UNIT. REFER SERVICING ONLY TO QUALIFIED SERVICE PERSONNEL.		



The lightning flash with arrowhead symbol within an equilateral triangle is intended to alert the user to the presence of uninsulated “dangerous voltage” within the product’s enclosure that may be of significant magnitude to constitute risk of electric shock



The exclamation point within an equilateral triangle is intended to alert the user to the presence of important operation and servicing instructions in the literature accompanying the appliance.

CLASS 1 LASER PRODUCT CLASS 1 LASER PRODUCT APPAREIL LASER DE CLASSE 1 PRODUCTO LASER DE CLASE 1	CAUTION INVISIBLE LASER RADIATION WHEN OPEN AND INTERLOCKS DEFEATED. AVOID EXPOSURE TO BEAM	
This product contains a low power laser device.		

On Protection Against Laser Energy Exposure

- As the laser beam used in this product is harmful to the eyes, do not attempt to disassemble the casing.
- Stop operation immediately if any liquid or solid object should fall into the cabinet.
- Do not put anything in the safety slot. If you do, the laser diode will be ON when the disc compartment door is still open.
- If the unit is not to be used for a long period of time, make sure that all power sources are disconnected from the unit. Remove all batteries from the battery compartment, and unplug the AC-DC adapter from the wall outlet. Make it a practice to remove the AC-DC adapter by grasping the main body and not by pulling the cord.
- This unit employs a laser. The use of controls or adjustment or performance of procedures other than those specified here may result in exposure to hazardous radiation.

CAUTION

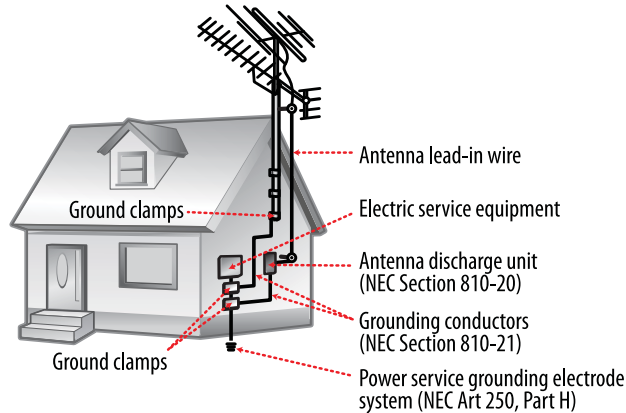
- Do not block the ventilation openings or holes.
- Do not place any naked flames (such as lighted candles) on the apparatus.
- When discarding batteries, follow all local rules and laws governing the disposal of batteries. Consider the environmental impact of your actions!
- Invisible laser radiation when open and interlock has failed or been defeated. Avoid direct exposure to beam.
- To prevent fire or shock hazard, do not expose this appliance to rain or moisture.

Important Safety Information

1. **Read Instructions:** All the safety and operating instructions should be read before the product is operated.
2. **Retain Instructions:** The safety and operating instruction should be retained for future reference.
3. **Heed Warnings:** All warnings on the product and in the operating instructions should be adhered to.
4. **Follow Instructions:** All operating and usage instructions should be followed.
5. **Cleaning:** Unplug this product from the wall outlet before cleaning. Do not use liquid cleaners or aerosol cleaners. Use a damp cloth for cleaning.
6. **Attachments:** Use only attachments recommended by the manufacturer. Use of other attachments may be hazardous.
7. **Water and Moisture:** Do not use this product near water (e.g., near a bathtub, washbowl, kitchen sink, laundry tub, in wet basements, or near a swimming pool and the like).
8. **Accessories:** Do not place this product on an unstable cart, stand, tripod, bracket, or table. Use only with carts, stands, tripods, brackets, or tables recommended by the manufacturer or sold with the product. Any mounting of the product should follow the manufacturer's instructions and should use a mounting accessory recommended by the manufacturer. A product and cart combination should be moved with care. Quick stops, excessive force, and uneven surfaces may cause the product and cart combination to overturn.
9. **Ventilation:** Slots and openings in the cabinet are provided for ventilation to ensure reliable operation of the product and to protect it from overheating. These openings should never be blocked by placing the product on a bed, sofa, rug, or other similar surface. This product should not be placed in a built-in installation such as a bookcase or rack unless proper ventilation is provided or the manufacturer instructions have been adhered to.
10. **Power Sources:** This product should be operated only from the type of power source indicated on the rating label. If you are not sure of the type of power supply to your home, consult your product dealer or local power company. For products intended to operate from battery power or other sources, refer to the operating instructions.
11. **Grounding or Polarization:** This product may be equipped with a polarized alternating-current line plug that has one blade wider than the other. This plug will only fit into the power outlet in one direction. This is a safety feature. If you are unable to insert the plug fully into the outlet, try reversing the direction of the plug. If the plug should still fail to fit, contact an electrician to replace the obsolete outlet. Do not defeat the safety purpose of the polarized plug.
12. **Power-Cord Protection:** Power supply cords should be routed so that they are not likely to be walked on or pinched by items placed upon or against them, paying particular attention to cords at plugs, convenience receptacles, and at the point which they exit from the product.
13. **Protective Attachment Plug:** The product may be equipped with an attachment plug with overload protection. This is a safety feature. See the operating instructions for replacement or directions to reset the protective device. If replacement of the plug is required, be sure the service technician has used a replacement plug that has the same overload protection as the original plug as specified by the manufacturer.
14. **Outdoor Antenna Grounding:** If an outside antenna is connected to the product, be sure the antenna system is grounded so as to provide some protection against voltage surges and built-up static charges. Article 810 of the National Electrical Code, ANS/NFPA70 provides information with regard to proper grounding of the mast and support-



ing structure, grounding of the lead-in wire to an antenna-discharge unit, size of grounding conductors, location of antenna-discharge unit, connection to grounding electrodes, and requirements for the grounding electrode (see figure).



15. **Lightning:** For added protection for this product, unplug it from the wall outlet and disconnect the antenna or cable system during a lightning storm when it is left unattended and unused for long periods of time. This will prevent damage to the product due to lightning or power-line surges.
16. **Power Lines:** An outside antenna system should not be located in the vicinity of overhead power lines or other electric light or power circuits, or where it can fall into such power lines or circuits. When installing an outside antenna system, extreme care should be taken to keep from touching such power lines or circuits, as contact with them might be fatal.

17. **Overloading:** Do not overload wall outlets, extension cords, or integral convenience receptacles as this can result in a risk of fire or electric shock.
18. **Object and Liquid Entry:** Never push objects of any kind into this product through openings as they may touch dangerous voltage points or short-out parts that could result in a fire or electric shock. Never spill liquid of any kind on the product.
19. **Servicing:** Do not attempt to service this product yourself as opening or removing covers may expose you to dangerous voltage or other hazards. Refer all servicing to qualified service personnel.
20. **Damage Requiring Service:** Unplug this product from the wall outlet and refer servicing to qualified service personnel under the following conditions: a) when the power-supply or plug is damaged; b) if liquid has been spilled or if objects have fallen into the product; c) if the product has been exposed to rain or water; d) if the product does not operate normally by following the operating instructions. Adjust only those controls that are covered by the operating instructions as improper adjustment of other controls may result in damage and will often require extensive work by a qualified technician to restore the product to its normal operation; e) if the product has been dropped or damaged in any way; f) when the product exhibits a distinct change in performance—this indicates a need for service.
21. **Replacement Parts:** When replacement parts are required, be sure that your service technician has used replacement parts specified by the manufacturer or have the same characteristics as the original part. Unauthorized substitutions may result in fire, electric shock, or other hazards.
22. **Safety Check:** Upon completion of any service or repairs to this product, ask the service technician to perform safety checks to ensure that the product is in proper operating condition.

23. Wall or Ceiling Mounting: The product should be mounted to a wall or ceiling only as recommended by the manufacturer.

24. Heat: The product should be situated away from heat sources such as radiators, heat registers, stoves, or other products (including amplifiers) that produce heat.

FCC NOTICE

This device complies with Part 15 of the FCC Rules. Operation is subject to the following two conditions: (1) this device may not cause harmful interference, and (2) this device must accept any interference received, including interference that may cause undesired operation.

Note: This equipment has been tested and found to comply with the limits for a Class B digital device, pursuant to Part 15 of the FCC Rules. These limits are designed to provide reasonable protection against harmful interference in a residential installation. This equipment generates, uses and can radiate radio frequency energy and, if not installed and used in accordance with the instructions, may cause harmful interference to radio communications. However, there is no guarantee that interference will not occur in a particular installation. If this equipment does cause harmful interference to radio or television reception, which can be determined by turning the equipment off and on, the user is encouraged to try to correct the interference by one or more of the following measures:

- Reorient or relocate the receiving antenna.
- Increase the separation between the equipment and receiver.
- Connect the equipment into an outlet on a circuit different from that to which the receiver is connected.
- Consult the dealer or an experienced radio/TV technician for help.

CAUTION ON MODIFICATIONS

Any changes or modifications not expressly approved by the grantee of this device may void the authority granted by the FCC to operate the equipment.

WARNING

This product contains lead, a chemical known to the State of California to cause cancer and birth defects or other reproductive harm. ***Wash hands after handling.***

CAUTION

This product is equipped with a polarized plug (one blade is wider than the other blade) as a safety feature to reduce the risk of electrical shock. This plug will fit into a polarized outlet only one way. This is a safety feature. If you are unable to insert the plug into the electrical outlet, try reversing the plug. If the plug still does not fit, contact a qualified electrician. Never use the plug with an extension cord unless the plug can be fully inserted into the extension cord. Do not alter the plug. Do not attempt to defeat the safety purpose of the polarized plug.

NEC NATIONAL ELECTRICAL CODE

Do not apply oil or petroleum products to this product.

GRAPHIC SYMBOLS WITH SUPPLEMENTARY MARKINGS ARE LOCATED ON THE BOTTOM OF THE UNIT. USE OF ANY CONTROLS OR ADJUSTMENTS OR PERFORMANCE OF PROCEDURES OTHER THAN THOSE HEREIN SPECIFIED MAY RESULT IN HAZARDOUS RADIATION EXPOSURE.

Specifications

CD SECTION

Channels:	2 channels
S/N ratio:	60 dB
Wow & Flutter:	undetactable
Sampling Frequency:	44.1KHz 8 X over sampling
Quantization:	1 bit DA converter
Pick-up light source:	Semi-conductor laser
Pick-up wavelength:	790 nm

RADIO SECTION

Receiving Band:	AM/FM
Tuning Range:	AM: 530 – 1710 KHz FM: 87.5 – 108 MHz
Antenna:	AM: Built-in ferrite bar FM: Wire antenna (inside)

GENERAL

Output Power:	1.2W x 2
Aux-in Jack:	3.5mm
Power Source:	AC 120V~60Hz DC 9V 1.5V UM-2/C x 6pcs
Power Consumption:	14W
Dimensions:	10.35(L) x 9.37(D) x 5.51(H) inches
Weight:	3.09 lbs

Note: Product are improved continuously. We reserve the right to modify the product and specifications without prior notice.

Support

If you have problems with your device, please consult the instructions in this manual. Please also visit us on the web at www.naxa.com to get up to the minute news, alerts, and documentation for your device. For additional assistance, please contact Naxa Technical Support.

NAXA Technical Support

2320 East 49th St.

Vernon, CA 90058

http://www.naxa.com/naxa_support/

**REPRODUCTOR DE DISCO COMPACTO (CD) PORTATIL
CON RADIO AM/FM ESTEREO
NPB-254**



MANUAL DE OPERACIÓN

**FAVOR DE LEER ESTE MANUAL COMPLETAMENTE ANTES DE OPERAR ESTE PRODUCTO.
CONSERVAR EL MANUAL PARA FUTURAS REFERENCIAS**

Índice

Agradecimiento	3
Contenido en el empaque	3
Antes de iniciar	4
Descripción de partes	5
Fuentes de alimentación	6
Alimentación con Vca	6
Alimentación con baterías	6
Funciones básicas	7
Encender / Apagar	7
Ajuste de volumen	7
Operación del Radio	7
Operación del disco compacto	8
Acerca de los discos compactos	8
Cargando un disco compacto	8

Reproducción de un disco compacto	9
Repetir reproducción	9
Programación de la reproducción	10
Reproducción al azar	11

Operación de la entrada Auxiliar	11
---	-----------

Advertencias y precauciones	12
------------------------------------	-----------

Especificaciones	16
-------------------------	-----------

Soporte	16
----------------	-----------

Agradecimiento

Sabemos que usted tiene muchas opciones cuando se trata de tecnología; gracias por elegir los productos de Naxa Electronics. Fundada en 2001 en Los Ángeles, California, estamos dedicados a ofrecer productos que entretienen y satisfacen sus necesidades.

Confiamos en que usted será feliz con su compra. Favor de leer atentamente este manual y guárdelo para futura referencia. Usted también puede encontrar las preguntas más frecuentes, documentación y otro material del producto en nuestro sitio web. Venga a visitarnos en www.naxa.com y ver todo lo que tenemos para ofrecer

Contenido en el empaque

Favor de tomar unos momentos para asegurarse de que se tiene todo lo que se enlista abajo.

Aunque hacemos todo lo posible para asegurarnos de que cada dispositivo Naxa esté bien empacado y sellado, sabemos que pueden pasar muchas cosas durante el empacado y transporte. Si falta algún componente, acudir inmediatamente con el proveedor para obtener asistencia inmediata. Favor de contactar al equipo de soporte naxa en www.naxa.com/naxa...support

- Reproductor Portátil NPB-254
- Cordón de alimentación
- Manual de operación

Antes de Iniciar

Favor de tomar en cuenta lo siguiente antes de iniciar.

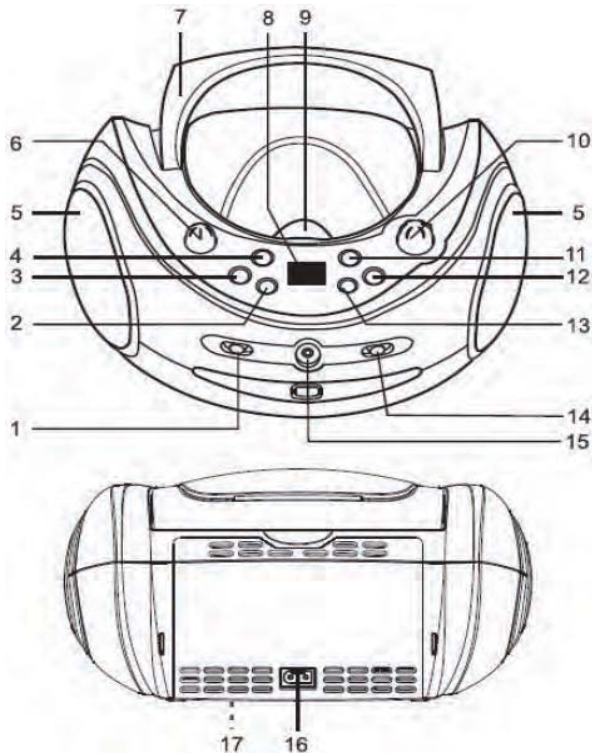
- No bloquear las ranuras de ventilación.
- Evitar instalar este producto en los lugares que se describen a continuación:
 - Lugares expuestos a los rayos directos del sol, cerca de productos radiadores de calor como calentadores eléctricos u otros equipos que radien calor.
 - Lugares cerrados con poca ventilación o lugares con polvo.
 - Lugares sujetos a vibraciones constantes.
 - Lugares con humedad.
- La ventilación normal del producto no debe ser impedida de ninguna forma para prevenir sobrecalentamiento interno.
- Operar los interruptores y controles como se indica en el manual.
- Antes de encender el producto por primera vez, asegurarse que el cordón de alimentación está instalado adecuadamente.
- Almacenar este producto, los casetes y discos compactos en un lugar fresco para evitar daños debido al calor.

PRECAUCION: PARA REDUCIR EL RIESGO DE CHOQUE ELÉCTRICO NO REMOVER LA CUBIERTA (O TAPA), DENTRO DE ESTE APARATO NO HAY PARTES QUE EL USUARIO PUEDA DARLE SERVICIO, EN CASO DE SER NECESARIO ACUDIR A UN CENTRO DE SERVICIO AUTORIZADO O CON PERSONAL CALIFICADO.

ADVERTENCIA: Remover las baterías si están agotadas o si el producto no va ser usado por un periodo largo de tiempo. El uso incorrecto de las baterías puede causar fuga de ácido, esto puede corroer el compartimiento o causar que las baterías exploten. Por lo tanto:

- No mezclar baterías de diferente tipo, por ejemplo alcalinas con zinc carbón. No usar baterías nuevas con usadas.
- Al reemplazar las baterías, reemplazar todas las baterías al mismo tiempo.

Descripción de Partes



1. Interruptor / Selector de Función (Apagado "OFF" – Radio "RADIO" – Disco Compacto / Auxiliar "CD/AUX")
2. Botón de Programar / Repetir "PROG/REPEAT"
3. Botón de Saltar / Buscar "⏮"
4. Botón de Detener "■"
5. Bocinas
6. Control de Volumen "VOLUME"
7. Asa
8. Pantalla
9. Área para Abrir / Cerrar compartimiento del disco compacto
10. Control de Sintonía "TUNING"
11. Botón de Reproducir / Pausar "▶ ||"
12. Botón de Saltar / Buscar "⏭"
13. Botón de Reproducción al Azar "MIX"
14. Selector de banda de Radio "AM/FM"
15. Conector de Entrada Auxiliar "AUX"
16. Conector de Entrada de Vca
17. Compartimiento de las baterías

Fuentes de Alimentación

Esta unidad puede operar con un tomacorriente (Vca) o baterías (Vcc)

Operación con un tomacorriente (Vca)

Verificar que voltaje de su localidad corresponda con el voltaje indicado en el producto o la etiqueta (120 Vca 60 Hz). Contactar a la compañía de luz local si tiene duda sobre el voltaje de su localidad.

Conectar el extremo del cordón de alimentación en el conector de entrada de Vca del producto, entonces conectar el otro extremo (clavija) en un tomacorriente.



Asegurarse que el tomacorriente opera adecuadamente y hay voltaje en el mismo.

Contactar a la compañía de energía local si tiene duda sobre el voltaje de su localidad.



No operar este producto con otra fuente de alimentación a las especificadas, en caso contrario puede causar daños al producto y anular la garantía.

Operación con baterías (Vcc)

Esta unidad opera con 6 baterías de 1.5 Vcc tamaño “C” para disfrutar de la música en cualquier momento.

1. Remover la tapa del compartimiento de las baterías.
2. Insertar 6 baterías de 1,5 Vcc tamaño “C”, “UM-2” o equivalentes (no incluidas), verificando la correcta polaridad cómo se observa en el interior del compartimiento.
3. Colocar la tapa del compartimiento de las baterías nuevamente.



Remover las baterías si están agotadas o si el producto no va ser usado por un periodo largo de tiempo.

Las baterías contienen sustancias químicas, estas deben ser desechadas de forma adecuada para evitar daños al medioambiente.

Funciones básicas

Encender / Apagar

Para encender la unidad, colocar el selector de función (1) en la posición de Radio o CD/AUX. La pantalla (8) se enciende.

Para apagar la unidad, colocar el selector de función (1) en la posición de "OFF".

Ajuste de volumen

Girar el control de volumen (6) a la izquierda o derecha para ajustar el volumen al nivel deseado.

Operación del Radio

Colocar el selector de función (1) en la posición de "RADIO" para seleccionar la función de Radio.

1. Colocar el selector de banda (14) en la banda deseada de AM, FM.
2. Girar el control de sintonía (10) para sintonizar la estación de radio deseada. La estación sintonizada puede verse en el la escala de frecuencia marcada al lado del control de sintonía.
3. Optimizar la recepción de las estaciones de radio.
 - Cuando sintoniza una estación de FM, extender la antena telescópica completamente y girarla para una mejor recepción (en caso de contar con antena telescópica).
 - Cuando sintoniza una estación de AM, girar la unidad hasta obtener una mejor recepción o colocarla en un área abierta, debido a que el producto cuenta con una antena interna de barra de ferrita.

Operación del Disco Compacto CD

Colocar el selector de función (11) en la posición de "CD/AUX" para operar la función de disco compacto.

Acerca de los discos compactos

Esta unidad puede reproducir discos de audio digital CD, discos grabables (CD-R), discos regrabables de audio digital (CD-RW) y discos de audio digital CD-DA.



Sujetar los discos por el borde. Evitar tocar las superficies del disco con las manos u otros objetos.

Colocando un disco compacto

1. Abrir el compartimiento del disco. Presionar hacia abajo en el área (9) para liberar el seguro y abrir el compartimiento.
2. Colocar un disco con el lado de la etiqueta hacia arriba en el compartimiento.
3. Bajar la tapa del compartimiento asegurándose de presionar en el área (9) para que el seguro sea fijado de forma adecuada para cerrar la tapa.
4. El reproductor empieza a leer el disco una vez que el compartimiento es cerrado.
 - La pantalla de cristal líquido (8) despliega el número total de pistas en el disco.
 - Si el disco fue colocado incorrectamente o no se puede leer por alguna otra razón, la pantalla (8) despliega "NO".



Para asegurar un buen desempeño del producto, esperar a que el reproductor reconozca y termine de leer el disco antes de proceder con alguna función.

Reproducción de un disco compacto

Una vez colocado un disco compacto compatible en el compartimiento del disco (9).

- Presionar “▶ II” (11) para iniciar la reproducción.
 - Inicia la reproducción a partir de la pista 1.
 - Se despliegan “01” y el indicador de reproducción en la pantalla (8).
- Durante la reproducción, presionar “▶ II” (11) para pausar.
 - El indicador de reproducción destella en la pantalla (8).
 - Presionar “▶ II” (11) nuevamente para volver a la reproducción.
- Presionar “■” (4) para detener la reproducción del disco.
- Para seleccionar una pista específica a reproducir.
 - Presionar “◀◀” (3) o “▶▶” (12) para saltar a la pista anterior o siguiente respectivamente. La pantalla (8) despliega el número de la pista seleccionada.

- Para desplazarse a través de una pista a alta velocidad.
 - Presionar y sostener “◀◀” (3) o “▶▶” (12) durante la reproducción. La reproducción regresa o avanza rápidamente respectivamente a través de la pista actual, liberar el botón para volver a la reproducción a velocidad normal.

Repetir Reproducción

Puede seleccionar el modo de repetición de la reproducción de las pistas del disco al presionar “PROG/REPEAT” (2).

- Presionar “PROG/REPEAT” (2) una vez para repetir la pista actual en reproducción continuamente hasta que la reproducción se detiene. El indicador “Repeat” se despliega en la pantalla (8).
- Presionar “PROG/REPEAT” (2) dos veces para repetir continuamente todas las pistas del disco hasta que la reproducción se detiene. El indicador “RepeatAll” se despliega en la pantalla (8).

- Para cancelar la función de Repetir, presionar “PROG/REPEAT” (2) hasta que los indicadores de repetición se borran de la pantalla (8)

Programación de la reproducción

Estando el disco detenido, puede seleccionar el orden deseado de reproducción de las pistas. Hasta 20 pistas pueden programarse.

1. Presionar “ ■ ” (4) para asegurar que la reproducción se detiene.
2. Presionar “REPEAT/PROG” (2), empieza a destellar “PROGRAM 01” en la pantalla (8).
3. Presionar “ ⏮ ” (3) o “ ⏭ ” (12) para seleccionar la pista deseada a programar.
4. Presionar “REPEAT/PROG” (2)nuevamente para salvar la pista seleccionada en el número de memoria 01 de la lista de reproducción programada y empieza a destellar “PROGRAM 02” en la pantalla (8).
5. Repetir los pasos 3 y 4 hasta completar la lista que desea programar (20 pistas máximo).

6. Presionar “ ▶ || ” (11)para iniciar la reproducción del programa a partir de la primera pista programada en la lista. La reproducción se detiene una vez que todas las pistas se reproducen.
7. Presionar “ ▶ || ” (11)para pausar la reproducción del programa, presionar “ ▶ || ” (11)nuevamente para volver a la reproducción del programa.
8. Presionar “ ■ ” (4) para detener la reproducción del programa, presionar “ ■ ” (4)nuevamente para borrar el programa de reproducción de la memoria.



Al abrir la tapa del compartimiento del disco compacto también se borra el programa de reproducción de la memoria

Reproducción al Azar

1. Presionar “ ■ ” (4) para asegurar que la reproducción se detiene.
2. Presionar “MIX” (13) para iniciar la función de reproducción al azar.
3. La unidad inicia la reproducción de las pistas del disco de manera al azar. Una vez que todas las pistas se reproducen, la reproducción del disco se detiene.

Operación de la Entrada Auxiliar

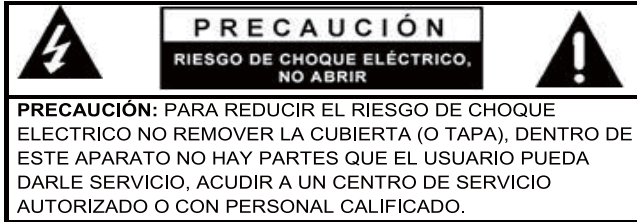
Este producto permite disfrutar de los archivos de audio favoritos reproducido desde dispositivos de audio externos a través de la Entrada Auxiliar. Para usar la función de Entrada Auxiliar, realizar los siguientes pasos:

1. Colocar el selector de función (1) en la posición de “CD/AUX” para operar la función de entrada auxiliar.
2. Usar un cable de línea con conectores estéreo de Ø 3.5 mm para conectar la salida de la fuente de audio externa (reproductor mp3, reproductor de CD, etc.) al conector de entrada auxiliar (15).
3. Ajustar el volumen de reproducción a través del control de volumen (6) de la unidad o del dispositivo de audio externo.
4. Iniciar la reproducción del dispositivo de audio externo.



Usar los controles de reproducción del dispositivo de audio externo (por ejemplo, Detener, Reproducir, Anterior, etc.) para controlar la reproducción. Ajustar el volumen al nivel deseado a través del control de volumen (6) de la unidad.

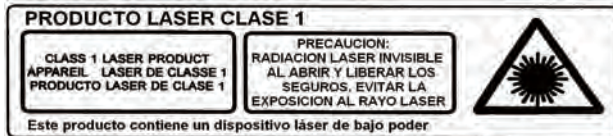
Advertencias y Precauciones



El símbolo del relámpago con punta de flecha dentro de un triángulo, es diseñado para advertir al usuario de voltajes peligrosos no aislados dentro del producto que pueden ser de magnitud suficiente para constituir riesgo de fuego o choque eléctrico para las persona.



El símbolo de exclamación dentro de un triángulo, es para alertar al usuario de la presencia de instrucciones importantes de operación, mantenimiento y servicio que se encuentran dentro de este instructivo



Protección contra la exposición a la energía láser.

- El láser usado en este reproductor es dañino para los ojos, por lo tanto no intentar desensamblarlo para prevenir la exposición a la radiación láser invisible.
- Detener la operación inmediatamente si se ha derramado líquido o algún objeto sólido cae en el interior del reproductor.
- No tocar o presionar el lente láser. Esto puede dañarlos provocando que el reproductor no opere adecuadamente.
- No colocar nada en las ranuras de seguridad. Esto puede activar la radiación láser al abrir la puerta del compartimiento del disco y provocar exposición a la radiación láser invisible
- Si el reproductor no va ser usado por un periodo largo de tiempo, desconectar las fuentes de alimentación. Remover las baterías del compartimiento y/o desconectar el cordón de alimentación del tomacorriente.
- Este reproductor usa un lente láser. El uso de controles, ajustes o procedimiento diferentes a los especificados en el manual pueden resultar en exposición a radiación láser peligrosa.

Precaución

- No bloquear las ranuras de ventilación.
- No colocar fuentes generadoras de flama (como velas, veladoras, etc.) sobre la unidad.
- Al desechar las baterías seguir la reglas de desechos sólidos de su localidad para evitar daños al medio ambiente.
- Radiación láser invisible peligrosa al abrir y liberar los seguros. Evitar la exposición a la radiación láser.
- Para prevenir riesgo de fuego o choque eléctrico no exponer esta unidad al goteo o salpicadura de agua, a la lluvia o humedad.

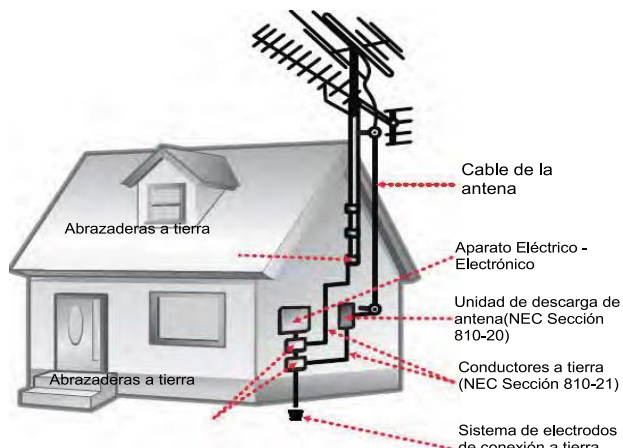
Importante Información de Seguridad

1. Leer las instrucciones. Deben leerse todas las instrucciones de operación y de seguridad antes de operar este producto.
2. Conservar las instrucciones. Deben conservarse las instrucciones de operación y seguridad para futuras referencias.
3. Poner atención a las advertencias. Todas las advertencias en el producto y las instrucciones de operación y seguridad deben de respetarse.
4. Seguir las instrucciones. Deben seguirse todas las instrucciones de uso y operación.
5. Limpieza. Desconectar el cordón de alimentación del tomacorriente antes de darle mantenimiento o limpieza al reproductor. Limpiar con una tela, suave, limpia y seca, No usar limpiadores líquidos o en aerosol.
6. Accesorios. Usar solo accesorios/refacciones recomendados por el fabricante.
7. Agua y humedad. No usar este producto cerca del agua, por ejemplo cerca de una bañera, lavabo, fregadero de cocina o de lavar, sótanos húmedos o cerca de una piscina.
8. Manejo y desplazamiento. No colocar este producto en un carrito, plataforma, repisa o mesa inestables el producto puede caer generando serias lesiones y daños a las personas y/o al producto. Usar este producto solo con el carrito, plataforma, repisa o mesa recomendado por el fabricante o vendido con el producto. La combinación del producto y de un carrito debe moverse con cuidado. Las paradas repentinas, fuerza excesiva y las superficies desniveladas pueden generar que el producto y el carrito se vuelquen.
9. Ventilación. Las ranuras y aberturas en la parte posterior y posterior del gabinete son provistas para la ventilación y asegurar la buena operación del producto y protegerlo del sobrecalentamiento. No deben bloquearse o taparse estas aberturas, colocando el producto sobre una cama, sofá alfombra u otra superficie similar. El producto no debe colocarse cerca o sobre un radiador o fuentes de calor. Este producto no



- debe colocarse en un librero o estante que impida el flujo del aire a través de las ranuras de ventilación.
10. Fuentes de alimentación. Este producto debe ser operado solo con los tipos de fuentes de alimentación indicados en la etiqueta de marcado, si no está seguro del tipo de la fuente de poder de su casa, consultar con su proveedor o con la compañía de electricidad local. Para producto diseñados para operar con baterías u otras fuentes, referirse al manual de operación.
 11. Terminal de tierra y polarización.No eliminar la característica de seguridad de una clavija polarizada o clavija con terminal a tierra, esta es una medida de seguridad. Una clavija polarizada cuanta con dos terminales con una terminal más ancha que la otra. Una clavija con terminal a tierra cuenta con dos terminales con una tercera terminal con conexión a tierra. Si la clavija no entra completamente en el tomacorriente, intentar meterla nuevamente volteándola; si tampoco entra completamente consultar a un electricista o personal calificado para reemplazar el tomacorriente obsoleto.
 12. Protección del cordón de alimentación. El cordón de alimentación debe colocarse de forma tal que no exista probabilidad de pisarlo o apretarlo sobre los lugares donde será colocado o contra el producto mismo. Poner atención particular en el cordón, la clavija, el tomacorriente y en los puntos en donde estos salen del producto.
 13. Clavija con protección. Este producto puede contar con una clavija con protección contra sobrecarga. Esta es una característica de seguridad. Ver las instrucciones de operación para reemplazar o restablecer el dispositivo de protección. Si requiere reemplazar la clavija, asegurarse que se use una clavija con protección contra sobrecarga original y de las mismas características de acuerdo a lo especificado por el fabricante.
 14. Antena exterior.Si una antena exterior es conectada en el producto, asegurar de que el sistema de antena es puesto a tierra para proveer protección contra sobre voltaje y cargas de corriente estática acumulada. La sección810 del NEC (NationalElectricalCode), ANSI/NFPA 70, Provee información respecto a la apropiada puesta a tierra del poste y la estructura

de soporte, cables principales, productos de descarga de la antena, tipos de conductores a tierra, localización de los puntos de descarga de la tierra, conexión a tierra de los electrodos y los requisitos de los electrodos de conexión a tierra (ver figura)



15. Tormentas eléctricas o periodos sin uso. Desconectar este producto del tomacorriente durante tormentas eléctricas o cuando va ser usado por un periodo largo de tiempo para protegerlo. También desconectar la antena exterior o el sistema de cable. Esto protege al producto de daños debido a los rayos o sobre líneas de poder.
16. Líneas de poder. No debe de colocarse un sistema de antena exterior cerca de las líneas eléctricas aéreas, luces o circuitos eléctricos, o donde pueda caer sobre dichas líneas eléctricas o circuitos. Al instalar un sistema de antena exterior, tener mucho cuidado de no tocar las líneas o circuitos eléctricos, el contacto con ellos puede resultar fatal.

17. Sobrecarga. No sobrecargar los tomacorrientes, cordones de extensión y los receptáculos ya que pueden generar riesgo de fuego o choque eléctrico.
18. Entrada de objetos y líquidos. No introducir objetos de cualquier tipo dentro de este producto a través de las ranuras de aberturas, estos pueden llegar a tocar puntos de voltaje peligroso o salidas que pueden resultar en riesgo de fuego o choque eléctrico. No derramar o rociar cualquier tipo de líquido sobre las ranuras de ventilación del producto.
19. Servicio. No intentar dar servicio usted mismo a este producto, abriendo o removiendo las cubiertas, puede exponerse a voltajes peligrosos u otros riesgos.
20. Daños que requieren servicio. Desconectar el producto del tomacorriente de pared y acudir a un centro de servicio autorizado o con personal calificado bajo las siguientes condiciones
 - a) Cuando la clavija o el cordón de alimentación estén dañados.
 - b) Cuando ha sido derramado liquido o han caído objetos en el interior del producto.
 - c) Si el producto ha sido expuesto a la lluvia o agua.
 - d) Si el producto no opera adecuadamente siguiendo las instrucciones de operación. Ajustar solo los controles que son indicados en este manual de operación. El ajuste de otros controles puede ocasionar daños y a menudo se requiere de trabajo excesivo del servicio técnico para restablecer la operación normal del producto.
 - e) Si el producto se ha caído o golpeado o si la cubierta está dañada.
 - f) Si el producto exhibe cambios en su funcionamiento normal. Todo lo anterior indica la necesidad de darle servicio al producto.
21. Reemplazo de partes. Cuando es necesario el reemplazo de partes, asegurarse que el servicio técnico use partes especificadas por el fabricante o que tengan las mismas características que las partes originales. El reemplazo de partes no autorizadas puede resultar en fuego, choque eléctrico u otros riesgos.
22. Verificar las medidas de seguridad. Una vez que se ha completado cualquier tipo de servicio o reparación a este

producto, solicitar al técnico de servicio que realice las pruebas de seguridad para poder determinar que el producto está en condiciones apropiadas de operación.

23. Colocación en la pared o techo. El producto debe de colocarse en la pared o techo de acuerdo a como lo especifica el fabricante.
24. Calor. El producto debe colocarse lejos de fuentes de calor como radiadores, registros de calor, estufas u otros productos que producen calor (incluso amplificadores).

NOTICIA FCC

Este dispositivo cumple con la parte 15 de las reglas FCC. La operación del aparato está sujeta a las dos siguientes condiciones: (1) Este aparato no puede causar interferencia perjudicial y (2) este aparato debe aceptar cualquier interferencia recibida, incluyendo interferencias que puedan causar un funcionamiento no deseado.

Nota: Este dispositivo ha sido probado y cumple con las limitaciones de un equipo digital Clase B, de acuerdo con la Parte 15 de las Normas FCC. Estos límites están diseñados para permitir una protección razonable contra interferencia dañina en una instalación residencial. Este equipo genera, usa y puede emitir energía de frecuencia radial y, de no ser instalado y utilizado de acuerdo con las instrucciones, puede causar interferencia dañina a las comunicaciones radiales. Sin embargo, no existe garantía de que la interferencia no pueda ocurrir en una instalación particular. Si este equipo causa una interferencia dañina a la recepción de la radio o la televisión, lo cual se puede determinar encendiendo y apagando el equipo, se recomienda al usuario tratar de corregir la interferencia mediante una o más de las siguientes medidas:

- Orientar nuevamente o reubicar la antena receptora.
- Aumentar la separación entre el equipo y el receptor.
- Conectar el equipo a una salida de un circuito diferente al receptor.
- Consultar a su proveedor o a un técnico de Radio y televisión.

PRECAUCION SOBRE MODIFICACIONES

Cualquier cambio o modificación no expresamente aprobada por la parte responsable del cumplimiento puede anular la autoridad del usuario para operar este reproductor.

ADVERTENCIA

Este producto contiene plomo, una sustancia química que en algunos países se conoce como causante de cáncer, defectos de nacimiento u otros daños reproductivos. **Lavarse las manos después de operarlo.**

PRECAUCION

Este productor cuenta con una clavija polarizada (una terminal más ancha que la otra) como una medida de seguridad para reducir el riesgo de fuego o choque eléctrico. La clavija solo entra de una forma en el tomacorriente. Si la clavija no entra completamente en el tomacorriente, intentar meterla de nuevo volteándola; si tampoco entra completamente, consultar a un electricista o personal calificado para reemplazar el tomacorriente obsoleto. No usar la clavija con un cordón de extensión a menos que la lavija pueda insertarse completamente. No eliminar la característica de seguridad de una clavija polarizada.

No aplicar productos de aceite o petróleo sobre este aparato.

LOS SÍMBOLOS GRÁFICOS CON INFORMACION SUPLEMENTARIA SE ENCUENTRAN EN LA PARTE INFERIOR DE LA UNIDAD.

EL USO DE CONTROLES, AJUSTES O PROCEDIMIENTOS DIFERENTES A LOS EXPLICADOS EN ESTE MANUAL PUEDEN OCASIONAR EXPOSICIÓN A RADIACIÓN LÁSER PELIGROSA.

Especificaciones

SECCION DE DISCO COMPACTO

Canales:	2 Canales
Rango de señal a ruido:	60 dB
Fluctuación:	Indetectable
Frecuencia de barrido:	44.1 kHz 8X sobrebarrido
Cuantización:	Convertidor DA de 1 bit
Captador óptico:	Laser semiconductor
Longitud de onda:	790 nm

SECCION DE RADIO

Bandas de recepción:	AM/FM
Rango de sintonía:	AM: 530 a 1 710 kHz FM: 87.5 a 108 MHz
Antenas:	AM: Barra de ferrita interna FM: Antena alámbrica

GENERAL

Potencia de salida de audio:	2 x 1.2 W
Conector de entrada auxiliar:	Conector estéreo Ø3.5 mm
Fuente de alimentación:	120 V~ 60 Hz 9 Vcc (6 x 1.5 Vcc Baterías "C")
Potencia de entrada:	14 W
Dimensiones:	26.3 cm x 23.8 cm x 14 cm aprox
Peso:	3.09 lbs

General

Fuente de alimentación:	120 Vca 60 Hz 9 Vcc (6 x 1.5 Vcc baterías "C")
-------------------------	---

Nota: Las especificaciones y diseño de este producto están sujetos a cambios sin previo aviso para mejoras de los mismos.

Soporte

Si tiene problemas con la operación del reproductor, favor de consultar las instrucciones en este manual, así como las últimas noticias, recomendaciones y documentación que puede encontrar en nuestra página web www.naxa.com. Si necesita asistencia futura, favor de contactar al centro de servicio autorizado.

http://www.naxa.com/naxa_support/

HECHO EN CHINA