

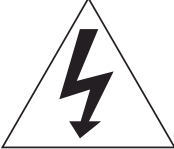

37" Bluetooth® Soundbar & Wireless Subwoofer Home Theater System





MODEL: NHS-2050

Please read this instruction manual carefully and keep it for future reference.

IMPORTANT SAFETY INSTRUCTIONS

	CAUTION RISK OF ELECTRIC SHOCK DO NOT OPEN	
<p>CAUTION: TO REDUCE THE ELECTRIC SHOCK, DO NOT REMOVE THE COVER (OR BACK). NO USER SERVICEABLE PARTS INSIDE. REFER SERVICING TO QUALIFIED SERVICE PERSONNEL.</p>		

 **DANGEROUS VOLTAGE:** The lightning flash with arrowhead symbol within an equilateral triangle is intended to alert the user to the presence of uninsulated “dangerous voltage” within the product’s enclosure that may be of sufficient magnitude to constitute a risk of electric shock to persons.

 **ATTENTION:** The exclamation point within an equilateral triangle is intended to alert the user to the presence of important operating and maintenance (servicing) instructions in the literature accompanying the appliance.

FCC STATEMENT:

This device complies with part 15 of the FCC Rules. Operation is subject to the following two conditions:

- (1) This device may not cause harmful interference, and
- (2) This device must accept any interference received, including interference that may cause undesired operation. The antenna(s) used for this transmitter must be installed to provide a separation distance of at least 8 ft. from all persons and must not be co-located or operated in conjunction with any other antenna or transmitter.

FCC NOTE:

This equipment has been tested and found to comply with the limits for a Class B digital device, pursuant to Part 15 of the FCC Rules. These limits are designed to provide reasonable protection against harmful interference in a residential installation. This equipment generates, uses and can radiate radio frequency energy and, if not installed and used in accordance with the instructions, may cause harmful interference to radio communications. However, there is no guarantee that interference will not occur in a particular installation. If this equipment does cause harmful interference to radio or television reception, which can be determined by turning the equipment off and on, the user is encouraged to try to correct the interference by one or more of the following measures:

- Reorient or relocate the receiving antenna.
- Increase the separation between the equipment and receiver.
- Connect the equipment into an outlet on a circuit different from that to which the receiver is connected.
- Consult the dealer or an experienced radio/TV technician for help.

To assure continued operation, follow the attached installation instructions and use only shielded cables when connecting to other devices. Changes or modifications not expressly approved by the party responsible for compliance could void the user's authority to operate the equipment.


WARNING: TO PREVENT FIRE OR SHOCK HAZARD, DO NOT EXPOSE THIS UNIT TO RAIN OR MOISTURE.

WARNING: USE UNDER SUPERVISION OF AN ADULT DUE TO LONG CORD. This unit has a long cord that can be easily tripped on or pulled on, causing injury. Please make sure it is arranged so that it will not drape over a tabletop, etc., where it can be pulled on by children or tripped over accidentally.

IMPORTANT SAFETY INSTRUCTIONS

Before using the unit, be sure to read all operating instructions carefully. Please note that these are general precautions and may not pertain to your unit. For example, this unit may not have the capability to be connected to an outdoor antenna.

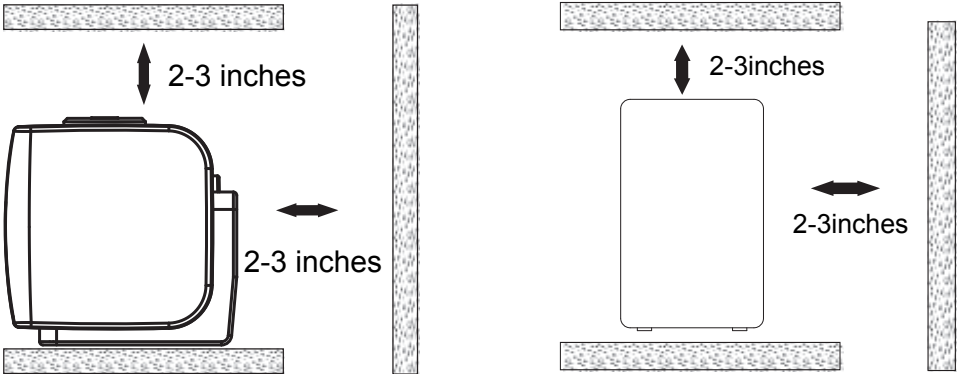
1. Read these instructions – All the safety and operating instructions should be read before the appliance is operated.
2. Keep these instructions – The safety and operating instructions should be kept for future reference.
3. Heed all warnings – All warnings on the appliance and in the operating instructions should be adhered to.
4. Follow all instructions – All operation and use instructions should be followed.
5. Do not use this apparatus near water – The appliance should not be used near water; for example, near a bath tub, washbowl, kitchen sink, laundry tub, in a wet basement, or near a swimming pool.
6. Clean only with dry cloth – The appliance should be cleaned only as recommended by the manufacturer.
7. Do not block any ventilation openings. Install in accordance with the manufacturer's instructions. The appliance should be situated so that its location or position does not interfere with its proper ventilation. For example, the appliance should not be situated on a bed, sofa, rug, or similar surface that may block the ventilation openings; or placed in a built-in installation, such as a bookcase or cabinet that may impede the flow of air through the ventilation openings.
8. Do not install near any heat sources such as radiators, heat registers, stoves, or other apparatus (including amplifiers) that produce heat.
9. Do not defeat the safety purpose of the polarized or grounding-type plug. A polarized plug has two blades and a third grounding prong. The wide or the third prong are provided for your safety. If the provided plug does not fit into your outlet, consult an electrician for replacement of the obsolete outlet.

10. Protect the power cord from being walked on or pinched particularly at plugs, convenience receptacles, and the point where they exit from the apparatus.
11. Only use attachments / accessories specified by the manufacturer.
12. Use only with a cart, stand, tripod, bracket, or table specified by the manufacturer, or sold with the apparatus. When a cart is used, use caution when moving the cart/apparatus combination to avoid injury from tip-over. 
13. Unplug this apparatus during lightning storms or when unused for long periods of time.
14. Refer all servicing to qualified service personnel. Servicing is required when the apparatus has been damaged in any way, such as power-supply cord or plug is damaged, liquid has been spilled or objects have fallen into the apparatus, the apparatus has been exposed to rain or moisture, does not operate normally, or has been dropped.
15. This appliance should not be exposed to dripping or splashing water and no object filled with liquids such as vases should be placed on the apparatus.
16. Power Sources – The appliance should be connected to a power supply only of the type described in the operating instructions or as marked on the appliance. Do not overload wall outlet.
17. Battery should not be exposed to excessive heat such as sunshine, fire, etc.
18. Replace remote control battery only with the same or equivalent type.
19. Do not attempt to dismantle, open or repair this product yourself. If a problem occurs, seek advice from your local qualified service technician or contact the distributor at the telephone number at the back of this instruction manual.
20. Caution marking and nameplate are located on back or bottom of product.

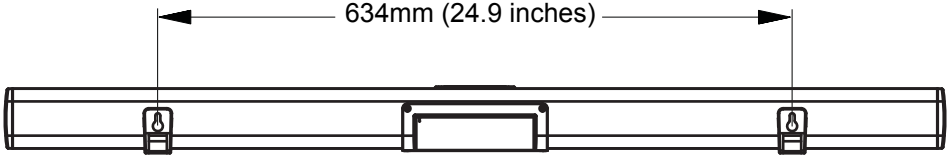
PLACEMENT AND MOUNTING

1. Placing the Device on a Table - Ventilation

When placing the Soundbar and Subwoofer on an entertainment center, bookshelf, or any type of enclosed space, be sure to allow at least 2-3 inches of space around the Sound Bar for ventilation. If the Sound Bar is enclosed in a tight space, without ventilation, heat generated from the Sound Bar could produce a potential heat hazard.

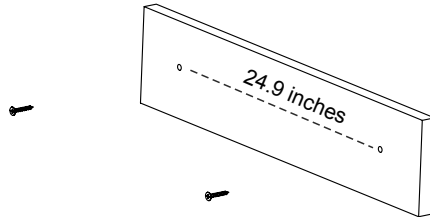


2. The Installation Distance



Mounting to a Wall

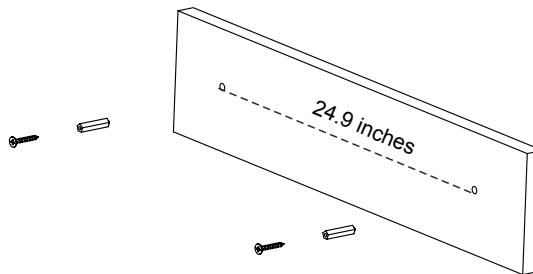
2.1 Mounting to a Wooden Wall



(screws not supplied)

- A. Mark the position of the mounting screws on the wall using a pencil (not supplied).
- B. Drill the screws directly into the marks that you made on the wall and leave approximately 0.3 inch length to hook the Sound Bar.
- C. Put the Sound Bar onto the mounting screws. Make sure they are firm and stable.

2.2 Mounting to a Brick Wall

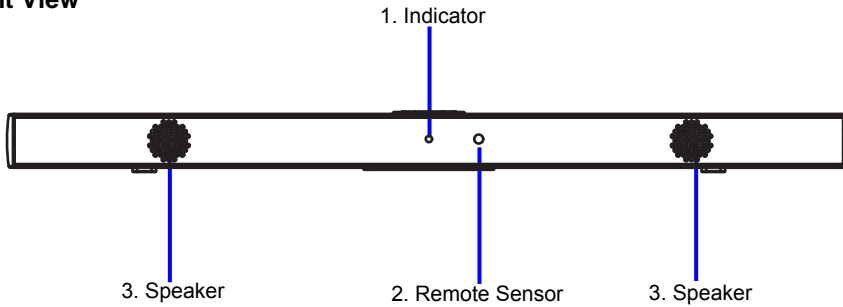


(screws and fixing plugs not supplied)

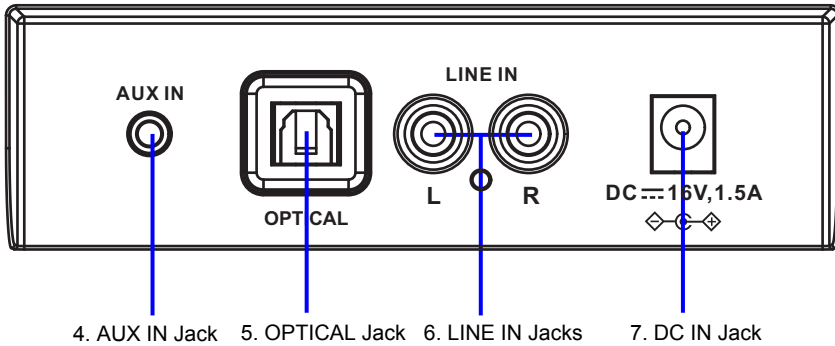
- A. Mark the position of the mounting screws on the wall using a pencil (not supplied).
- B. Drill 2 holes directly into the marks that you made on the wall using an electric drill (not supplied).
- C. Insert the fixing plugs and hammer them into the holes.
- D. Secure the screws into the fixing plugs and leave approximately 0.3 inch length to hook the Sound Bar.
- E. Put the Sound Bar onto the mounting screws. Make sure they are firm and stable.

PRODUCT OVERVIEW

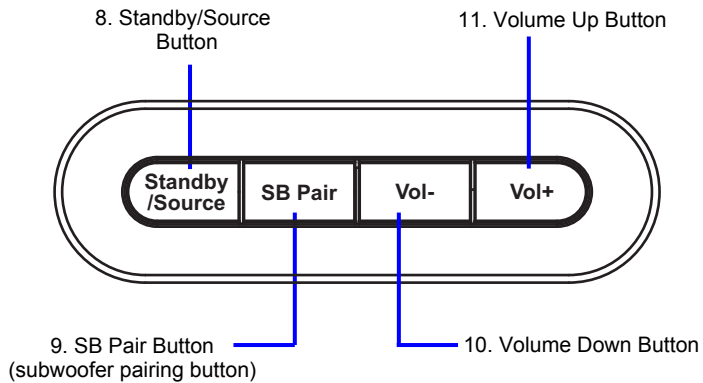
Front View



Rear View

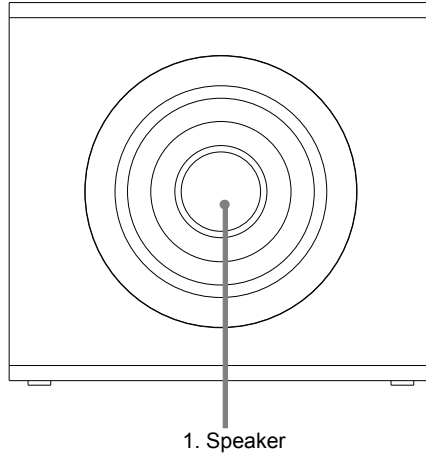


Top View

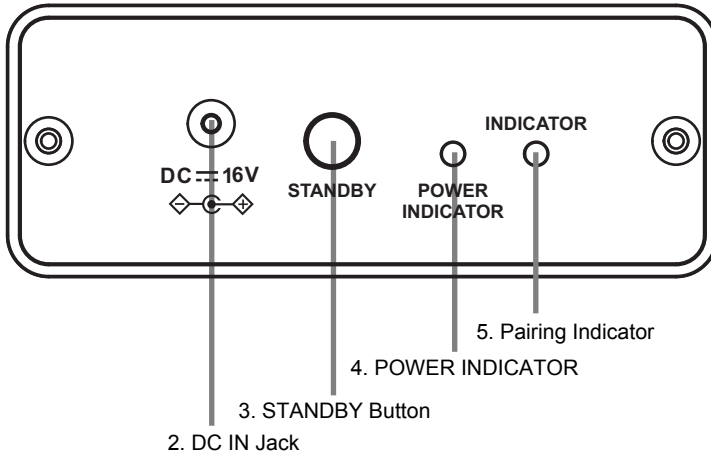


PRODUCT OVERVIEW

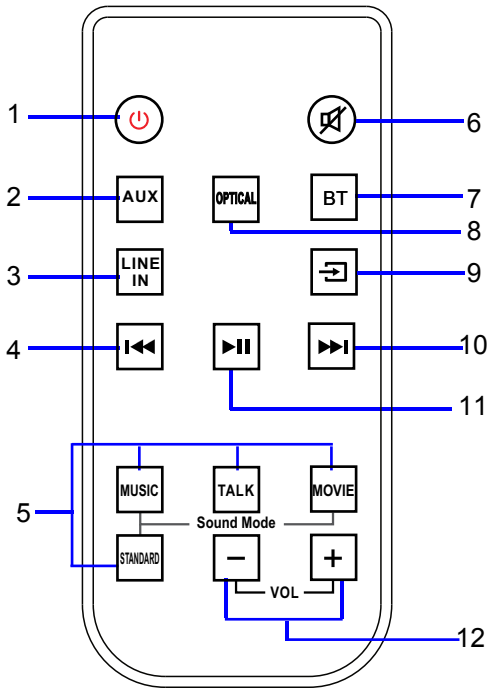
Side View of Subwoofer



Rear View of Subwoofer



REMOTE CONTROL



1. ⏻ (Power On/Off) Button
2. AUX Button
3. LINE IN Button
4. ⏮ (Previous) Button
5. Sound Mode (MUSIC, TALK, MOVIE, STANDARD)
6. 🔇 (Mute) Button
7. BT Button (Bluetooth mode)
8. OPTICAL Button
9. ↺ (Mode Switch) Button
10. ⏭ (Next) Button
11. ▶⏸ (Play/Pause) Button
12. - + (Volume Up/Down) Button

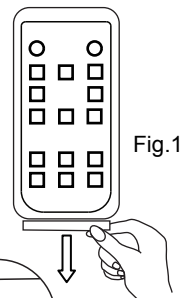
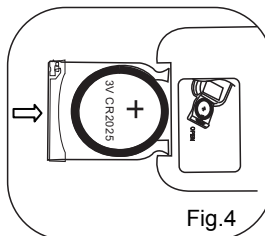
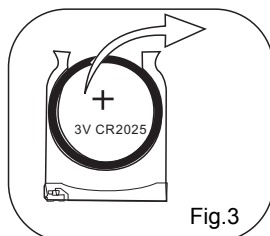
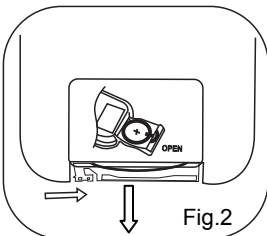
BATTERY INSTALLATION OF REMOTE CONTROL

FIRST TIME USING:

Remove and discard the insulation film, as shown in Fig.1.

BATTERY REPLACING:

- Pull out the battery holder, as shown in Fig.2.
- Replace the old button cell with a new CR2025 button cell with the polarity markings facing upward, as shown in Fig.3.
- Push back the battery holder, as shown in Fig.4.



BATTERY PRECAUTIONS:

Follow these precautions when using a battery in this device:

1. Use only the size and type of battery specified.
2. Be sure to follow the correct polarity when installing the battery as indicated in the battery compartment, a reserved battery may cause damage to the device.
3. Do not mix different types of batteries together (e.g: Alkaline and Carbon-zinc) or old batteries with fresh ones.
4. If the batteries in the device are consumed or the device is not to be used for a long period of time, remove the batteries to prevent damage or injury from possible leakage.
5. Do not try to recharge the battery as it is not intended to be recharged; it can overheat and rupture. (Follow the battery manufacturer's instructions.)
6. The batteries shall not be exposed to excessive heat such as sunshine or fire.
7. Clean the battery contacts and also those of the device prior to battery installation.
8. The remote control is supplied with a coin/button cell battery. If the coin button cell battery is swallowed, it can cause severe internal burns in just 2 hours and can lead to death. Keep new and used battery away from children. If the Battery compartment does not close securely, stop using the product and keep it away from children. If you think batteries might have been swallowed or placed any part of the body, seek immediate medical attention.

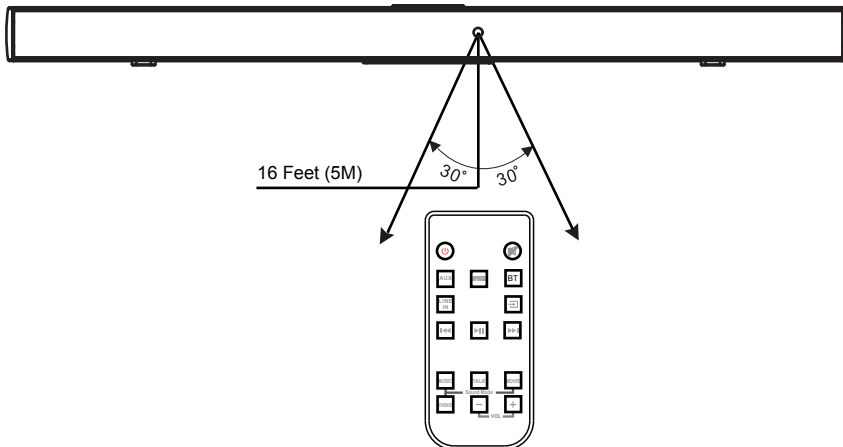


CAUTION

- Danger of explosion if the battery is incorrectly replaced.
- Replace only with the same or equivalent type.

OPERATION RANGE:

- When there is an obstacle between the transmitter and the unit, the unit may not operate.
- When direct sunlight, an incandescent lamp, fluorescent lamp or any other strong light shines on the REMOTE SENSOR of the unit, the operation of the remote may be unstable.



GENERAL OPERATIONS

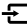
1. Connect the DC 16V, 1.5A adapter to the DC IN jack on the rear of Sound Bar. Plug the adapter into an AC outlet with AC100-240V~ 50/60Hz. The mode Indicator on the Sound Bar will light up and turn RED.
2. Connect the DC16V, 1.5A adapter to the DC IN jack on the Subwoofer. Plug the adapter into an AC outlet with AC100-240V~ 50/60Hz. The Power Indicator on the Subwoofer will light up and turn RED.
3. Press the Standby/Source button on the Sound Bar to turn it on.
4. After a few seconds, the Sound Bar will connect with the Subwoofer automatically, the Pairing Indicator on the Subwoofer will be solid BLUE.

IMPORTANT NOTE: If the Pairing Indicator on the Subwoofer is off, it means the Sound Bar is not connected with the Subwoofer successfully. In which case, please follow the steps below:

A: Press and hold the SB Pair button on the Sound Bar for 3-5 seconds.

B: Press and hold the STANDBY button on Subwoofer to power off, then press the STANDBY button on the Subwoofer to power on again. The Pairing Indicator on the Subwoofer will blink several times, and then turn off, indicating a successful connection with the Sound Bar.

C: Press the SB PAIR button on the Sound Bar, the Pairing Indicator on the Subwoofer will be solid BLUE.


5. Press the  button on remote control or press the Standby/Source button on the Sound Bar repeatedly to switch to the desired mode. Or press the AUX, OPTICAL, BT, LINE IN button on remote control to turn to desired mode directly, the Indicator on front of the Sound Bar will turn to:

Blue.....	Bluetooth Mode
Green.....	LINE IN Mode
Purple.....	OPTICAL IN Mode
Indigo (blue+green).....	AUX IN Mode

6. While Playing:

~ Press the Vol+ or Vol- button on the Sound Bar, or press the + or - button on remote control repeatedly to adjust volume.

The LED will begin flashing when the volume is increased or decreased. The LED will be solid when the volume is at maximum.

~ Press the  button on remote control to turn off sound, the mode indicator on the Sound Bar will blink, press this button again to resume.

~ Press the MUSIC button on remote control to turn to MUSIC sound effect mode.

~ Press the TALK button on remote control to turn to TALK sound effect mode.


~ Press the MOVIE button on remote control to turn to MOVIE sound effect mode.

~ Press the STANDARD button on remote control to turn to normal sound effect mode.

7. When finished listening, unplug the adapter of the Sound Bar and the Subwoofer from AC outlet.

BLUETOOTH OPERATION

1. Power on the Sound Bar and Subwoofer and pair together as previous stated.

2. Press the  button on remote control or press the Standby/Source button on Sound Bar repeatedly, or press BT button on remote control directly to switch to Bluetooth mode, the mode indicator on the Sound Bar will turn Blue and blink.

3. Power on your external Bluetooth-enabled device and enter Bluetooth mode. Begin a search for the Sound Bar.


4. When "NAXA NHS-2050" appears, select it and establish a connection.

5. When successful pairing, the mode indicator will stop blinking.

6. While playing:

~ Press the  or  button on remote control to skip tracks.

~ Press the  button on remote control to pause, press it again to resume.

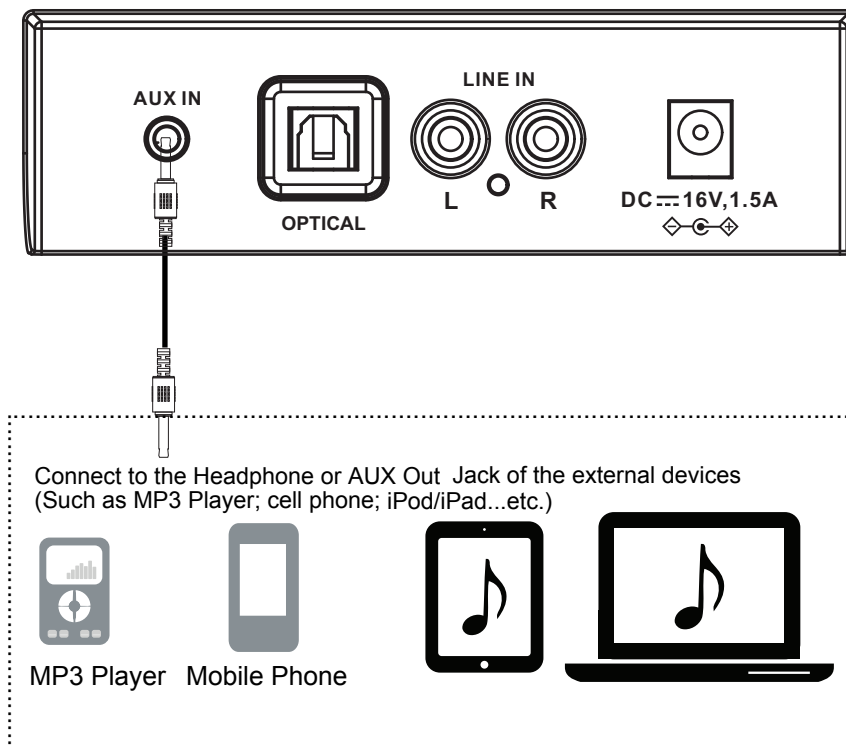
7. Press and hold the  button on remote control to disconnect current connection and go into Bluetooth pairing mode.


NOTE: The Sound Bar will be automatically connected with the last connected Bluetooth device if their Bluetooth function are activated and they are in working range.

AUX-IN OPERATION

An external audio player (such as mobile phone, MP3 player etc.) can be connected to the Sound Bar and played through the Sound Bar's speakers.

1. Plug one end of the AUX IN cable into the AUX IN jack on the rear side of Sound Bar.
2. Plug the other end of the AUX IN cable into the headphone jack or Aux Out jack of the desired external audio player.

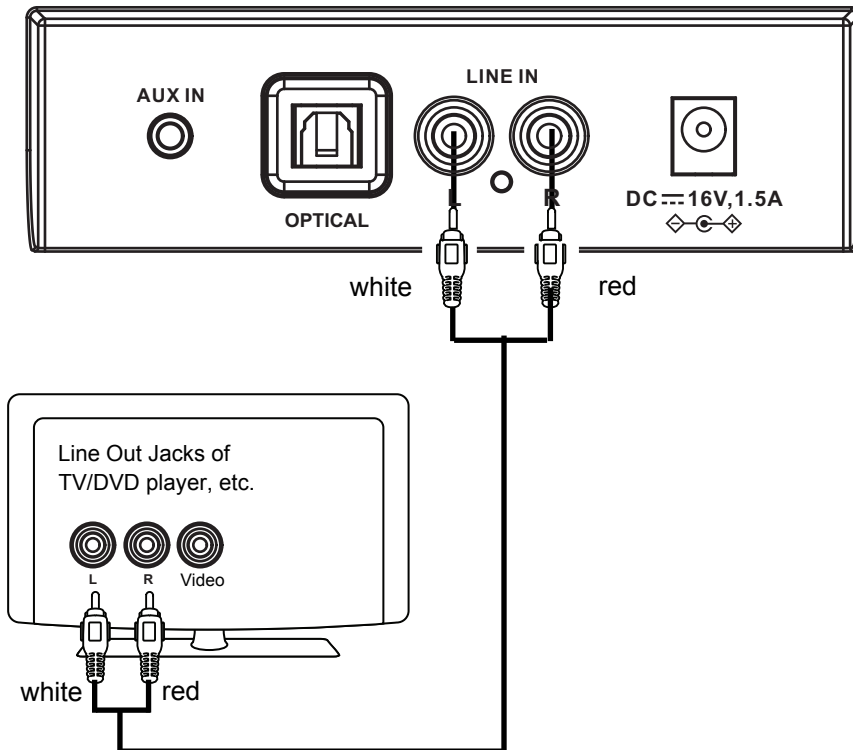



3. Power on the Sound Bar and Subwoofer, and pair together as previous stated.
4. Press the  button on remote control or press the Standby/Source button on Sound Bar repeatedly, or press the AUX button on remote control directly to switch to AUX IN mode, the mode Indicator on the Sound Bar will turn Indigo (Blue +Green).
5. Power on the connected external player and start playing the music as usual.

LINE IN OPERATION

An external Audio/Video player (such as TV, DVD player, etc.) can be connected to the Sound Bar and played through the Sound Bar's speakers.

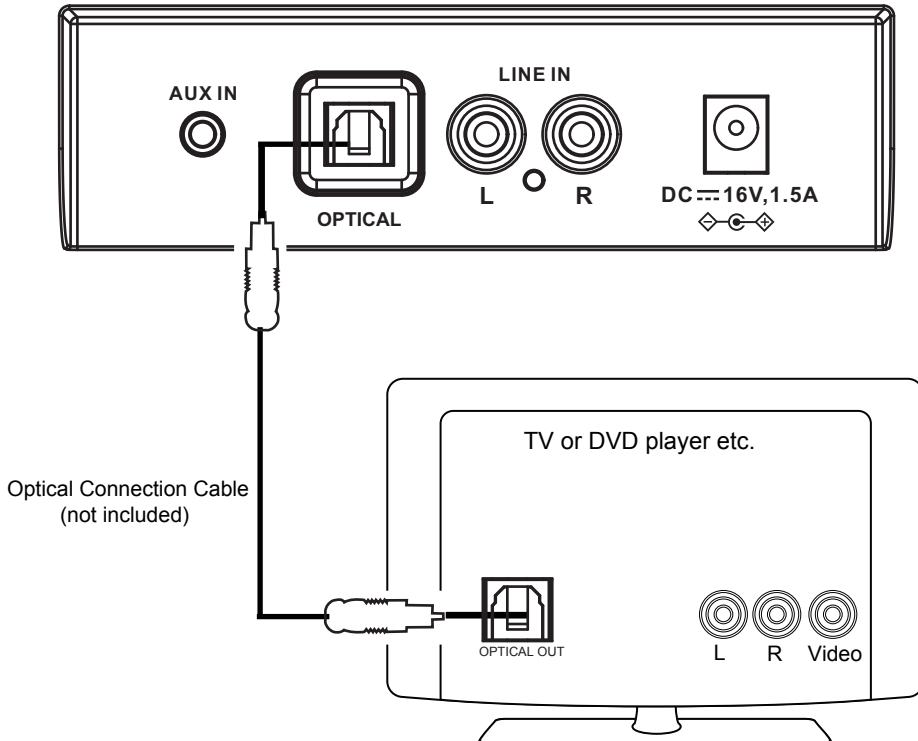
1. Plug one end of the LINE IN cable into the LINE IN jacks [L&R] on the rear of unit.
2. Plug the other end of the LINE IN cable into the Line Out jacks [L&R] on the TV, DVD player, etc.




3. Power on the Sound Bar and Subwoofer, and pair together as previous stated.
4. Press the  button on remote control or press the Standby/Source button on Sound Bar repeatedly, or press the LINE IN button on remote control directly to switch to LINE IN mode, the mode Indicator on the Sound Bar will turn Green.
5. Power on the connected external player and start playing the music as usual.


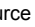
OPTICAL IN OPERATION

1. Connect the Optical Out jack from an external audio player (such as TV, DVD player, etc.) to the OPTICAL jack on the rear of the Sound Bar with the optical connection cable, as illustrated below (For PCM format only):


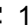


2. Power on the Sound Bar and Subwoofer, and pair together as previous stated.
3. Press the  button on remote control or press the Standby/Source button on Sound Bar repeatedly, or press the OPTICAL button on remote control directly to switch to OPTICAL IN mode, the mode Indicator on the Sound Bar will turn Purple.
4. Power on the connected external player and start playing the music as usual. Turn on the digital audio output and set it to PCM (Pulse Code Modulation) type.

TROUBLESHOOTING GUIDE

SYMPTOM	POSSIBLE CAUSE	POSSIBLE SOLUTION
No power	The adapter is not connected	Connect the adapter to the unit and wall outlet
	The unit is in power off mode	Press the Standby/Source button on the unit or press the  button on remote control to power on the unit
No sound or sound weak	Volume level in minimum position	Raise the volume level by pressing the Vol+ button on the unit or the + button on remote control
	The paired/connected device is not in playback mode	Play music/movie in the paired/connected device as usual and make sure the volume level of it is in high level
	Input source incorrect	Press the  button on remote control or press the Standby/Source on the unit to switch to desired mode
Sound distortion/rattle	Volume level too high	Reduce the volume level by pressing the Vol- Button on the unit or press the - button on remote control Reduce the volume level of the paired/connected device.
Remote Control not functioning	Out of working range	Point the remote control to the remote sensor on the unit within 16 feet, +/-30 degrees
	The battery in the remote control is drained	Replace with new battery
Bluetooth reception failure	The external device is too far from the unit	Put the external BT device close to the unit
	Have not paired	Pair the unit with the BT device as the procedures stated in this manual.

SPECIFICATIONS

Speakers.....	40W RMS: 10W x 2 Sound Bar; 20W x 1 Subwoofer
PMPO Output.....	400W
Wireless Source.....	Bluetooth
Inputs.....	Optical Digital, RCA Stereo, 3.5mm AUX
Installation Option.....	Built-In Wall Bracket
Power Input.....	AC100-240V~, 50/60Hz
Power Output.....	DC 16V  1.5A 
Bluetooth Working Range.....	Up to 33 Feet
Remote Working Range.....	Up to 16 Feet

In the Box

- 1x Sound Bar
- 1x Subwoofer
- 1x User Manual
- 1x Remote Control
- 1x AUX IN Cable (1M)
- 1x LINE IN Cable (1.2M)
- 1x UL Approved Power Adapter for the Sound Bar
- 1x UL Approved Power Adapter for the Subwoofer

**SPECIFICATIONS AND ACCESSORIES ARE SUBJECT TO CHANGE
WITHOUT NOTICE**