



## Instruction Manual

Please read carefully before use and keep for future reference.

---

---

# Important Safety Information



The lightning flash with arrowhead symbol, within an equilateral triangle, is intended to alert the user to the presence of uninsulated “dangerous voltage” within the product’s enclosure that maybe of sufficient magnitude to constitute a risk of electric shock to persons.



The exclamation point within an equilateral triangle is intended to alert the user to the presence of important operating and maintenance (servicing) instructions in the literature accompanying the appliance.

**WARNING:** TO REDUCE THE RISK OF FIRE OR ELECTRIC SHOCK, DO NOT EXPOSE THIS APPARATUS TO RAIN OR MOISTURE.

1. Read these instructions.
2. Keep these instructions.
3. Heed all warnings.
4. Follow all instructions.
5. Do not use this apparatus near water.
6. Clean only with dry cloth.
7. Do not block any ventilation openings. Install in accordance with the manufacturer’s instructions.
8. Do not install near any heat sources such as radiators, heat registers, stoves, or other apparatus (including amplifiers) that produce heat.
9. Do not defeat the safety purpose of the polarized or grounding-type plug. A polarized plug has two blades with one wider than the other. A grounding type plug has two blades and a third grounding prong. The wide blade or the third prong are provided for your safety. If the provided plug does not fit into your outlet, consult an electrician for replacement of the obsolete outlet.
10. Protect the power cord from being walked on or pinched particularly at plugs, convenience receptacles, and the point where they exit from the apparatus.
11. Only use attachments/accessories specified by the manufacturer.

12. Use only with the cart, stand, tripod, bracket, or table specified by the manufacturer, or sold with the apparatus. When a cart is used, use caution when moving the cart/apparatus combination to avoid injury from tip-over.



13. Unplug this apparatus during lightning storms or when unused for long periods of time.

14. Refer all servicing to qualified service personnel. Servicing is required when the apparatus has been damaged in any way, such as power-supply cord or plug is damaged, liquid has been spilled or objects have fallen into the apparatus, the apparatus has been exposed to rain or moisture, does not operate normally, or has been dropped.

## FCC NOTICE

This device complies with Part 15 of the FCC Rules. Operation is subject to the following two conditions: (1) this device may not cause harmful interference, and (2) this device must accept any interference received, including interference that may cause undesired operation.

Note: This equipment has been tested and found to comply with the limits for a Class B digital device, pursuant to Part 15 of the FCC Rules. These limits are designed to provide reasonable protection against harmful interference in a residential

installation. This equipment generates, uses and can radiate radio frequency energy and, if not installed and used in accordance with the instructions, may cause harmful interference to radio communications. However, there is no guarantee that interference will not occur in a particular installation. If this equipment does cause harmful interference to radio or television reception, which can be determined by turning the equipment off and on, the user is encouraged to try to correct the interference by one or more of the following measures:

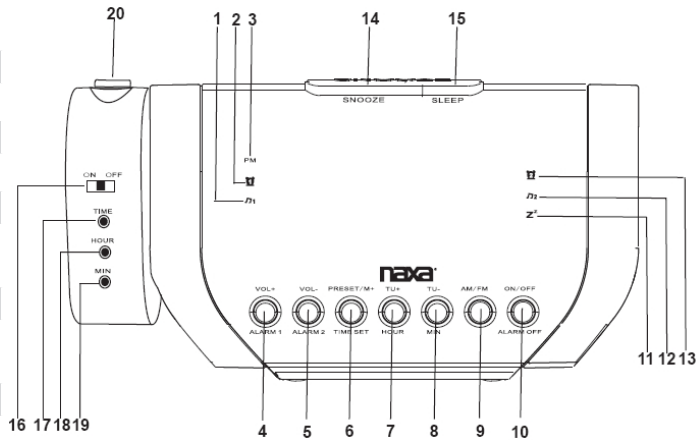
- Reorient or relocate the receiving antenna.
- Increase the separation between the equipment and receiver.
- Connect the equipment into an outlet on a circuit different from that to which the receiver is connected.
- Consult the dealer or an experienced radio/TV technician for help.

## CAUTION ON MODIFICATIONS

Any changes or modifications not expressly approved by the grantee of this device may void the authority granted by the FCC to operate the equipment.

# At a Glance

- 1 PM Indicator
- 2 1st Alarm Indicator Buzzer
- 3 1st Alarm Indicator Music
- 4 Volume Increase/Alarm 1 Set
- 5 Volume Decrease/Alarm 2 Set
- 6 Preset Memory Selection/ Time Set
- 7 Tuning + Button/Hour Button
- 8 Tuning – Button/Minute Button
- 9 AM/FM Button
- 10 On Off/Alarm Off Button
- 11 Snooze Indicator
- 12 2nd Alarm Indicator Radio
- 13 2nd Alarm Indicator Buzzer
- 14 Sleep Button



15 Snooze Button

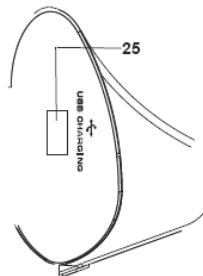
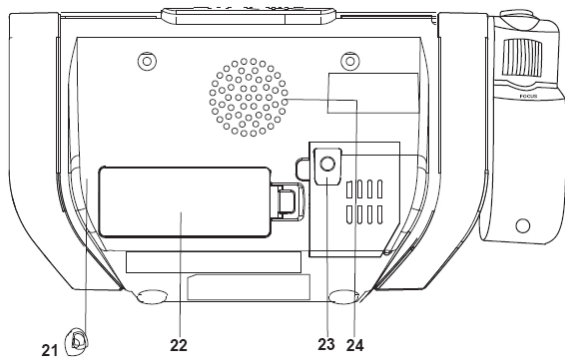
16 Projection ON/OFF

17 Time Set For Projection

18 Hour Set For Projection

19 Minute Set For Projection

20 Focus



21 Antenna

22 Battery Backup Compartment

23 AC Adapter Plug in

24 Speaker

25 USB Charging

---

---

## Connecting the Unit to Power

Before plugging in the AC power cord to the AC wall outlet, make sure that the voltage of your electricity supply is same as that indicated on the rating plate.

## Battery Backup

Battery backup will preserve the current time, alarm settings, and stored radio stations in the case of power failure or interrupted AC power.

Insert two UM-4 batteries (AAA) into the battery compartment. Be sure to observe the proper polarity (the “+” and “-” signs) as indicated inside the battery compartment.

---

---

## Setting the Clock

1. You must switch off the radio before you set the clock time.
2. Press and hold the “TIME SET” button until the display begins to flash.
3. Press the Hour and Minute buttons to adjust the time. Take note of the PM indicator when setting the time.
4. Press the “TIME SET” button again to finish setting the time.

---

---

## To Use the Projector

The clock time must be set on the projector separately. Press and hold the “TIME” button on the projector unit, then press HOUR and

MINUTE to adjust the time. Aim the projector lens at a flat surface, and then turn the focus dial to focus the image.

---

---

## Setting the Alarm

1. You must switch off the radio before you set the alarm time.
2. Press and hold the “ALARM 1” or “ALARM 2” button until the Hour display begins to flash.
3. Press the ALARM 1 button again to select a wake mode (wake by radio or by buzzer). The display will show a picture of a bell to indicate wake by buzzer; the music note logo indicates wake by radio.
4. Set the alarm time after you select the wake up mode. Press the “Hour” button

and the “Minute” button to adjust the time.

5. Press the “ALARM 1” button once more to finish setting the alarm time.

## Canceling the Daily Alarm

Press the “ALARM OFF” button to stop the alarm. The alarm will sound again at the same time on the next day.

## Canceling the Alarm

Press the “ALARM 1” or “ALARM 2” buttons. The display will show “OFF” and all wake up mode icons will also disappear. The alarm setting is canceled now.

## Snooze and Alarm Reset

Press the SNOOZE button when the alarm is sounding to stop the alarm and have it sound again automatically after 9 minutes.

---

---

## Radio

1. Press the “ON/OFF” button to turn the clock radio on or off.
2. Press the “AM/FM” button to select radio band.
3. Press the “TU+” or “TU-” button to tune to the desired station.
4. Press the “VOL +” or “VOL -” button to adjust the volume.
5. Press the “M+” button to save the current station to preset memory. The display will

show “P01” to indicate that the station has been saved as Preset #1. (If it displays “P02” this means the station is saved as Preset #2.



*Please note that all 10 presets must be saved with stations before preset tuning will work.*

---

---

## Setting the Sleep Time

1. You must switch off the radio before you set the sleep time. The radio will turn itself off after the set amount of time has elapsed.
2. Press the Sleep button repeatedly to set the sleep time (90, 80, 70, 60, 50, 40, 30, 20, 10 min or OFF).




---

---

# Charging Your Devices

Connect the standard end of a USB cable (not included) to the USB port on the rear of the unit and connect the other end to the charging port of your device. USB cables may differ by manufacturer, so be sure to use the one provided with your device.

 *Some devices may not support USB charging or may require a higher power rating than this product provides. Observe the charging status on your device, or refer to the manufacturer's specifications. There are many different devices with different power requirements; we cannot guaran-*

*tee charge support for all devices. Ensure that your device is working properly before attempting to charge it.*

---

---

## Specifications

Frequency Range	AM 530 – 1700 kHz FM 88 – 108 MHz
Power Supply	AC 120V ~ 60Hz, 5W
USB Charge Output	DC 5V, 1.2A
Back-Up Battery	2 pc. UM-4 (AAA)

Specifications are subject to change without prior notice.

---

---

# Support

If you have problems with your device, please consult the instructions in this manual. Please also visit us on the web at [www.naxa.com](http://www.naxa.com) to get up to the minute news, alerts, and documentation for your device. For additional assistance, please contact Naxa Technical Support.

## **NAXA Technical Support**

2320 East 49th St.  
Vernon, CA 90058

[http://www.naxa.com/naxa\\_support/](http://www.naxa.com/naxa_support/)



