

17617-CD318BT
227-00318N17-00011
SIZE:200X135mm 70g书写纸
24版12页钉装 两面看排版



Instruction Manual

Please read carefully before use and keep for future reference.

Thank You

We know you have many choices when it comes to technology; thank you for choosing us here at Naxa Electronics. Established in 2001 in Los Angeles, CA, we are dedicated to delivering products that entertain and delight.



We trust that you will be happy with your purchase. Please read this manual carefully and save it for reference. You may also find the latest FAQ documentation, and other product material at our website. Come visit us on the web at www.naxa.com and see all that we have to offer!

In the Box

Please take a moment to make sure that you have everything in the list below. Although we make every effort to ensure that each Naxa device is securely packed and sealed, we know a lot can happen in between us and you. If anything is missing, check back with your local retailer to get immediate assistance. If they cannot help you, please contact our Naxa Support Team at www.naxa.com/supportcenter.

- NPB-276
- AC Power Cord
- Instruction Manual

Warnings and Precautions

	CAUTION WARNING: SHOCK HAZARD. DO NOT OPEN. AVIS: RISQUE DE CHOC ELECTRIQUE. NE PAS OUVRIR	
CAUTION: TO REDUCE THE RISK OF FIRE AND ELECTRIC SHOCK, DO NOT REMOVE THE COVER (OR BACK) OF THE UNIT. REFER SERVICING ONLY TO QUALIFIED SERVICE PERSONNEL.		



The lightning flash with arrowhead symbol within an equilateral triangle is intended to alert the user to the presence of uninsulated "dangerous voltage" within the product's enclosure that may be of significant magnitude to constitute risk of electric shock



The exclamation point within an equilateral triangle is intended to alert the user to the presence of important operation and servicing instructions in the literature accompanying the appliance.

DANGER

CLASS 1 LASER PRODUCT
LUOKAN 1 LASERLAITE
KLASS 1 LASERAPPARAT

This Compact disc player is classified as a Class 1 LASER PRODUCT. THE CLASS 1 LASER PRODUCT label is located on the rear exterior.

NOTE: The manufacturer is not responsible for any radio or TV interference caused by unauthorized modifications.

CAUTION

Do not block the ventilation openings or holes.

Do not place any naked flames (such as lighted candles) on the apparatus.

When discarding batteries, follow all local rules and laws governing the disposal of batteries. Consider the environmental impact of your actions!

To prevent fire or shock hazard, do not expose this appliance to rain or moisture.

Important Safety Information

1. **Read Instructions:** All the safety and operating instructions should be read before the product is operated.
2. **Retain Instructions:** The safety and operating instruction should be retained for future reference.
3. **Heed Warnings:** All warnings on the product and in the operating instructions should be adhered to.
4. **Follow Instructions:** All operating and usage instructions should be followed.
5. **Cleaning:** Unplug this product from the wall outlet before cleaning. Do not use liquid cleaners or aerosol cleaners. Use a damp cloth for cleaning.
6. **Attachments:** Use only attachments recommended by the manufacturer. Use of other attachments may be hazardous.
7. **Water and Moisture:** Do not use this product near water (e.g., near a bathtub, washbowl, kitchen sink, laundry tub, in wet basements, or near a swimming pool and the like).

8. **Accessories:** Do not place this product on an unstable cart, stand, tripod, bracket, or table. Use only with carts, stands, tripods, brackets, or tables recommended by the manufacturer or sold with the product. Any mounting of the product should follow the manufacturer's instructions and should use a mounting accessory recommended by the manufacturer. A product and cart combination should be moved with care. Quick stops, excessive force, and uneven surfaces may cause the product and cart combination to overturn.
9. **Ventilation:** Slots and openings in the cabinet are provided for ventilation to ensure reliable operation of the product and to protect it from overheating. These openings should never be blocked by placing the product on a bed, sofa, rug, or other similar surface. This product should not be placed in a built-in installation such as a bookcase or rack unless proper ventilation is provided or the manufacturer instructions have been adhered to.
10. **Power Sources:** This product should be operated only from the type of power source indicated on the rating label. If you are not sure of the type of power supply to your home, consult your product dealer or local power company. For products intended to operate from battery power or other sources, refer to the operating instructions.
11. **Grounding or Polarization:** This product may be equipped with a polarized alternating-current line plug that has one blade wider than the other. This plug will only fit into the power outlet in one direction. This is a safety feature. If you are unable to insert the plug fully into the outlet, try reversing the direction of the plug. If the plug should still fail to fit, contact an electrician to replace the obsolete outlet. Do not defeat the safety purpose of the polarized plug.
12. **Power-Cord Protection:** Power supply cords should be routed so that they are not likely to be walked on or pinched by items placed upon



- or against them, paying particular attention to cords at plugs, convenience receptacles, and at the point which they exit from the product.
13. **Protective Attachment Plug:** The product may be equipped with an attachment plug with overload protection. This is a safety feature. See the operating instructions for replacement or directions to reset the protective device. If replacement of the plug is required, be sure the service technician has used a replacement plug that has the same overload protection as the original plug as specified by the manufacturer.
14. **Lightning:** For added protection for this product, unplug it from the wall outlet during a lightning storm or when it is left unattended and unused for long periods of time. This will prevent damage to the product due to lightning or power-line surges.
15. **Overloading:** Do not overload wall outlets, extension cords, or integral convenience receptacles as this can result in a risk of fire or electric shock.
16. **Object and Liquid Entry:** Never push objects of any kind into this product through openings as they may touch dangerous voltage points or short-out parts that could result in a fire or electric shock. Never spill liquid of any kind on the product.
17. **Servicing:** Do not attempt to service this product yourself as opening or removing covers may expose you to dangerous voltage or other hazards. Refer all servicing to qualified service personnel.
18. **Damage Requiring Service:** Unplug this product from the wall outlet and refer servicing to qualified service personnel under the following conditions: a) when the power-supply or plug is damaged; b) if liquid has been spilled or if objects have fallen into the product; c) if the product has been exposed to rain or water; d) if the product does not operate normally by following the operating instructions. Adjust only those controls that are covered by the operating instructions as improper adjustment of other controls may result in damage and will often require extensive work by a qualified technician to restore the

product to its normal operation; e) if the product has been dropped or damaged in any way; f) when the product exhibits a distinct change in performance—this indicates a need for service.

19. **Replacement Parts:** When replacement parts are required, be sure that your service technician has used replacement parts specified by the manufacturer or have the same characteristics as the original part. Unauthorized substitutions may result in fire, electric shock, or other hazards.
20. **Safety Check:** Upon completion of any service or repairs to this product, ask the service technician to perform safety checks to ensure that the product is in proper operating condition.
21. **Wall or Ceiling Mounting:** The product should be mounted to a wall or ceiling only as recommended by the manufacturer.
22. **Heat:** The product should be situated away from heat sources such as radiators, heat registers, stoves, or other products (including amplifiers) that produce heat.

WARNING:

This product contains lead, a chemical known to the State of California to cause cancer and birth defects or other reproductive harm. ***Wash hands after handling.***

FCC NOTICE

This device complies with Part 15 of the FCC Rules. Operation is subject to the following two conditions: (1) this device may not cause harmful interference, and (2) this device must accept any interference received, including interference that may cause undesired operation.

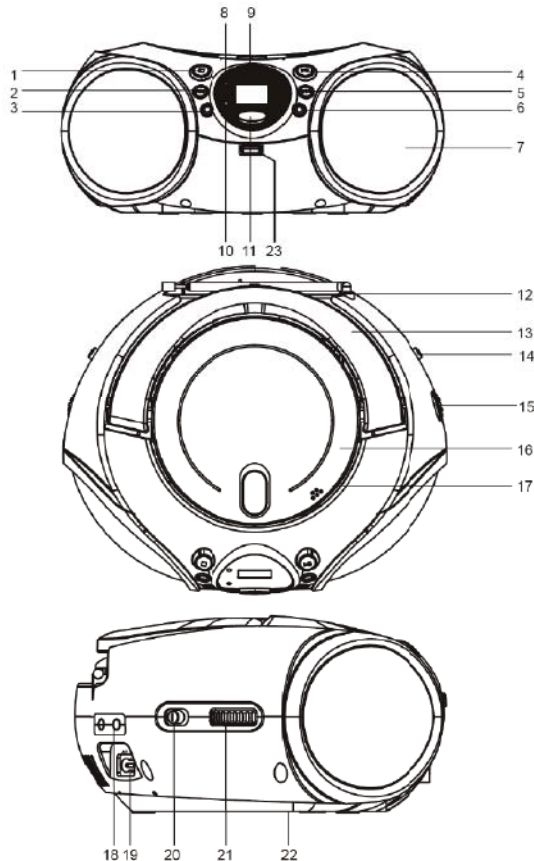
Note: This equipment has been tested and found to comply with the limits for a Class B digital device, pursuant to Part 15 of the FCC Rules. These limits are designed to provide reasonable protection against harmful interference in a residential installation. This equipment generates, uses and can radiate radio frequency energy and, if not installed and used in accordance with the instructions, may cause harmful interference to radio communications. However, there is no guarantee that interference will not occur in a particular installation. If this equipment does cause harmful interference to radio or television reception, which can be determined by turning the equipment off and on, the user is encouraged to try to correct the interference by one or more of the following measures:

- Reorient or relocate the receiving antenna.
- Increase the separation between the equipment and receiver.
- Connect the equipment into an outlet on a circuit different from that to which the receiver is connected.
- Consult the dealer or an experienced radio/TV technician for help.

CAUTION ON MODIFICATIONS

Any changes or modifications not expressly approved by the grantee of this device may void the authority granted by the FCC to operate the equipment.

At a Glance



1. STOP/USB BUTTON
2. CD SKIP/SEARCH BACK BUTTON
3. CD FOLD.-/-10 BUTTON
4. CD PLAY/PAUSE BUTTON
5. CD SKIP/SEARCH NEXT BUTTON
6. CD FOLD.+/+10 BUTTON
7. SPEAKERS
8. POWER INDICATOR
9. LCD DISPLAY
10. FM STEREO INDICATOR
11. CD PROG./P-MODE BUTTON
12. FM TELESCOPIC ANTENNA
13. FOLDING HANDLE
14. BAND SELECTOR
15. TUNING CONTROL
16. CD COMPARTMENT
17. CD DOOR PUSH OPEN
18. AUX JACK
19. AC SOCKET
20. FUNCTION SWITCH
21. VOLUME CONTROL
22. BATTERY COMPARTMENT
23. USB PORT

Connecting Power

Use the included AC power adapter to connect the unit to AC household power.

- Connect the two-pronged end of the adapter to a household power outlet.
- Connect the barrel plug end of the adapter to the Power socket [19] of the unit.



The adapter supports AC 110/220 V power only. Do not connect the power adapter to a power outlet other than that which is indicated here and on the rating label of the power adapter as this may result in the risk of fire or electric shock.

Connecting DC Power

Open the Battery Compartment Door [22]. Install 6 pcs. UM-2 “C” size batteries (not included) into the compartment. Please follow the correct polarities as indicated.

CAUTION

- Remove batteries if they are flat or not being used for a long period of time.
- Batteries contain chemical substances, so they should be disposed properly.

Getting Started

Turning the Unit On

Switch the Function [20] switch to CD/MP3/USB/AUX or RADIO.

Adjusting the Volume

Rotate the Volume Control back and forth to increase and decrease the volume.

Listening to FM Radio

1. Turn ON the unit and select the Radio position.
2. Slide the BAND [14] switch to select the desired wave band: AM/FM ST.
3. Tune to the desired station by rotating the tuning knob.
4. Adjust the volume level to your desired level.
5. Extend the TELESCOPIC ANTENNA to its full length when listening to FM broadcasting.
6. Turn off the radio by switching the FUNCTION [20] switch to the “OFF” position.

CD/MP3 Player Operation

Discs for Playback

This system can playback all digital audio CD, MP3 finalized digital audio CD-Recordable (CD-R) discs, finalized digital audio CD-Rewritable (CD-RW) discs and CD-DA format digital audio CD/CD-R/CD-RW discs.

Loading a Disc

1. Set the FUNCTION [20] switch to CD/MP3/USB/AUX position.
2. Press PUSH OPEN [17] on the CD Door to open.
3. Place an audio CD into the tray with the label side facing up.
4. Close the CD door. The total number of tracks will appear on the display after several seconds.
5. To remove the CD, press PUSH OPEN [17] to open CD compartment lid, grasp the CD by its edges, and carefully take it out.



To ensure proper system performance, wait until the the disc tray completely reads the disc before proceeding. If no disc is loaded into the compartment, or the disc is placed upside down, the display will show N0d.

Playing a Disc

1. Press the Play/Pause [4] button to start playback.
2. Press the Play/Pause [4] button again to Pause playback. Press the Play/Pause [4] button again to resume.
3. To Stop playback, press the Stop/USB button, the total number of tracks will appear on the display.

Selecting a Desired Track

To select a desired track

- Press the CD Skip/Search Next/Back [5] button repeatedly in stop mode or during playback until the desired track appears on the display.
- Press the Play/Pause button to start playback.

Selecting a Desired Track exceeding 10

To select a song/track which number exceeds 10, Press the FOLD+ /+10 [6] button each time to skip forward/backward 10 tracks, then press the CD SKIP FORWARD/BACKWARD [5] button to select desired track. For example: to select the 17th track, press FOLD+ /+10 [6] button, and then the CD SKIP FORWARD [5] button six times immediately.

Select a Desired Folder (MP3 Disc)

(if the MP3 disc contains more than one folder)

To skip to the desired folder during playback, press and hold the FOLD+ /+10 [6] or FOLD- /-10 [3] button for about 2 seconds to skip to next/previous folder.

Program Tracks

Programming tracks of disc are possible when playback is stopped. Up to CD 20 tracks /MP3 99 tracks can be stored in the memory in any order.

1. In stop mode, press the PROG./P-MODE button, the PROG will flash and the P01 indicator will be on.
2. Press the CD SKIP/SEARCH NEXT button to select the first desired track to be programmed.
3. Press the PROG./P-MODE button to enter. The display changes to show P02.
4. Repeat steps 2 & 3 to store other desired tracks until all tracks are programmed.
5. Press the PLAY/PAUSE button to start playback from the first programmed track.
6. Press the STOP/USB button to stop program playback.

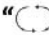
To Erase the Memory (Program)

To clear the program, you have two options:


1. Press the STOP/USB button when the disc is stopped.
2. Open the CD compartment lid and the program will be erased.

Repeat


To Repeat a Single Track

1. Press the PROG./P-MODE button once in play mode, “” will flash on the display. The current track will be played repeatedly until the STOP button is pressed.
2. Press the PROG./P-MODE button once more to cancel.

To Repeat all the Tracks

1. Press PROG./P-MODE button in play mode, until “” shows steady on the display, all tracks on the disc will be played repeatedly until the STOP button is pressed.
2. To cancel repeat play, press the PROG./P-MODE button once more.

To repeat current Directory (for MP3 only)

1. Press PROG./P-MODE button in play mode, until “” FOLDER” shows steady on the display, The current directory will be played repeatedly until the STOP button is pressed.
2. Press the PROG./P-MODE button once to cancel.

Random Playback

Press the PROG./P-MODE button in play mode till the “RDM ” shows steady on the display, the random play will start from next track automatically(or press CD skip forward button), until all tracks are played over and then stop. Press the PROG./P-MODE button once to cancel.

Introsan Playback (CD discs only)

Press the PROG./P-MODE button in play mode till the “INTRO” shows steady on the display, the unit will start to play the first 10 seconds of music of each track, until all tracks are played over and then stop. Press the PROG./P-MODE button once to cancel.

AUX IN MODE

This unit provides a special AUX-IN jack. This input allows other audio sources to be amplified while connected.

1. Set the FUNCTION switch to CD/MP3/USB/AUX position.
2. Connect the audio cable into the AUX-IN jack and the other end connect to the AUDIO OUT jack of the external audio source. The unit will change to AUX mode automatically.

3. Adjust the volume of the main unit to your desired level.
4. Press PLAY on the external audio source (eg. MP3 player/mobile phone) to start playback.

Using USB Mode

1. Set the FUNCTION button to “CD/MP3/USB/AUX” position, press and hold the STOP/USB button for about 2 seconds to enter the USB mode.
2. Connect a USB drive to the USB INPUT. The LCD will show the total number of tracks stored in the USB. Press the PLAY/PAUSE button to start playback.
3. Press PLAY/PAUSE button to pause and resume playback.
4. Press the STOP/USB button to stop playing. The display will show total number of tracks and STOP.
5. To repeat tracks, please see operation as described in above “CD/MP3 OPERATION”.



Do not use any USB extension cable for connecting the USB device to avoid any conflict.

Specifications

Power Source	AC 110 / 220V ~60/50 Hz DC 9V 1.5V UM-2/ "C" x 6pcs (not included)
---------------------	---

Power Consumption	13W
--------------------------	-----

Speaker Output Power	1.2W x 2
-----------------------------	----------

Radio	AM/FM
--------------	-------

Tuning Range	AM 530 – 1710 KHz FM 87.5 – 108 MHz.
---------------------	---

Frequency Response	100Hz – 16KHz
---------------------------	---------------

Specifications are subject to change without prior notice.

Support

If you have problems with your device, please consult the instructions in this manual. Please also visit us on the web at www.naxa.com to get up to the minute news, alerts, and documentation for your device. For additional assistance, please contact Naxa Technical Support.

NAXA Technical Support

2320 East 49th St.

Vernon, CA 90058

866-411-6292

<http://www.naxa.com/supportcenter/>

MADE IN CHINA



**Reproductor Portátil MP3/CD
con Radio AM/FM y Puerto USB
NPB-276**



MANUAL DE OPERACIÓN

**FAVOR DE LEER ESTE MANUAL COMPLETAMENTE ANTES DE OPERAR ESTE PRODUCTO.
CONSERVAR EL MANUAL PARA FUTURAS REFERENCIAS**

Agradecimiento

Sabemos que usted tiene muchas opciones cuando se trata de tecnología; gracias por elegir los productos de Naxa Electronics. Fundada en 2001 en Los Ángeles, California, estamos dedicados a ofrecer productos que entretienen y satisfacen sus necesidades.



Confiamos en que usted será feliz con su compra. Favor, de leer atentamente este manual y guárdelo para futura referencia. Usted también puede encontrar las preguntas más frecuentes, documentación y otro material del producto en nuestro sitio web. Venga a visitarnos en www.naxa.com y ver todo lo que tenemos para ofrecer

Contenido en el empaque

Favor de tomar unos momentos para asegurarse de que se tiene todo lo que se enlista abajo. Aunque hacemos todo lo posible para asegurarnos de que cada dispositivo Naxa esté bien empacado y sellado, sabemos que pueden pasar muchas cosas durante el empacado y transporte. Si falta algún componente, acudir inmediatamente con el proveedor para obtener asistencia inmediata. Favor de contactar al equipo de soporte naxa en www.naxa.com/supportcenter

- Reproductor NPB-276
- Cordón de alimentación
- Manual de operación

Advertencias y Precauciones

	PRECAUCIÓN RIESGO DE CHOQUE ELÉCTRICO, NO ABRIR	
PRECAUCIÓN: PARA REDUCIR EL RIESGO DE CHOQUE ELECTRICO NO REMOVER LA CUBIERTA (O TAPA), DENTRO DE ESTE APARATO NO HAY PARTES QUE EL USUARIO PUEDA DARLE SERVICIO, ACUDIR A UN CENTRO DE SERVICIO AUTORIZADO O CON PERSONAL CALIFICADO.		



El símbolo del relámpago con punta de flecha dentro de un triángulo, es diseñado para advertir al usuario de voltajes peligrosos no aislados dentro del producto que pueden ser de magnitud suficiente para constituir riesgo de fuego o choque eléctrico para las persona.



El símbolo de exclamación dentro de un triángulo, es para alertar al usuario de la presencia de instrucciones importantes de operación, mantenimiento y servicio que se encuentran dentro de este instructivo

PELIGRO

CLASS 1 LASER PRODUCT LUOKAN 1 LASERLAITE KLASS 1 LASERAPPARAT	Este reproductor de disco compacto es clasificado como un PRODUCTO LÁSER CLASE 1 . La etiqueta de PRODUCTO LÁSER CLASE 1 está localizada en la parte posterior del gabinete.
---	--

NOTA: El fabricante no asume responsabilidad alguna por cualquier interferencia de Radio o TV causada por modificaciones no autorizada en el producto.

Precaución

- No bloquear las ranuras de ventilación.
- No colocar fuentes generadoras de flama (como velas, veladoras, etc.) cerca o sobre la unidad.
- Al desechar las baterías seguir la reglas de desechos sólidos de su localidad para evitar daños al medio ambiente.
- Radiación láser invisible peligrosa al abrir y liberar los seguros. Evitar la exposición a la radiación láser.
- Para prevenir riesgo de fuego o choque eléctrico no exponer esta unidad al goteo o salpicadura de agua, a la lluvia o humedad.

Importante Información de Seguridad

1. Leer las instrucciones. Deben leerse todas las instrucciones de operación y de seguridad antes de operar este producto.
2. Conservar las instrucciones. Deben conservarse las instrucciones de operación y seguridad para futuras referencias.
3. Poner atención a las advertencias. Todas las advertencias en el producto y las instrucciones de operación y seguridad deben de respetarse.
4. Seguir las instrucciones. Deben seguirse todas las instrucciones de uso y operación.
5. Limpieza. Desconectar el cordón de alimentación del tomacorriente antes de darle mantenimiento o limpieza al reproductor. Limpiar con una tela, suave, limpia y seca, No usar limpiadores líquidos o en aerosol.
6. Accesorios. Usar solo accesorios/refacciones recomendados por el fabricante.
7. Agua y humedad. No usar este producto cerca del agua, por ejemplo cerca de una bañera, lavabo, fregadero de cocina o de lavar, sótanos húmedos o cerca de una piscina.

8. Manejo y desplazamiento. No colocar este producto en un carrito, plataforma, repisa o mesa inestables, el producto puede caerse generando serias lesiones y daños a las personas y/o al producto. Usar este producto solo con el carrito, plataforma, repisa o mesa recomendado por el fabricante o vendido con el producto. La combinación del producto y de un carrito debe moverse con cuidado. Las paradas repentinas, fuerza excesiva y las superficies desniveladas pueden generar que el producto y el carrito se vuelquen.
9. Ventilación. Las ranuras y aberturas en la parte posterior y posterior del gabinete son provistas para la ventilación y asegurar la buena operación del producto y protegerlo del sobrecalentamiento. No deben bloquearse o taparse estas aberturas, colocando el producto sobre una cama, sofá alfombra u otra superficie similar. El producto no debe colocarse cerca o sobre un radiador o fuentes de calor. Este producto no debe colocarse en un librero o estante que impida el flujo del aire a través de las ranuras de ventilación.
10. Fuentes de alimentación. Este producto debe ser operado solo con los tipos de fuentes de alimentación indicados en la etiqueta de marcado, si no está seguro del tipo de la fuente de poder de su casa, consultar con su proveedor o con la compañía de electricidad local. Para producto diseñados para operar con baterías u otras fuentes, referirse al manual de operación.
11. Terminal de tierra y polarización. No eliminar la característica de seguridad de una clavija polarizada o clavija con terminal a tierra, esta es una medida de seguridad. Una clavija polarizada cuenta con dos terminales con una terminal más ancha que la otra. Una clavija con terminal a tierra cuenta con dos terminales con una tercera terminal con conexión a tierra. Si la clavija no entra completamente en el tomacorriente, intentar meterla nuevamente volteándola; si tampoco entra completamente consultar a un electricista o personal calificado para reemplazar el tomacorriente obsoleto.



12. Protección del cordón de alimentación. El cordón de alimentación debe colocarse de forma tal que no exista probabilidad de pisarlo o apretarlo sobre los lugares donde será colocado o contra el producto mismo. Poner atención particular en el cordón, la clavija, el tomacorriente y en los puntos en donde estos salen del producto.
13. Clavija con protección. Este producto puede contar con una clavija con protección contra sobrecarga. Esta es una característica de seguridad. Ver las instrucciones de operación para reemplazar o restablecer el dispositivo de protección. Si requiere reemplazar la clavija, asegurarse que se use una clavija con protección contra sobrecarga original y de las mismas características de acuerdo a lo especificado por el fabricante.
14. Tormentas eléctricas o periodos sin uso. Desconectar este producto del tomacorriente durante tormentas eléctricas o cuando va ser usado por un período largo de tiempo para protegerlo. También desconectar la antena exterior o el sistema de cable. Esto protege al producto de daños debido a los rayos o sobre líneas de poder.
15. Sobrecarga. No sobrecargar los tomacorrientes, cordones de extensión y los receptáculos ya que pueden generar riesgo de fuego o choque eléctrico.
16. Entrada de objetos y líquidos. No introducir objetos de cualquier tipo dentro de este producto a través de las ranuras o aberturas, estos pueden llegar a tocar puntos de voltaje peligroso o salidas que pueden resultar en riesgo de fuego o choque eléctrico. No derramar o rociar cualquier tipo de líquido sobre las ranuras de ventilación del producto.
17. Servicio. No intentar dar servicio usted mismo a este producto, abriendo o removiendo las cubiertas, puede exponerse a voltajes peligrosos u otros riesgos.
18. Daños que requieren servicio. Desconectar el producto del tomacorriente de pared y acudir a un centro de servicio autorizado o con personal calificado bajo las siguientes condiciones

- a) Cuando la clavija o el cordón de alimentación estén dañados.
 - b) Cuando ha sido derramado líquido o han caído objetos en el interior del producto.
 - c) Si el producto ha sido expuesto a la lluvia o agua.
 - d) Si el producto no opera adecuadamente siguiendo las instrucciones de operación. Ajustar solo los controles que son indicados en este manual de operación. El ajuste de otros controles puede ocasionar daños y a menudo se requiere de trabajo excesivo del servicio técnico para restablecer la operación normal del producto.
 - e) Si el producto se ha caído o golpeado o si la cubierta está dañada.
 - f) Si el producto exhibe cambios en su funcionamiento normal. Todo lo anterior indica la necesidad de darle servicio al producto.
19. Reemplazo de partes. Cuando es necesario el reemplazo de partes, asegurarse que el servicio técnico use partes especificadas por el fabricante o que tengan las mismas características que las partes originales. El reemplazo de partes no autorizadas puede resultar en fuego, choque eléctrico u otros riesgos.
20. Verificar las medidas de seguridad. Una vez que se ha completado cualquier tipo de servicio o reparación a este producto, solicitar al técnico de servicio que realice las pruebas de seguridad para poder determinar que el producto está en condiciones apropiadas de operación.
21. Colocación en la pared o techo. El producto debe de colocarse en la pared o techo de acuerdo a como lo especifica el fabricante.
22. Calor. El producto debe colocarse lejos de fuentes de calor como radiadores, registros de calor, estufas u otros productos que producen calor (incluso amplificadores).

ADVERTENCIA

Este producto contiene plomo, una sustancia química que en algunos países se conoce como causante de cáncer, defectos de nacimiento u

otros daños reproductivos. **Lavarse las manos después de operarlo.**

NOTICIA FCC

Este dispositivo cumple con la parte 15 de las reglas FCC. La operación del aparato está sujeta a las dos siguientes condiciones: (1) Este aparato no puede causar interferencia perjudicial y (2) este aparato debe aceptar cualquier interferencia recibida, incluyendo interferencias que puedan causar un funcionamiento no deseado.

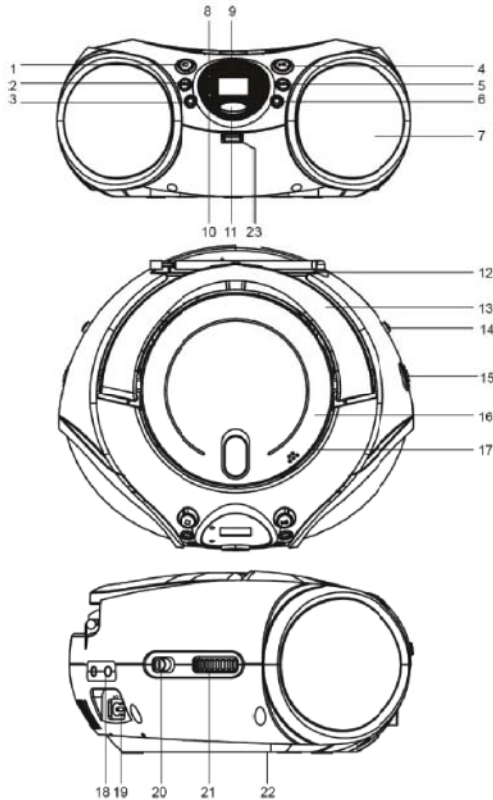
Nota: Este dispositivo ha sido probado y cumple con las limitaciones de un equipo digital Clase B, de acuerdo con la Parte 15 de las Normas FCC. Estos límites están diseñados para permitir una protección razonable contra interferencia dañina en una instalación residencial. Este equipo genera, usa y puede emitir energía de frecuencia radial y, de no ser instalado y utilizado de acuerdo con las instrucciones, puede causar interferencia dañina a las comunicaciones radiales. Sin embargo, no existe garantía de que la interferencia no pueda ocurrir en una instalación particular. Si este equipo causa una interferencia dañina a la recepción de la radio o la televisión, lo cual se puede determinar encendiendo y apagando el equipo, se recomienda al usuario tratar de corregir la interferencia mediante una o más de las siguientes medidas:

- Orientar nuevamente o reubicar la antena receptora.
- Aumentar la separación entre el equipo y el receptor.
- Conectar el equipo a una salida de un circuito diferente al receptor.
- Consultar a su proveedor o a un técnico de Radio y televisión.

PRECAUCION SOBRE MODIFICACIONES

Cualquier cambio o modificación no expresamente aprobada por la parte responsable del cumplimiento puede anular la autoridad del usuario para operar este reproductor.

Descripción de Partes



1. Botón de Detener / USB "STOP/USB ■"
2. Botón de Búsqueda / Anterior "BACK ◀"
3. Botón de Carpeta-/-10 "Fold-/-10"
4. Botón de Reproducir/Pausar "▶ ||"
5. Botón de Búsqueda / Siguiente "NEXT ▶▶"
6. Botón de Carpeta+ /+10 "Fold+ /+10"
7. Bocinas
8. Indicador de Poder
9. Pantalla de cristal líquido
10. Indicador de FM estéreo
11. Botón de Programa / Modo "PROGRAM/P. MODE"
12. Antena telescópica de FM
13. Asa
14. Selector de Banda "BAND"
15. Control de sintonía
16. Compartimiento del disco compacto
17. Área para abrir compartimiento del disco compacto
18. Conector de Entrada Auxiliar "AUX"
19. Conector de alimentación de Vca
20. Selector de Función
21. Control de Volumen
22. Compartimiento de las baterías
23. Puerto USB

Fuente de Alimentación

Operación con Vca

Verificar que el voltaje de su localidad corresponde con el voltaje marcado en el producto.

1. Conectar el extremo correspondiente del cordón de alimentación en el conector de alimentación de Vca (19).
2. Conectar el otro extremo del cordón de alimentación (clavija) en un tomacorriente (si hay baterías instaladas, estas se desconectan automáticamente al conectar el cordón de alimentación)

Operación con baterías (Vcc)

Remover la tapa del compartimiento de las baterías. Insertar 8 baterías de 1,5 Vcc tamaño "D", "UM-1" o equivalentes (no incluidas), verificar la correcta polaridad cómo se observa en el interior del compartimiento. Colocar la tapa del compartimiento de las baterías nuevamente.

Precauciones

- Remover las baterías si están agotadas o si el producto no va ser usado por un periodo largo de tiempo.
- Las baterías contienen sustancias químicas, estas deben ser desechadas de forma adecuada para evitar daños al medioambiente.

Iniciando

Encender la unidad

Colocar el selector de función en la posición deseada de CD/MP3/USB/AUX o RADIO.

Ajuste del volumen

Girar el control de volumen para ajustar el volumen al nivel deseado.

Operación del radio

Sintonizando una estación de radio

1. Colocar bel selector de función en la posición de RADIO.
2. Colocar el selector de banda en la banda deseada de AM o FM ST.
3. Girar el control de sintonía para seleccionar la estación deseada.
4. Ajustar el volumen al nivel deseado a través del control de volumen.
5. Para optimizar la recepción de la señal de FM, extender la antena telescópica completamente y girarla. Mover hacia atrás o delante o girar la unidad para lograr una mejor recepción al sintonizar estaciones de AM o colocar la unidad en un área abierta.
6. Para apagar el radio, colocar el selector de función en la posición de "OFF".

Operación del Disco Compacto CD/MP3

Discos que se pueden reproducir

Esta unidad puede reproducir discos de audio digital CD/MP3, discos grabables (CD-R), discos regrabables de audio digital (CD-RW) y discos de audio digital CD/CD-R/CD-RW.

Colocando un Disco

1. Colocar el selector de función en la posición de CD/MP3/USB/AUX.
2. Presionar el área para abrir la puerta del compartimiento del disco compacto.
3. Colocar un disco de audio CD/MP3 en la bandeja con el lado con la etiqueta hacia arriba.
4. Cerrar la puerta del compartimiento del disco. La pantalla despliega después de unos segundos el número total de pistas del disco.
5. Para remover el disco, presionar "STOP/USB ■" para detener la reproducción del disco y esperar que deje de girar el disco, entonces abrir la puerta del compartimiento, sujetar el disco por el borde y removerlo cuidadosamente.



Asegurarse que el disco se detiene completamente antes de abrir la puerta del compartimiento del disco.

Para asegurar una buena operación del sistema, esperar a que el reproductor termine de leer completamente el disco antes de iniciar cualquier otra operación.

Si no hay ningún disco colocado en el compartimiento o el disco está colocado mal o dañado, la pantalla despliega "N0d".

Reproducción del Disco

1. Presionar "▶ ||" para iniciar la reproducción.
2. Presionar "▶ ||" para pausar la reproducción, Presionar "▶ ||" nuevamente para volver a la reproducción.
3. Presionar "STOP/USB ■" para detener la reproducción, el número total de pistas en el disco se despliega en la pantalla.

Selección de una pista / punto específico

Para seleccionar una pista deseada

- Presionar "BACK ◀◀" o "NEXT ▶▶" repetidamente en el modo detenido o de reproducción hasta que el número de la pista deseada se despliega en la pantalla.
- Presionar "▶ ||" para iniciar la reproducción desde la pista seleccionada.

Selección de un punto específico en una pista (búsqueda a velocidad rápida)

Presionar y sostener "BACK ◀◀" o "NEXT ▶▶" en la unidad durante la reproducción para buscar un punto específico dentro de la pista actual hacia atrás o hacia delante a alta velocidad, al encontrar el punto deseado liberar el botón para continuar la reproducción desde dicho punto. El tiempo de la pista se despliega en la pantalla.

Saltar varias pistas rápidamente (solo para discos con formato MP3)

Para seleccionar una pista cuyo número es mayor a 10, presionar "FOLD-/ -10" o "FOLD+ /+10" para saltar 10 pistas rápidamente hacia atrás o hacia adelante respectivamente. Por ejemplo, para seleccionar la pista 17, presionar "FOLD+ /+10" y presionar inmediatamente "NEXT ►" seis veces.

Para seleccionar una carpeta (solo para discos con formato MP3)

Presionar y sostener ""FOLD-/ -10" o "FOLD+ /+10 " para saltar hacia atrás o hacia adelante en las carpetas, estando en la carpeta, presionar "BACK ◀" o "NEXT ▶" para seleccionar la pista deseada.

Programar Reproducción

Es posible programar en memoria el orden deseado de reproducción de las pistas en el modo detenido. Pueden programarse en memoria hasta 20 pistas para un disco con formato de audio normal y 99 pistas para un disco con formato MP3.

1. En el modo detenido, presionar "PROG/P-MODE" para entrar al modo de programa, el indicador de programa "PROG" empieza a destellar y la pantalla despliega "P01".
2. Presionar "BACK ◀" o "NEXT ▶" para seleccionar el número de la pista deseada a programar.
3. Presionar "PROG/P-MODE" nuevamente para almacenar en memoria la pista seleccionada y el indicador en la pantalla cambia a "P02".
4. Repetir los pasos 2 y 3 para almacenar las demás pistas deseadas.

5. Presionar "► ||" para iniciar la reproducción desde la primera pista del programa. La pantalla despliega el número de la pista.
6. Presionar "STOP/USB ■" para detener la reproducción del programa.

Borrar el programa de reproducción de la memoria.

1. Presionar "STOP/USB ■" cuando el disco está detenido.
2. Presionar dos veces "STOP/USB ■" cuando el disco está en reproducción.
3. Al abrir la puerta del compartimiento del disco compacto, el programa se borra de memoria.

REPETIR REPRODUCCION

Puede seleccionar el modo de repetición de la reproducción de las pistas.

Para Repetir Una Pista

1. Presionar "PROG/P-MODE" durante la reproducción hasta que la pantalla despliega "◻" y la pista actual se repite continuamente.
2. Para cancelar la función, presionar "PROG/P-MODE" hasta que el indicador "◻" desaparece de la pantalla.

Para Repetir Todas las Pistas del Disco

1. Presionar "PROG/P-MODE" durante la reproducción hasta que la pantalla despliega "◻ALL" y todas las pistas del disco se reproducen continuamente.
2. Para cancelar la función, presionar "PROG/P-MODE" hasta que el indicador "◻ALL" desaparece de la pantalla.

Para Repetir Una Carpeta

1. Presionar "PROG/P-MODE" durante la reproducción hasta que la pantalla despliega "FOLDER" y las pistas de la carpeta actual se reproduce continuamente.
2. Para cancelar la función, presionar PROG/P-MODE" hasta que el indicador "FOLDER" desaparece de la pantalla.

Reproducción Al Azar (determinada por la unidad)

1. Presionar "PROG/P-MODE" durante la reproducción hasta que la pantalla despliega "RDM" para iniciar la reproducción de las pistas de manera al azar determinada por el reproductor.
2. Para cancelar la función, presionar PROG/P-MODE" hasta que el indicador "RDM" desaparece de la pantalla.

Introducción de la Reproducción

1. Presionar "PROG/P-MODE" durante la reproducción hasta que la pantalla despliega "INTRO" para iniciar la reproducción de los primeros 10 segundos de cada una de las pistas.
2. Para cancelar la función, presionar PROG/P-MODE" hasta que el indicador "INTRO" desaparece de la pantalla.

Operación de Entrada Auxiliar

Esta unidad cuenta con un conector de entrada auxiliar estéreo de Ø 3.5 mm, a través de este conector otros

dispositivos de audio sin función Bluetooth pueden conectarse a la unidad y la salida ser amplificada.

1. Colocar el selector de función en la posición de Entrada Auxiliar "CD/MP3/USB/AUX".
2. Conectar un extremo del cable de audio al conector de entrada auxiliar de la unidad y conectar el otro extremo del cable de audio al conector de salida de audio del dispositivo externo.
3. Ajustar el volumen del dispositivo de audio externo aproximadamente al 80 %. Hacer un ajuste adicional de volumen a través del control de volumen en la unidad.
4. Controlar la reproducción por medio de los controles y botones del dispositivo de audio externo.

Operación de un dispositivo USB

Se pueden reproducir archivos con formato MP3 a través de una memoria o dispositivo USB.

1. Colocar el selector de función en la posición de USB "CD/MP3/USB/AUX"
2. Conectar el dispositivo USB al puerto USB de la unidad, después de unos segundos la pantalla despliega el número total de pistas. Presionar "▶ ||" para iniciar la reproducción de la primera pista.
3. Presionar "BACK ◀◀" o "NEXT ▶▶" para seleccionar otra pista deseada.

4. Durante la reproducción, presionar “▶ ||” para pausarla. Presionar “▶ ||” nuevamente para volver a la reproducción.
5. Durante la reproducción, presionar “STOP/USB ■” para detenerla y el número total de pistas del dispositivo se despliega en la pantalla.
6. Los procedimientos de repetir (repetir una, repetir carpeta, repetir todo, reproducción), programación de la reproducción, reproducción aleatoria, introducción, saltar y buscar son similares a los explicados en OPERACIÓN DEL DISCO COMPACTO CD/MP3.



Para prevenir interferencia durante la reproducción, no usar un cable de extensión USB para conectar el dispositivo USB a la unidad, siempre conectar la memoria o dispositivo USB directamente a la unidad.

No remover la memoria o dispositivo USB estando en operación, esto puede dañar la unidad y/o la memoria o dispositivo USB y generar pérdida de información.

Especificaciones

Fuente de alimentación	110/220 Vca 60/50 Hz 9 Vcc (6 x 1.5 Vcc Baterías “C” o “UM-2”, no incluidas)
Potencia de entrada	13 W
Potencia salida bocinas	2 x 1.2 W (2.4 W)
Radio	AM/FM
Frecuencia	FM: 87.5 a 108 MHz AM: 530 a 1710 KHz
Respuesta de Frecuencia	100 Hz a 16 KHz

Las especificaciones y el diseño de este producto están sujetos a cambios sin previo aviso para mejoras de los mismos

Limpieza y Mantenimiento

- Apagar y desconectar la barra de sonido de la fuente de alimentación y del dispositivo externo antes de darle mantenimiento o limpieza.
- El gabinete de la fuente de la barra de sonido debe limpiarse con una tela suave, limpia, seca y libre de pelusa.
- Para manchas fuertes, humedecer la tela con una solución de agua con jabón neutro; secar completamente después de la limpieza.
- No usar limpiadores químicos como alcohol, thinner, etc. o materiales abrasivos estos pueden dañar el gabinete.
- No almacenar la barra de sonido en lugares con temperaturas extremas, estas pueden acortar la vida de los dispositivos electrónicos, causar daños en la batería o deformar las partes plásticas.
- Almacenar la barra de sonido en un lugar libre de polvo, pelusa, cabellos, agua, humedad, etc.

Indicaciones sobre el medio ambiente



Al término de la vida útil de este producto, este no debe ser desechado en la basura doméstica para evitar daños al medio ambiente, en su caso acudir al centro de desechos sólidos de su localidad. La separación adecuada de los desechos ayuda a evitar posibles efectos negativos sobre la salud humana y el medio ambiente y promueve el reciclaje de los materiales que componen el producto. Informarse en su localidad sobre los organismos de eliminación de este tipo de desechos.

Soporte

Si tiene problemas con la operación del reproductor, favor de consultar las instrucciones en este manual, así como las últimas noticias, recomendaciones y documentación que puede encontrar en nuestra página web www.naxa.com. Si necesita asistencia futura, favor de contactar al centro de servicio autorizado.

www.naxa.com/supportcenter/

HECHO EN CHINA