



Instruction Manual

Please read carefully before use and keep for future reference.

Table of Contents

Thank You	3	Loading a Disc or USB Drive	18
In the Box	3	Optical Discs	18
At a Glance	4	USB Flash Drives	18
Remote Control.....	10	Playback Controls.....	19
Using the Remote Control.....	12	DVD	19
Installing or Replacing Batteries.....	12	CD and MP3.....	20
Getting Started.....	13	Photos	21
Connecting Power	13	Programming Tracks	22
Using AC Power.....	13	Programming DVD Tracks.....	22
Using the Battery.....	13	Programming CD and MP3 Tracks.....	22
Using DC Power	14	Bluetooth® Mode	23
Connecting the Microphones.....	14	Pairing/Connecting a Bluetooth Device.....	23
Connecting to a TV.....	14	Playing Audio Wirelessly From a Bluetooth Device	
Turning the Unit On and Off.....	16	Warnings and Precautions.....	26
Adjusting the Volume.....	16	Troubleshooting	30
Turning the Display On and Off.....	16	Specifications	31
Turning the Lights On and Off.....	16	Support	32
DISC/USB Mode.....	17		
About Optical Discs and USB Drives.....	17		
Optical Discs	17		
USB Flash Drives	17		

Thank You

We know you have many choices when it comes to technology; thank you for choosing us here at Naxa Electronics. Established in 2001 in Los Angeles, California, we are dedicated to delivering products that entertain and delight.

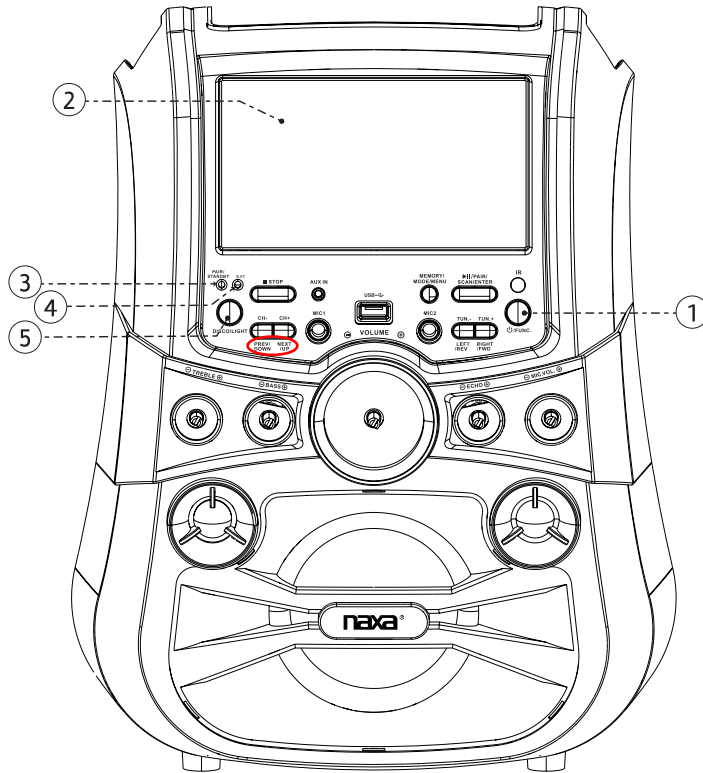
We trust that you will be happy with your purchase. Please read this manual carefully and save it for reference. You may also find the latest FAQ, documentation, and other product material at our website. Come visit us on the web at **www.naxa.com** and see all that we have to offer!



In the Box

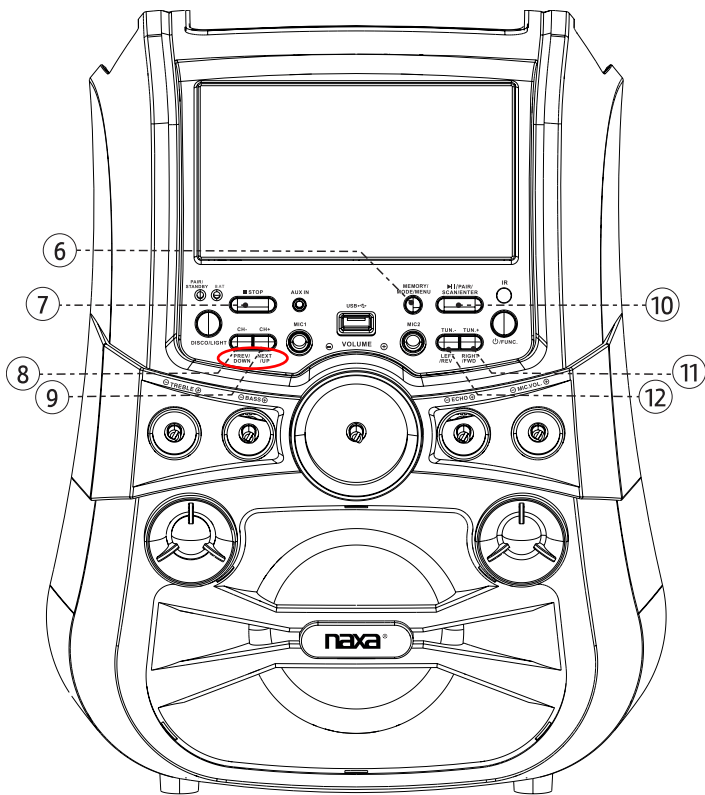
Please take a moment to make sure that you have everything in the list below. Although we make every effort to ensure that each Naxa device is securely packed and sealed, we know a lot can happen in between us and you. If anything is missing, check back with your local retailer to get immediate assistance. If they cannot help you, please contact our Naxa Support team at **www.naxa.com/supportcenter**.

- NKM-101
- Two (2) microphones
- Two (2) microphone cables
- A/V cable
- AC power cord
- Instruction Manual
- Warranty Card

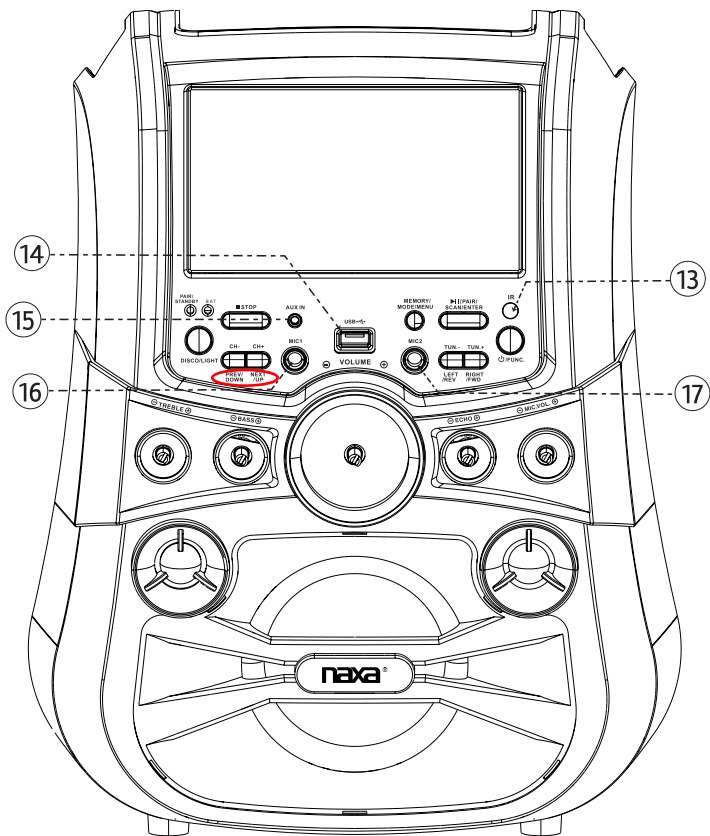
At a Glance







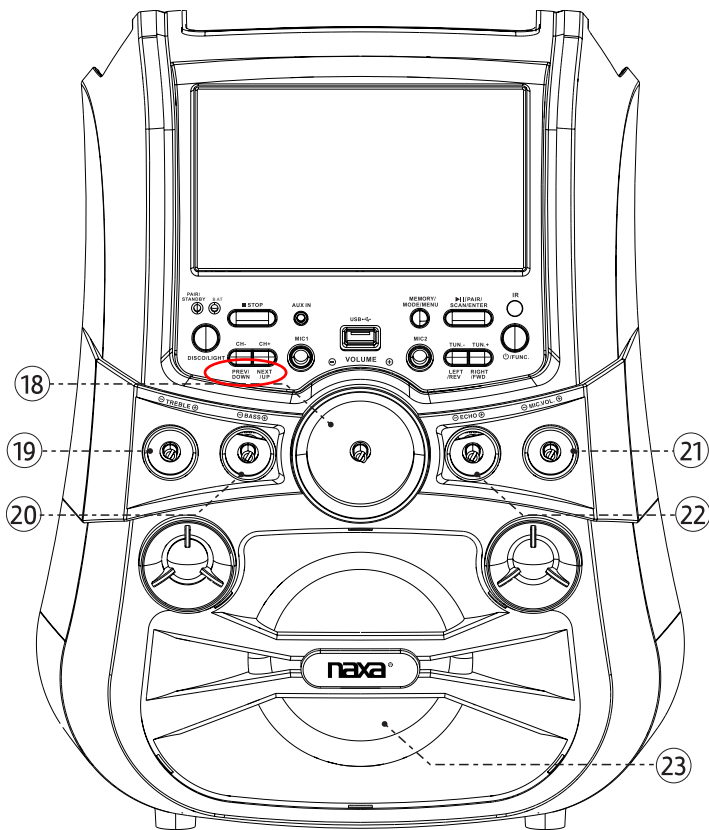
1	 /FUNC	<p>Power: Press to turn the unit on. Press and hold to turn the unit off.</p> <p> <i>Make sure the Master switch on the back of the unit is set to the ON position and that the PAIR/STANDBY indicator is lit.</i></p> <p>Function: Press to change the active source mode when the unit is on (Disc, Bluetooth, Radio, AUX-In).</p>
2	Display	The LCD screen displays video, status information and lyrics (when available).
3	PAIR/ STANDBY	<p>Pair: Lights blue when the unit is connected to a Bluetooth® device.</p> <p>Stand By: Lights red when the unit is in Stand By mode (i.e., connected to power and the MASTER switch is set to the ON position).</p>
4	BATTERY	<p>Lights red when the unit is charging.</p> <p>Lights green when the unit is fully charged.</p>
5	DISCO/ LIGHT	Press and hold to turn the LED lights on or off. Press to change the light effect mode.



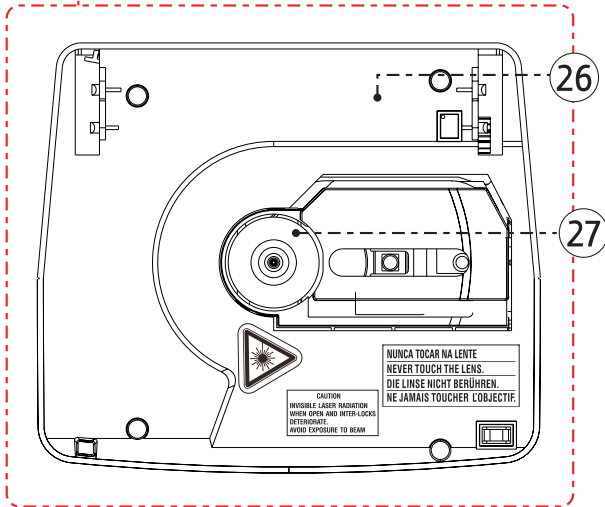
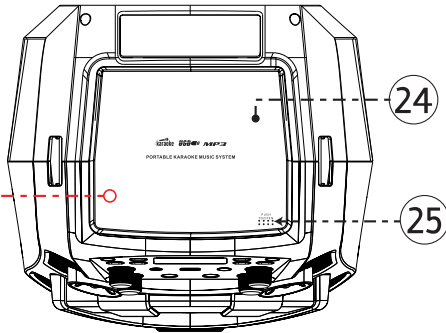
6	MEMORY/ MODE/ MENU	Memory: In radio mode, press to save a preset station. Mode: In Disc mode, press and hold to switch between Disc and USB. Menu: In Disc mode, press to display the system options menu.
7	■ STOP	Stop playback.
8	CH- PREV/ DOWN UP	CH-: Skip to the previous radio preset. Previous: Skip to the previous title, chapter, or track. Down: Move down when browsing menu screens.
9	CH+ DOWN NEXT, UP	CH+: Skip to the next radio preset. Next: Skip to the next title, chapter, or track. Up: Move up when browsing menu/options screens.
10	▶II/PAIR/ SCAN/ ENTER	▶II: Start, pause, or resume playback. Pair: Connect to a Bluetooth® device. Scan: Find radio stations automatically. Enter: Select the high-lighted item when browsing menu screens.
11	TUN+ RIGHT/ FWD	TUN+: Tune to a higher radio station. Right: Move right when browsing menu screens. FWD: Scan forward through a track.
12	TUN- LEFT/REV	TUN-: Tune to a lower radio station. Left: Move to the left when browsing menu screens. REV: Scan in reverse through a track.



14	USB 	<p>Connection for a USB flash drive.</p> <p> <i>The USB port is designed to play media from flash memory devices. It is not designed to charge high-power devices.</i></p> <p><i>To switch to USB mode: 1) Press ⏻/FUNC to set the unit to Disc mode; 2) Press and hold MEMO-RY/MODE/MENU.</i></p>
15	AUX IN	3.5 mm stereo audio input connection for AUX IN mode.
16	MIC 1	<p>6.35 mm input connection for Microphone 1.</p> <p> <i>The microphone input is active in all modes.</i></p>
17	MIC 2	<p>6.35 mm input connection for Microphone 2.</p> <p> <i>The microphone input is active in all modes.</i></p>



18	VOLUME	Turn to adjust the master volume level.
19	TREBLE	Turn to adjust the high-frequency (treble) levels.
20	BASS	Turn to adjust the low-frequency (bass) levels.
21	MIC VOL	Turn to adjust the microphone levels. <i>ⓘ This dial controls both MIC 1 and MIC 2 input levels.</i>
22	ECHO	Turn to adjust the reverb (echo) effect levels. <i>ⓘ This dial controls both MIC 1 and MIC 2 echo levels.</i>
23	Speaker	Dynamic full-range speaker.



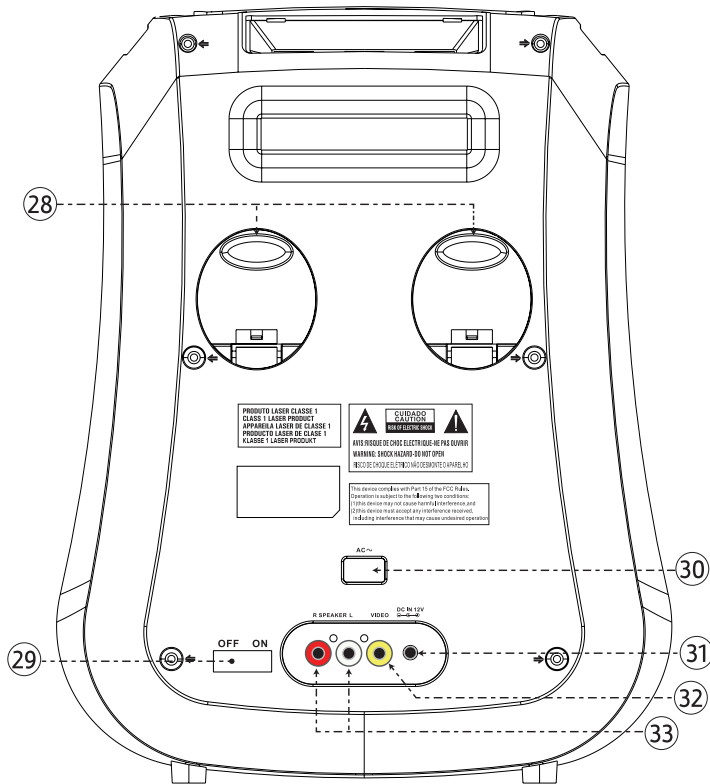
24	Disc Door	Covers and protects the disc compartment.
25	Disc Door latch	Press down until the latch clicks to open the disc door. To close it, gently lower it and push down until the latch clicks into place.
26	Disc compartment	Load optical discs here for playback (e.g., DVD, CD, CD+G, MP3+G discs). The label side of the disc should face up.

27 Disc spindle

The spindle is the mechanism that locks the disc into place.

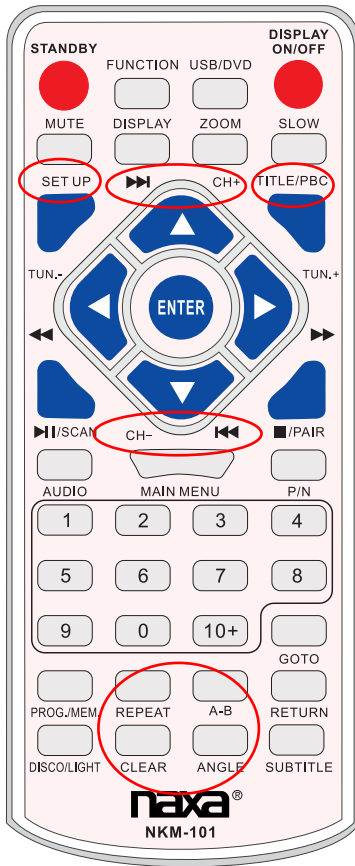
To load a disc, center it over the spindle and then push it down gently until it clicks into place.

To release a disc, lift it gently out of the compartment by its edges. You may need to place a finger on the spindle to get some leverage. Never use force to remove the disc to avoid damage.







28	Microphone holsters	Flip down and out to store the included microphones.
29	Master Power Switch (OFF/ON)	Set the switch to ON to provide power to the unit and place it in Stand By mode. (Press the \odot /FUNC button on the front of the unit to turn it on.) Set the switch to OFF to turn the unit off completely.
30	AC	AC input power connector (AC 120 V, 60 Hz). Use with the included AC power cable.
31	DC IN 12 V	DC input power connector (DC 12 V). Use with a properly rated DC power cable (not included).
32	R-SPEAKER- L	A/V out. Use with the included RCA A/V cable to connect to a TV when playing video. <ul style="list-style-type: none"> Red: audio out (right) White: audio out (left)
33	VIDEO	A/V out. Use with the included RCA A/V cable to connect to a TV when playing video. <ul style="list-style-type: none"> Yellow: composite video out

Remote Control



STANDBY	Turn the unit on or off. (Make sure the Master switch on the back of the unit is set to the ON position and that the PAIR/STANDBY indicator is lit.)
FUNCTION	Change the active source mode (Disc, Bluetooth, Radio, AUX-In).
USB/DVD	In Disc mode, switch between Disc and USB modes.
DISPLAY ON/OFF	Turn the LCD screen on or off.
MUTE	Disable or restore sound.
DISPLAY	Show program information on the LCD screen.
ZOOM	Change the magnification level.
SLOW	Slow the speed of playback.
SETUP	Display the system options menu.
TITLE/PBC	Go to the DVD/SVCD title screen.
▶▶/SCAN	Play, pause, or resume playback.
■/PAIR	Stop playback or connect to a Bluetooth® device.

	Up: Move up when browsing menu/option screens. Next: Skip to the next title, chapter, or track. CH+: Skip to the next radio preset.
	Down: Move down when browsing menu screens. Previous: Skip to the previous title, chapter, or track. CH-: Skip to the previous radio preset.
	Left: Move to the left when browsing menu screens. Tuning -: Tune to a lower radio station. Reverse: Scan in reverse through a track.
	Right: Move right when browsing menu screens. Tuning +: Tune to a higher radio station. Forward: Scan forward through a track.
ENTER	Select the highlighted item when browsing menu screens.
AUDIO	Change the audio options if additional audio tracks are available.
Main Menu	Go to the DVD root menu screen.

P/N	Change between PAL, NTSC, and AUTO video modes.
Numeric keypad (0-9, +10)	Use the keypad to enter a number value as necessary. Press 10+ to add 10.
GOTO	Go to a specific time point (use with the numeric keypad).
PROG/MEM	Program: Enter program mode to create a custom playlist. Memory: Save a radio station to preset memory.
REPEAT A-B	Change the repeat playback mode. Set Repeat A-B to loop a portion of a track.
RETURN	Go back.
DISCO/LIGHT	Press and hold to turn the LED lights on or off. Press to change the light effect mode.
CLEAR	Cancel.
ANGL	Change the camera view if additional angles are available.
SUBTITLE	Change the subtitle options if additional subtitle tracks are available.

Using the Remote Control

Aim the IR emitter of the remote control at the remote sensor and then press a key. The remote control will work within 15 feet of the remote sensor and at an angle less than 30 degrees from the center line.



Obstacles between the remote control and the sensor may interfere with the signal.

Direct sunlight, incandescent or fluorescent lamps, and other strong light sources may interfere with the signal.

Installing or Replacing Batteries

The remote control requires two (2) “AAA” batteries to function. Alkaline batteries are recommended.

1. Find the battery compartment door on the back of the remote control. Press the tab to release the latch and lift the door up and away from the remote control.
2. Load 2 new “AAA” size batteries into the compartment. Make sure to match the positive (+) and neg-

ative (-) poles of the battery to the markings found inside the compartment.

3. Replace the battery compartment door.



Be sure to match the positive and negative poles of the battery with the positive and negative terminals of the battery compartment. Reversed or other improper installation can damage the device and other property.

Use only the size and type of batteries specified here. Do not install different types of batteries together (e.g., alkaline with carbon-zinc or nickel metal hydride).

Always change batteries at the same time. Do not mix old and new batteries together.

Always follow directions provided by the battery manufacturer. Do not charge batteries that are not intended to be recharged; doing so can cause the batteries to overheat and rupture.



Do not incinerate batteries or otherwise apply heat to them; they may explode or leak.

Batteries contain chemicals that may be regulated by your local government. Always dispose of them properly according to regulations.

Getting Started

Connecting Power

The unit can be powered with AC or DC power sources, or the built-in battery.

Using AC Power

Use the included AC power cable to connect the unit to AC household power.

- Connect the two-pronged end of the cable to a household power outlet.

- Connect the other end of the cable to the AC power input connector [30] on the back of the unit.



This unit supports AC 100–240 V power sources.

Do not connect the unit to a power source other than that which is indicated here and on the label as this may result in the risk of fire or electric shock.

Do not handle the power plug with wet hands. Doing so may cause electric shock.

Using the Battery

The unit can operate on the built-in rechargeable battery. Use the included AC power cable to charge the battery.

- The BATTERY indicator [4] will light red while the battery is charging.
- The BATTERY indicator [4] will light green when the battery is charged fully.



To ensure optimal performance of the battery, charge the battery fully before using it for the first time. Avoid exhausting the battery completely.



Microphone holsters can be found on the back of the system and are a convenient place to hold the microphones when they are not in use. Simply flip the holsters down to use them.

Using DC Power

Use a DC power adapter (not included) to connect the player to DC 12 V power sources (e.g., cars, campers, boats).

Connecting the Microphones

To start using the microphones, use the included cables to connect them to the system.

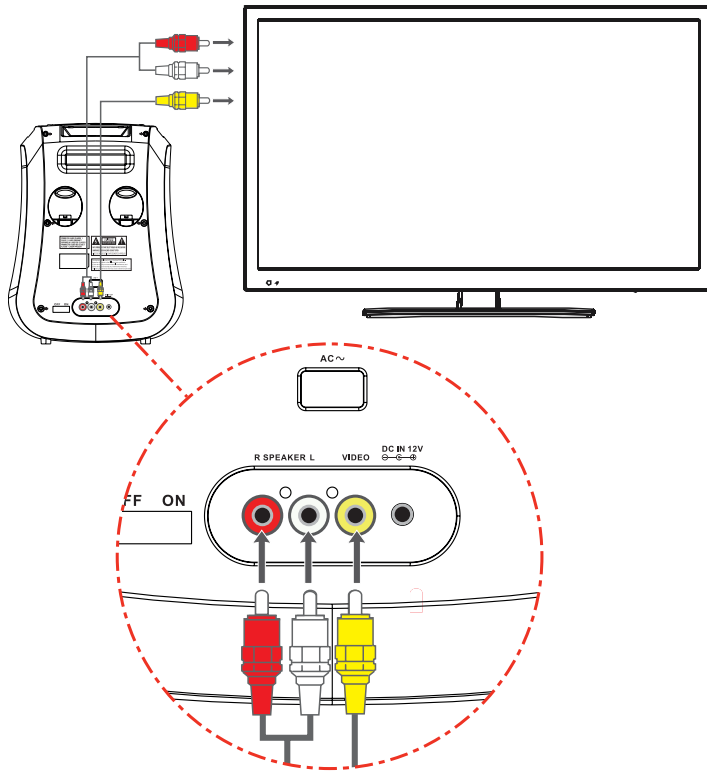
1. Align the 3 pins found on the bottom of the microphone with the XLR end of the cable. Insert the cable and push until it clicks.
2. Connect the 6.35 mm plug of the cable to the MIC 1 or MIC 2 input connectors found on the front of the system [16, 17].
3. When you are ready to use the microphones, set the switch on them to the ON position.

Connecting to a TV

This unit can play DVD, CD+G, and MP3+G karaoke discs. Karaoke discs typically contain both audio tracks and synchronized song lyrics. You can connect the karaoke system to a TV in order to view the lyrics on a larger screen.

The composite video connection is capable of sending a standard-definition video signal to a TV.

1. Make the composite video connection with the yellow plug of the supplied A/V cable [32].
2. Make the L/R audio connection with the white and red plugs of the supplied A/V cable [33].



3. Turn on the karaoke system
4. Turn on the TV. Set the active TV input mode to match the name of the composite video connection used (some typical names are AV1, AV2, Composite 1, CVBS 1, etc.) Please refer to the documentation included with your TV to learn more about how to identify and change the TV input mode.

When the TV input mode is set correctly, you will see video from the karaoke unit on your TV screen



Disconnect power before making this and any other connection.




The Red/White audio connectors may be used independently of the composite video. For example, you may connect them to a receiver or amplifier to play the audio from the karaoke system without the video.

Turning the Unit On and Off

To turn the unit on:

1. Find the **MASTER POWER SWITCH** [29] on the back of the unit and set it to the ON position.
2. Press **⏻/FUNC** [1] to turn the unit on.

To place the unit in Standby mode, press and hold **⏻/FUNC** [1].

 *To turn the power off completely, set the **MASTER POWER SWITCH** [29] to the OFF position.*


Adjusting the Volume

- Turn the **VOLUME** dial [18] clockwise to increase the volume level. Turn it counter-clockwise to decrease the volume level.
- Press **MUTE** on the remote control to completely disable sound from the speakers. (Press **MUTE** again to restore the sound).

Turning the Display On and Off

You can turn the LCD screen off to conserve power.

- Press **DISPLAY ON/OFF** on the remote control to turn the screen off. Press it again to turn the screen back on.

 *Turn the display off when listening to music or whenever it is not necessary. The display uses a lot of power. You can maximize battery operation time by avoiding use of the display.*

Turning the Lights On and Off

- Press and hold **DISCO/LIGHT** [5] to turn the party light on or off.
- Press **DISCO/LIGHT** to change the lighting effect.

DISC/USB Mode

This unit can play DVD, CD+G, and MP3+G discs in disc mode, and compatible media files from USB flash drives in USB mode.

- To select DISC mode, press **⏻/FUNC** [1] until the Display shows the Naxa logo screen.
- To select USB mode, place the unit in DISC mode, then press and hold **MEMORY/MODE/MENU** [6].

About Optical Discs and USB Drives

Optical Discs

This player is compatible with DVDs and CDs, as well as recordable DVD±R, DVD±R/RW, CD-R, and CD-RW discs that have been finalized, and CD-DA format digital audio CDs.

This player is compatible with MP3 discs. This player will recognize and play discs that contain MP3 audio files on them.

This player can play CD+G and MP3+G discs. These discs contain audio as well as graphics. Karaoke discs typically display lyrics synchronized to the audio.



Only handle an optical disc by its edge. Avoid touching the label or the playable side with your hands or any other object.

USB Flash Drives

This player can play supported media files from USB stick drives connected to the USB port [14].

For a list of supported media files, please refer to the Specifications section of this manual.



The USB drive must be use the standard FAT or FAT32 file system. Refer to your computer's operating system documentation to learn how to prepare a FAT/FAT32 flash drive.

There are many different USB stick types and manufacturers. Although this player should support most of these memory

devices, it is impossible to guarantee compatibility with ALL USB drives.

Loading a Disc or USB Drive

Optical Discs

1. Press down on the Disc Door latch [25] to open the Disc Door.
2. Place a disc into the compartment [26] with the label side facing up (the reflective side should face down). The hole in the center of the CD should align and sit securely on the disc spindle [27]. Press down gently on the disc to make sure it locks into place.
3. Gently lower the disc door and push down on the latch [25] to lock the door in place. Playback will start from the first track.

To remove a disc, press ■ STOP [7] to stop playback. Make sure the disc stops spinning completely, then open the disc door. Grasp the disc by its edges and take it out carefully. You may need to place a finger on the center spindle to get some leverage. Never use force to remove the disc.



Make sure the disc has stopped spinning completely before opening the disc door.

To ensure good performance, wait until the system has completely read the disc before proceeding with other functions.

The display will show “NO DISC” or “ERR DISC” if no disc is loaded or if the disc is unreadable.

*To switch between DISC and USB player modes, press and hold **MEMORY/MODE/MENU** [6].*

USB Flash Drives

The USB port of this unit is designed to play media from flash memory devices. It is not intended to charge high-power devices.

1. Plug your USB flash drive into the USB port [14] found on the front of the unit.
2. The unit will automatically detect the USB drive

and attempt to read it. The display will show “NO USB” if it does not detect a compatible USB drive.



If you feel resistance when plugging your USB drive in, stop! Turn it over and try again. The USB port accepts drives in one position only.



*To switch between USB and DISC player modes, press and hold **MEMORY/MODE/MENU** [6].*

Playback Controls

DVD

To do this...	...do this.
Start, pause, or resume playback.	Press ▶II/PAIR/SCAN/ENTER [10].
Stop playback.	Press ■ STOP [7] during playback.
Clear playback resume memory.	Press ■ STOP [7] while playback is stopped.

To do this...

...do this.

Go to the root menu of the DVD.
(This only works if the DVD has been mastered with a main menu.)

Press **MAIN MENU** on the remote control.

Select a DVD title.
(This only works if the DVD has been mastered with titles or chapters.)

Press **TITLE** on the remote control.

UP

Skip to a desired chapter.

Press **CH-/PREV/****DOWN** or **CH+/NEXT/****UP** [8, 9].

DOWN

Change speed to scan quickly through a chapter (2x, 4x, 8x, 16x, 32x, normal).

During playback, press **TUN+/RIGHT/FWD** or **TUN-/LEFT/REV** [11, 12].

Resume normal speed when playback is faster or slower.

Press **▶II/PAIR/SCAN/ENTER** [10]. **REPEAT/A-B**

Change the repeat mode.

Press **REPEAT** on the remote control during playback.



Some functions may not work when playing karaoke discs.

CD and MP3

To do this...	...do this.
Start, pause, or resume playback.	Press ▶II/PAIR/SCAN/ENTER [10].
Stop playback.	Press ■ STOP [7].
Skip to a desired track.	Press CH-/PREV/DOWN or CH+/NEXT/UP [8, 9] to select a track and then press ▶II/PAIR/SCAN/ENTER [10].
Change speed to scan quickly through a track (2x, 4x, 8x, 20x, normal).	During playback, press TUN+/RIGHT/FWD or TUN-/LEFT/REV [11, 12].
Resume normal speed when playback is faster or slower.	Press ▶II/PAIR/SCAN/ENTER [10].

To do this...	...do this.
Skip to a specific track number.	Use the numeric keypad to enter the track number.
Browse files and folders.	Use the arrow keys on the remote control.
Select a file or folder.	Press ENTER on the remote control.
Return to the previous folder.	Use the arrow keys to select the top folder labeled "...". Press REPEAT/A-B .
Change the repeat mode.	Press REPEAT on the remote control during playback.



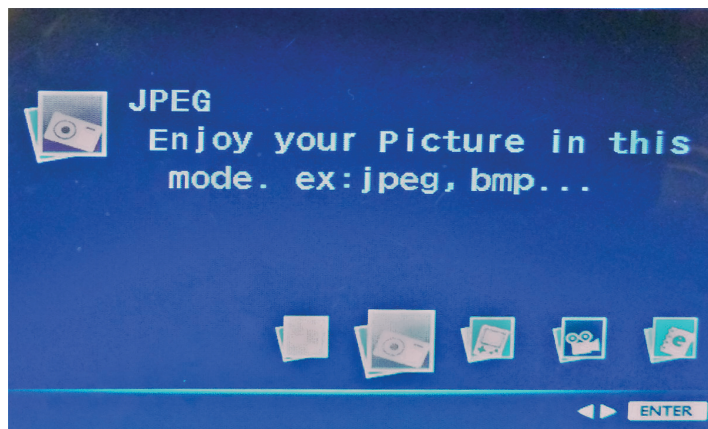
Some functions may not work when playing karaoke discs.

Photos

When the unit is in DISC mode, it will automatically display photos from JPEG-CDs.

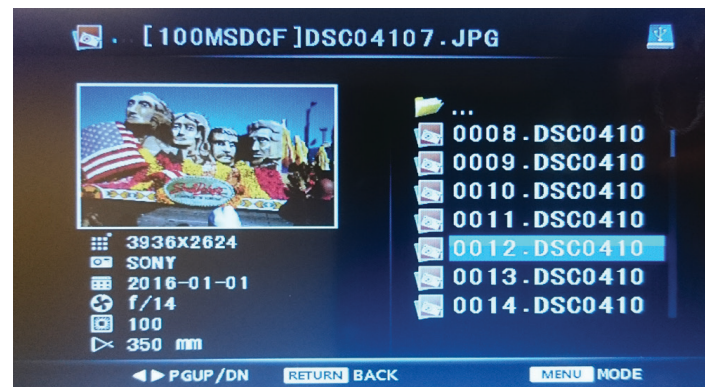
When the unit is in USB mode:

1. Press **■ STOP** [7] until you see the Media Selection screen.
2. Press **TUN+/RIGHT/FWD** or **TUN-/LEFT/REV** [11, 12] to select JPEG, then press **▶II/PAIR/SCAN/ENTER** [10].



To view photos:

Use the arrow keys on the remote control to browse your photos, then press **ENTER** to select a photo to display.



The photo will appear on the display. The unit will continue to display all photos it detects as a slideshow.

To do this...

Browse files and folders.

...do this.

Use the arrow keys on the remote control.

To do this...

...do this.

Select a file or folder.

Press ENTER on the remote control.

Return to the previous folder.

Use the arrow keys to select the top folder labeled "..."

Display a photo file and start a slideshow.

Select a photo file with the arrow keys on the remote control and then press **ENTER**.

Stop the slideshow and return to the file browser.

Press **MAIN MENU**
STOP

Skip to a desired photo.

Press **CH-/PREV/DOWN**
or **CH+/NEXT/UP** [8, 9].

Rotate the photo.

Press **TUN+/RIGHT/FWD** or **TUN-/LEFT/REV** [11, 12].

Programming Tracks

Create a custom playlist. Up to 16 tracks can be programmed to play in any order.

Programming DVD Tracks

1. During playback, press **PROG/MEM** on the remote to bring up the DVD program screen.

T C	T C	T C	T C
1 --:--	5 --:--	9 --:--	13 --:--
2 --:--	6 --:--	10 --:--	14 --:--
3 --:--	7 --:--	11 --:--	15 --:--
4 --:--	8 --:--	12 --:--	16 --:--
PROGRAM			
		PLAY	CLEAR

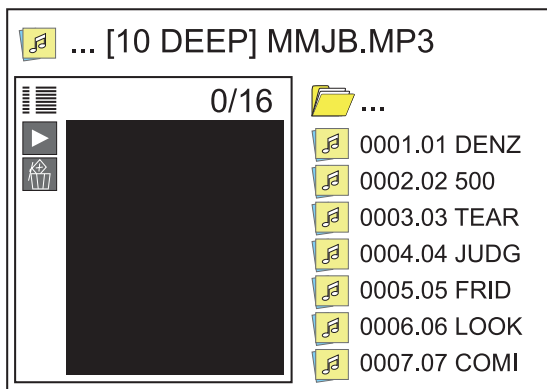
2. Use the arrow keys of the remote to select one of the 16 program slots.
3. Use the number keypad of the remote to enter title, track, or chapter numbers in the program slots. (Single digit numbers must be preceded with a zero)

*e.g., press “0” and then “6” to enter track “6”.)

4. To start program playback, use the arrow keys on the remote to select PLAY on the screen and then press ENTER.
5. To stop program playback, press **■/PAIR**. To clear the program list, press **■/PAIR** again while play is stopped.

Programming CD and MP3 Tracks


1. During Playback, press **PROG/MEM** on the remote to bring up the CD/MP3 program screen.



2. Use the arrow keys on the remote to select a track on the right side of the screen. Press **ENTER** to add it to the program list.
3. To start program playback, select the PLAY icon on the screen and then press ENTER.
4. To stop program playback, press **■/PAIR**. To clear the program list, press **■/PAIR** again while play is stopped.

BLUETOOTH® Mode

To set the active source mode to BLUETOOTH, press **⏏/FUNC [1]** until you see “BLUETOOTH” on the display screen.

 *Bluetooth is used to stream audio wirelessly from Bluetooth enabled devices (e.g., laptops, tablets, smartphones, etc.)*


Make sure that the device has its Bluetooth radio enabled and that it is set to be discoverable.

Pairing/Connecting a Bluetooth Device

You will need to pair your device with the karaoke system the first time you use them together. After they have been paired together, the karaoke system will automatically detect and connect with your Bluetooth device when you set it to Bluetooth mode.

To pair your device:

1. Place the NKM-101 in Bluetooth mode. If it does not detect a previously paired device, it will automatically switch to pairing mode. When the indicator flashes blue slowly, it is ready to connect to a device.

 *If the indicator is not flashing, press **▶II/PAIR/SCAN/ENTER** [15] to place the system in pairing mode.*

2. Use your device to scan/search for the NKM-101.
3. Select “NAXA NKM-101” from the scan/search results. The PAIR/STANDBY indicator will light a steady blue and the unit will emit a tone when the connection is complete.

4. Use the controls of the device to start playback.



Bluetooth works best within 10 meters.

If the connection fails, the Bluetooth indicator will keep flashing.

To learn more about how to use the Bluetooth audio function of your device (including how to scan/search for other devices), please refer to the instructions provided by the device manufacturer.

*If your device becomes unpaired with the system because it was reset or the connection was erased manually, simply press **▶II/PAIR/SCAN/ENTER** [15] and repeat the procedure above.*


Playing Audio Wirelessly From a Bluetooth Device

Once your device has been paired, you can stream audio wirelessly from it to the Karaoke system.

1. Follow the instructions for **Pairing/Connecting a Bluetooth Device**.
2. Set the volume on your device to approximately its maximum level; then turn the Master Volume dial [18] to adjust the volume to a comfortable level.
3. Use the native controls on the connected device to control playback (i.e., play/pause, skip, etc.)
4. If your device supports it, you may also be able to control playback with the buttons on the karaoke system.

RADIO (FM) Mode


To set the active source mode to Radio, press **⏻/FUNC** [1] until you see “RADIO” on the display screen.

 *Extend the “pigtail” wire FM antenna on the back of the unit to optimize reception.*

Preset Station Channels

Press **▶II/PAIR/SCAN/ENTER** [15] to automatically save stations to preset memory. Any station with a strong enough signal will be saved to preset memory.

After the unit finishes scanning, the unit will automatically tune to preset channel 1 (CH01).

 *To save preset stations manually: 1) Press **CH+/NEXT/UP** [9] or **CH-/PREV/DOWN** [8] to choose a preset channel; 2) Press **TUN+/RIGHT/FWD** [11] or **TUN-/LEFT/REV** [12] to change the station frequency; 3) Press **MEMORY/MODE/MENU** [6] to save the station.*

Tuning to a Radio Station

- Press **CH+/NEXT/UP** [9] or **CH-/PREV/DOWN** [8] to tune to a preset station channel.
- Press **TUN+/RIGHT/FWD** [11] or **TUN-/LEFT/REV** [12] to manually tune to a station frequency.
- Press and hold **TUN+/RIGHT/FWD** [11] or **TUN-/LEFT/REV** [12] to scan to the next detected station.

AUX IN Mode

To set the active source mode to AUX IN, press **⏻/FUNC** [1] until you see “AUX IN” on the display screen.

Connect an audio player to the AUX IN jack [15] on the front of the unit. You will need a 3.5 mm AUX cable (i.e., a 3.5 mm male-to-male stereo patch cable). This cable is not included.

When an audio player is connected:

1. Set the volume level of the connected audio player to approximately 80% of its maximum. Adjust the volume to a comfortable level by turning the VOL-

UME dial [18] of the unit.

2. Start and control playback with the audio player.



When the cable is plugged into the AUX IN jack, the unit will automatically detect it and switch to AUX IN mode.

Setup Menu

Access the Setup menu to adjust the player options.

- Press SET UP key on the remote to access the Set-up menu.
 - The “Preference Page” options will not be available unless the player is stopped completely. Press STOP [7] twice to make sure that the player is stopped.
- Use the direction keys to browse the menu screens and to adjust the options (PREV/UP, NEXT/DOWN, FWD/RIGHT, REV/LEFT).
- Press PREV/UP to go back to the previous level or screen.
- Press PLAY/PAUSE/PAIR/SCAN/ENTER [9] to confirm a highlighted selection.



You may also use the arrow keys and the ENTER key on the remote control.

General Setup Page

SYSTEM SETUP	
TV system	
POWER RESUME	
AUTO PLAY	
TV Type	
Default	

TV SYSTEM

- **PAL:** Select this mode if the unit is connected to a PAL-format TV (used in China, Hong Kong, Europe, etc). It will convert the video signal of an NTSC disc and output in PAL format.
- **AUTO:** Select this mode to have the system detect the video signal of the disc and match the video signal output format to it.
- **NTSC:** Select this mode if the unit is connected to an NTSC-format TV (used in Taiwan, America, Canada, etc). It will convert the video signal of a PAL disc and output in NTSC format.

POWER RESUME

- On: If the image remains motionless on the screen for several minutes, (e.g., the disc is paused, stopped etc.) a screen saver will appear on the screen. Press any key to exit the screen saver.
- Off: Disables this function.

TV Type

- Normal/PS: Pan and Scan. The wide-screen image will be displayed on the screen in its native aspect ratio with some part on the left and right cut off.
- Normal/LB: Letterbox. The wide-screen image will be displayed in its native aspect ratio with black bands on the upper and lower sections of the screen.
- Wide: Widescreen (16:9). If the unit is connected to a widescreen TV set, select this option. The widescreen image will be displayed in full screen in its native aspect ratio while the 4:3 image will be stretched out horizontally to fit in the screen.

Default

Reset: Restore all options to their factory-default state.

Language Setup Page

LANGUAGE SETUP	
OSD Language	
Audio Lang	
Subtitle Lang	
Menu Lang	

OSD Lang

On screen display language. Set the language of the on-screen display and system menus with this item.


Audio Lang

Select a preferred audio language. You can change the audio language by pressing the AUDIO key on the remote control.




If the selected language is not available for the disc, the disc's default setting will remain enabled.

Subtitle lang Select a preferred subtitle language. You can change the subtitle language by pressing the SUBTITLE key on the remote control.

 *If the selected language is not available for the disc, the disc's default setting will remain enabled.*

Menu lang Select a preferred disc menu language.

 *If the selected language is not available for the disc, the disc's default setting will remain enabled.*

Video Setup Page

Panel Quality Apply image correction options in varying intensities. (Press PLAY/PAUSE/PAIR/ENTER or ENTER to apply the image correction.)

- Brightness
- Contrast
- Hue
- Saturation
- Sharpness

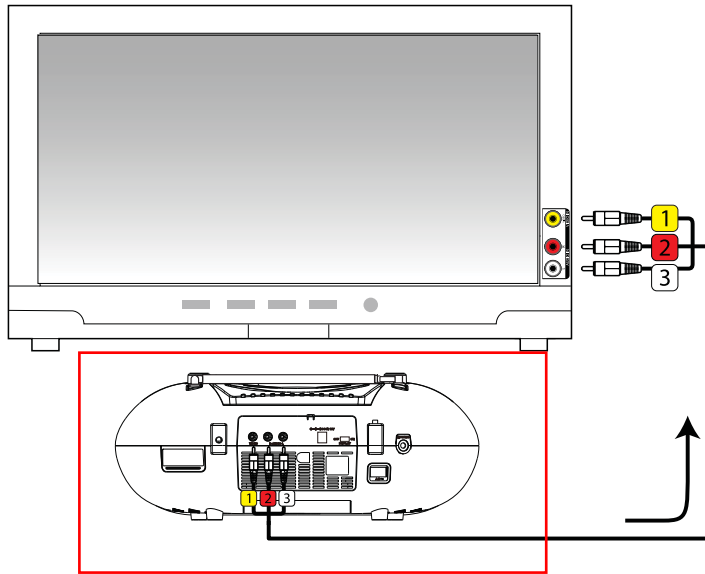
Audio Setup Page

AUDIO SETUP	
KEY	+4
	+2
	0
	-2
	-4

Optional Connections

Connect to a TV (AV Out)

Use your DVD boombox at home with a TV! The TV will need to be able to accept a composite video signal.



not correct photo

With the included AV cable:

1. Connect the yellow plug of the cable to the yellow composite video input of the TV.
2. Connect the red plug of the cable to the red audio input (right) of the TV.
3. Connect the white plug of the cable to the white audio input (left) of the TV.
4. Connect the yellow, red, and white plugs on the other end of the cable to the A/V Out jacks on the back of the unit (i.e., Composite video out [27] (yellow) and Stereo audio out [28] (red and white)).
5. Turn the TV and the unit on.
6. Set the TV to display the composite video source. You will see the unit's output on the screen when the source is set correctly.



Please refer to the owner's manual provided with the TV to learn how to set the display source.

About Optical Discs

Disc Types

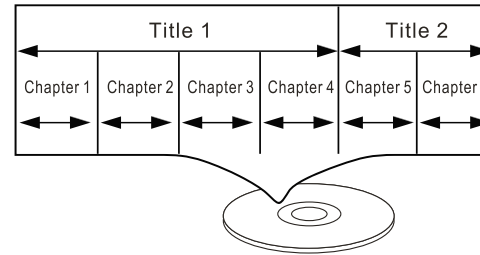
This player supports playback of the following media types and discs.

Type	Content Type
DVD	Audio + Video
MP3	Audio
CD	Audio
Video CD (VCD)	Audio + Video
Picture CD (JPEG)	Still Picture

This unit can play back optical discs or memory cards that contain MP3 or JPEG files. Discs and media types not listed above are not supported by this unit (e.g., PC CD-ROM, CD-Extra, CD-G, CD-I, etc.)

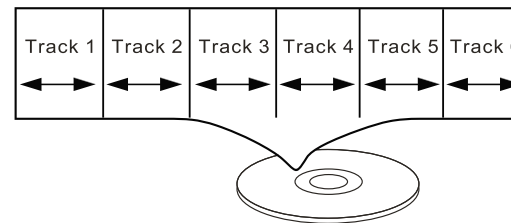
Video DVDs

Data on most DVDs are divided into sections called titles, and then into subsections called chapters; each is given a title or chapter number.



Audio CDs

Data on an audio CD is divided into sections called tracks; each is given a track number.




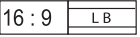



Picture CDs (JPEG)

Data on a JPEG picture CD is usually not divided into separate folders. The picture files should appear in the root directory.

DVD Features

Each DVD disc contains features that may vary depending upon the production of the disc. Some of the icons you may see that represent these features are shown below.

	Number of audio tracks
	Number of subtitles
	Angle indicator
	Screen format (aspect ratio)
	Zoom



Some of the DVD features enabled by this player depend on how the DVD was produced. Some features may not be enabled

if the disc does not support the feature, or it may require special settings. Check the features printed on the DVD package or follow the instructions found on the disc's on-screen menu.

DVD Region Codes

DVD discs and DVD players are manufactured under a compulsory worldwide agreement, the DVD Regional Code System. DVD players will only operate with DVD discs encoded with the same corresponding Regional Code.

Region 1	Canada, USA
Region 2	Europe (including Poland, Romania, Czech Republic), Japan, Middle East (including Saudi Arabia, Egypt, Iran, South Africa)
Region 3	East Asia (including Hong Kong, Taiwan, South Korea), Southeast Asia
Region 4	Australia, Caribbean, Central America, South America, Mexico, New Zealand
Region 5	Africa, the former Soviet Union, India, North Korea, Pakistan, Turkmenistan
Region 6	China

Disc Care and Maintenance

Optical discs (DVDs, CDs) contain high-density compressed data and need proper handling.

Handling a Disc

- Hold a DVD/CD by its edges. Avoid touching the recorded side of the disc. To remove a DVD/CD from its storage case, press down on the center retention mechanism of the case and lift the disc out.
- Do not bend or press discs.
- Do not subject discs to prolonged exposure to direct sunlight, high humidity, or high temperatures.
- To reduce the risk of scratches, always put discs back in their case after use. Store discs vertically in a cabinet.
- Do not place stickers or labels on either side of a disc.





Cleaning a Disc

Use a dry, soft cloth to wipe off any fingerprints and dusts from the playing surface of the disc. Wipe in a straight line radially from the center to the outside edge of the disc. Small dust particles and light stains will not affect playback quality.



Never use chemicals such as record sprays, anti-static sprays, benzene, or thinners to clean a disc. Doing so will damage the surface of the disc permanently.

Warnings and Precautions

	CAUTION WARNING: SHOCK HAZARD. DO NOT OPEN. AVIS: RISQUE DE CHOC ELECTRIQUE. NE PAS OUVRIR	
CAUTION: TO REDUCE THE RISK OF FIRE AND ELECTRIC SHOCK, DO NOT REMOVE THE COVER (OR BACK) OF THE UNIT. REFER SERVICING ONLY TO QUALIFIED SERVICE PERSONNEL.		



The lightning flash with arrowhead symbol within an equilateral triangle is intended to alert the user to the presence of uninsulated “dangerous voltage” within the product’s enclosure that may be of significant magnitude to constitute risk of electric shock



The exclamation point within an equilateral triangle is intended to alert the user to the presence of important operation and servicing instructions in the literature accompanying the appliance.

CLASS 1 LASER PRODUCT

CLASS 1 LASER PRODUCT
APPAREIL LASER DE CLASSE 1
PRODUCTO LASER DE CLASE 1

CAUTION
INVISIBLE LASER RADIATION WHEN
OPEN AND INTERLOCKS DEFEATED.
AVOID EXPOSURE TO BEAM



This product contains a low power laser device.

On Protection Against Laser Energy Exposure

- As the laser beam used in this product is harmful to the eyes, do not attempt to disassemble the casing.
- Stop operation immediately if any liquid or solid object should fall into the cabinet.
- Do not put anything in the safety slot. If you do, the laser diode will be ON when the disc compartment door is still open.
- If the unit is not to be used for a long period of time, make sure that all power sources are disconnected from the unit. Remove all batteries from the battery compartment, and unplug the AC-DC adapter from the wall outlet. Make it a practice to remove the AC-DC adapter by grasping the main body and not by pulling the cord.
- This unit employs a laser. The use of controls or adjustment or performance of procedures other than those specified here may result in exposure to hazardous radiation.

CAUTION

- Do not block the ventilation openings or holes.
- Do not place any naked flames (such as lighted candles) on the apparatus.
- When discarding batteries, follow all local rules and laws governing the disposal of batteries. Consider the environmental impact of your actions!
- Invisible laser radiation when open and interlock has failed or been defeated. Avoid direct exposure to beam.
- To prevent fire or shock hazard, do not expose this appliance to rain or moisture.

Important Safety Information

1. **Read Instructions:** All the safety and operating instructions should be read before the product is operated.
2. **Retain Instructions:** The safety and operating instruction should be retained for future reference.
3. **Heed Warnings:** All warnings on the product and in the operating instructions should be adhered to.
4. **Follow Instructions:** All operating and usage instructions should be followed.
5. **Cleaning:** Unplug this product from the wall outlet before cleaning. Do not use liquid cleaners or aerosol cleaners. Use a damp cloth for cleaning.
6. **Attachments:** Use only attachments recommended by the manufacturer. Use of other attachments may be hazardous.
7. **Water and Moisture:** Do not use this product near water (e.g., near a bathtub, washbowl, kitchen sink, laundry tub, in wet basements, or near a swimming pool and the like).
8. **Accessories:** Do not place this product on an unstable cart, stand, tripod, bracket, or table. Use only with carts, stands, tripods, brackets, or tables recommended by the manufacturer or sold with the product. Any mounting of the product should follow the manufacturer's instructions and should use a mounting accessory recommended by the manufacturer. A product and cart combination should be moved with care. Quick stops, excessive force, and uneven surfaces may cause the product and cart combination to overturn.
9. **Ventilation:** Slots and openings in the cabinet are provided for ventilation to ensure reliable operation of the product and to protect it from overheating. These openings should never be blocked by placing



the product on a bed, sofa, rug, or other similar surface. This product should not be placed in a built-in installation such as a bookcase or rack unless proper ventilation is provided or the manufacturer instructions have been adhered to.

10. **Power Sources:** This product should be operated only from the type of power source indicated on the rating label. If you are not sure of the type of power supply to your home, consult your product dealer or local power company. For products intended to operate from battery power or other sources, refer to the operating instructions.
11. **Grounding or Polarization:** This product may be equipped with a polarized alternating-current line plug that has one blade wider than the other. This plug will only fit into the power outlet in one direction. This is a safety feature. If you are unable to insert the plug fully into the outlet, try reversing the direction of the plug. If the plug does not still fail to fit, contact an electrician to replace the obsolete outlet. Do not defeat the safety purpose of the polarized plug.
12. **Power-Cord Protection:** Power supply cords should be routed so that they are not likely to be walked on or pinched by items placed upon or against them, paying particular attention to cords at plugs, convenience receptacles, and at the point which they exit from the product.
13. **Protective Attachment Plug:** The product may be equipped with an attachment plug with overload protection. This is a safety feature. See the operating instructions for replacement or directions to reset the protective device. If replacement of the plug is required, be sure the service technician has used a replacement plug that has the same overload protection as the original plug as specified by the manufacturer.
14. **Lightning:** For added protection for this product, unplug it from the wall outlet during a lightning storm or when it is left unattended and unused for long periods of time. This will prevent damage to the product due to lightning or power-line surges.

15. **Overloading:** Do not overload wall outlets, extension cords, or integral convenience receptacles as this can result in a risk of fire or electric shock.
16. **Object and Liquid Entry:** Never push objects of any kind into this product through openings as they may touch dangerous voltage points or short-out parts that could result in a fire or electric shock. Never spill liquid of any kind on the product.
17. **Servicing:** Do not attempt to service this product yourself as opening or removing covers may expose you to dangerous voltage or other hazards. Refer all servicing to qualified service personnel.
18. **Damage Requiring Service:** Unplug this product from the wall outlet and refer servicing to qualified service personnel under the following conditions: a) when the power-supply or plug is damaged; b) if liquid has been spilled or if objects have fallen into the product; c) if the product has been exposed to rain or water; d) if the product does not operate normally by following the operating instructions. Adjust only those controls that are covered by the operating instructions as improper adjustment of other controls may result in damage and will often require extensive work by a qualified technician to restore the product to its normal operation; e) if the product has been dropped or damaged in any way; f) when the product exhibits a distinct change in performance—this indicates a need for service.
19. **Replacement Parts:** When replacement parts are required, be sure that your service technician has used replacement parts specified by the manufacturer or have the same characteristics as the original part. Unauthorized substitutions may result in fire, electric shock, or other hazards.
20. **Safety Check:** Upon completion of any service or repairs to this product,ask the service technician to perform safety checks to ensure that the product is in proper operating condition.
21. **Wall or Ceiling Mounting:** The product should be mounted to a wall or ceiling only as recommended by the manufacturer.
22. **Heat:** The product should be situated away from heat sources such as radiators,heat registers, stoves, or other products (including amplifiers) that produce heat.

FCC NOTICE

This device complies with Part 15 of the FCC Rules. Operation is subject to the following two conditions: (1) this device may not cause harmful interference, and (2) this device must accept any interference received, including interference that may cause undesired operation.

Note: This equipment has been tested and found to comply with the limits for a Class B digital device, pursuant to Part 15 of the FCC Rules. These limits are designed to provide reasonable protection against harmful interference in a residential installation. This equipment generates, uses and can radiate radio frequency energy and, if not installed and used in accordance with the instructions, may cause harmful interference to radio communications. However, there is no guarantee that interference will not occur in a particular installation. If this equipment does cause harmful interference to radio or television reception, which can be determined by turning the equipment off and on, the user is encouraged to try to correct the interference by one or more of the following measures:

- Reorient or relocate the receiving antenna.
- Increase the separation between the equipment and receiver.
- Connect the equipment into an outlet on a circuit different from that to which the receiver is connected.
- Consult the dealer or an experienced radio/TV technician for help.

CAUTION ON MODIFICATIONS

Any changes or modifications not expressly approved by the grantee of this device may void the authority granted by the FCC to operate the equipment.

WARNING

This product contains lead, a chemical known to the State of California to cause cancer and birth defects or other reproductive harm. ***Wash hands after handling.***

CAUTION

This product is equipped with a polarized plug (one blade is wider than the other blade) as a safety feature to reduce the risk of electrical shock. This plug will fit into a polarized outlet only one way. This is a safety feature. If you are unable to insert the plug into the electrical outlet, try reversing the plug. If the plug still does not fit, contact a qualified electrician. Never use the plug with an extension cord unless the plug can be fully inserted into the extension cord. Do not alter the plug. Do not attempt to defeat the safety purpose of the polarized plug.

NEC NATIONAL ELECTRICAL CODE

Do not apply oil or petroleum products to this product.

GRAPHIC SYMBOLS WITH SUPPLEMENTARY MARKINGS ARE LOCATED ON THE BOTTOM OF THE UNIT. USE OF ANY CONTROLS OR ADJUSTMENTS OR PERFORMANCE OF PROCEDURES OTHER THAN THOSE HEREIN SPECIFIED MAY RESULT IN HAZARDOUS RADIATION EXPOSURE.

Troubleshooting

No power when ON

- Check the power plug is connected to the back of the unit and then plug into a power outlet.
- Check that the outlet is switched on and working properly.
- Check that the POWER button on the front of the unit has been pressed.

No sound

- Turn the master volume dial clockwise to raise the volume.
- If playing from an external audio device, ensure the volume is turned up to at least 80%.

Disc mode is not working

- Check that your disc is not scratched or dirty.
- Ensure that the lens is clean. If dusty, blow clean air across the lens to remove the dust. If problems persist, use a disc lens cleaner to clean the disc compartment.
- Check there is no moisture inside of the unit. Allow to dry before use.
- Ensure the protective card has been removed from the disc compartment.
- Try a different disc.

Burned discs will not play

- Ensure the burned disc has been finalized. Refer to the documentation provided by your disc burning software to learn more.

What format discs are compatible?

- Formats supported are: CD, CD-R, and CD-RW, DVD±R/RW, JPEG, MP3, and MP3+G.

No sound when connected to a TV

- Ensure component or AV is selected as the source for your TV audio.
- Ensure the color-coded RCA cables are correctly connected to their respective jacks.
- Turn up the volume of the TV or home theatre.

Lyrics do not appear on screen

- Ensure the color-coded RCA cables are correctly connected to their respective jacks.
- Ensure you are playing a karaoke disc with graphics support. Regular audio CDs will not display Lyrics.

No sound from microphone

- Turn up the volume on the MIC and master volume dials.
- Ensure the microphone is switched to the ON position on the

microphone handle.

- Ensure you are singing into the microphone and are not more than 3cm away from the microphone.
- Ensure the microphone jack is securely connected to either MIC 1 or MIC 2.
- Check the echo dial is not set too low

Music or vocals cut out while playing a CD+G and singing with the microphone.

- Ensure you are playing a CD+G that has a vocal track.

Specifications

Screen Type	7" TFT LCD Resolution: 800 x 480 Brightness: 230 cd/m ² (typical) Contrast ratio: 400:1 (typical)
Speaker	5 inch full-range driver RMS: 20 W
Media Support	DVD, DVD±R/RW, CD, CD-R/RW USB (max 32 GB)
Playable Media Formats	Video: MPEG-2 (DVD), MPEG-1 Audio: CD-audio, MP3, WMA, AC-3, OGG
Radio Tuner	FM (PLL)
Wireless Source	Bluetooth® version 2.1 + EDR
Input	MIC 1 (6.35 mm) MIC 2 (6.35 mm) AUX (3.5 mm)
Output	RCA composite video RCA stereo audio

Level Controls	Master volume MIC Echo (reverb) Bass Treble
Power Source	AC 100–240 V DC 12 V Built-in 2600 mAh rechargeable battery
Operating power	20 W 30W
Standby power	2.8 W 2W

Note: Product are improved continuously. We reserve the right to modify the product and specifications without prior notice.

Support

If you have problems with your device, please consult the instructions in this manual. Please also visit us on the web at www.naxa.com to get up to the minute news, alerts, and documentation for your device. For additional assistance, please contact Naxa Technical Support.

NAXA Technical Support

2320 East 49th St.
Vernon, CA 90058

<http://www.naxa.com/supportcenter/>

