



Wireless Portable Karaoke Speaker



NDS-1211



Instruction Manual

Please read carefully before use and keep for future reference.

WARNING

	CAUTION WARNING: SHOCK HAZARD. DO NOT OPEN. AVIS: RISQUE DE CHOC ELECTRIQUE. NE PAS OUVRIR	
CAUTION: TO REDUCE THE RISK OF FIRE AND ELECTRIC SHOCK, DO NOT REMOVE THE COVER (OR BACK) OF THE UNIT. REFER SERVICING ONLY TO QUALIFIED SERVICE PERSONNEL.		



The lightning flash with arrowhead symbol within an equilateral triangle is intended to alert the user to the presence of uninsulated "dangerous voltage" within the product's enclosure that may be of significant magnitude to constitute risk of electric shock.



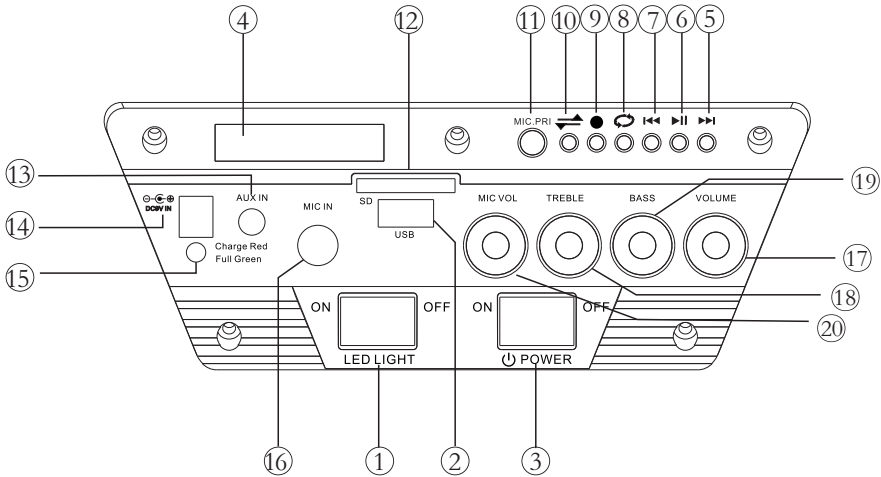
The exclamation point within an equilateral triangle is intended to alert the user to the presence of important operation and servicing instructions in the literature accompanying the appliance.

IMPORTANT SAFETY INSTRUCTIONS

1. Read these instructions.
2. Guard this manual.
3. Obey all alerts.
4. Follow all instructions.
5. **WARNING:** To prevent fire or shock hazard, do not expose this equipment to rain or moisture. Do not store and operate this product near liquid.
6. Clean only with dry cloth.
7. Not store and not operate this product near any heat sources such as radiators and heat registers, stove or other appliances (including amplifiers) that produce heat. Keep this product in a well ventilated place.
8. Not ignore the safety purpose of the polarized or grounding plug. A polarized plug has two blades being wider than the other. A grounding plug has two blades plus a round pin to ground. The wide blade or the third prong is intended to provide security. If the provided plug does not fit into your outlet, consult an electrician to replace the outlet.
9. Protect all wires connected to this unit from being walked on or pinched, particularly at plugs and the point where the cord exits the unit. When unplugging from the electrical outlet, grasp the plug and do not pull the cord.
10. Disconnect the unit during lightning storms or when long period is to remain unused.
11. Keep this unit off when connecting all the devices connected to it.
12. After finishing the installation and connections, connect all your equipment with low volume level. Once all devices are connected, slowly increase the volume or level controls to achieve the proper position.
13. Before placement, installation, assembly or suspending any product, inspect all equipment, suspension, cabinets, transducers, brackets and associated equipment.
Any missing component, corroded, deformed, or with non-nominal load can reduce the intensity, placement and arrangement of the installation significantly. Any of these conditions can reduce the security of the facility and must be corrected immediately.
Use only suitable equipment for the loading conditions of the installation and that any possibility of reducing term, unexpected overload, never exceed the capacity of the material or equipment.
14. Consult a licensed professional to install the equipment and make sure that all local, regional and national regulations related to security are understood and adhered to.
15. All services should be performed by qualified professionals. Servicing is required when the apparatus has been damaged in any way, as if having the power cord or its damaged connector, or if the machine breaks contact with liquid or if any object is inserted in the unit or if the unit is exposed to rain or moisture, or if the unit does not operate normally, or has been dropped.

CHARGE THE BATTERY FULLY BEFORE FIRST USE TO OPTIMIZE ITS LIFETIME PERFORMANCE.

FRONT PANEL



1. LED Light Button – Switch on/off Flashing LED Light on Woofer, switch on (3) to enable this button.
2. USB Input
3. Power Button – Switch on/off unit power supply
4. LED DISPLAY: Display Status
5. ►► NEXT – To change Next track on USB or Memory card during playback, change Next preset frequency in FM mode
6. ►► PLAY/PAUSE in Bluetooth®, USB & Memory card mode, Mute in Aux Mode, Scan for available frequencies in FM mode
7. ◀◀ PREVIOUS - To change Previous track on USB or Memory card during playback, change Previous preset frequency in FM mode
8. (◁): REPEAT – Repeat current or Repeat all tracks in current album on your Memory card or USB drive
9. ● RECORD - Insert USB Drive or Memory card card, Press button for recording FM or Karaoke, Press again to stop and play recording sound.
10. ⇄ MODE: To select source between Bluetooth®, USB, Memory card. AUX, FM
11. MIC PRI: Microphone Priority
12. Memory card: Insert Memory card to listen stored tracks
13. AUX INPUT: Connect external media player using 3.5mm line in cable (Cable not included)
14. DC 9V IN: Charging port for unit using provided Adaptor
15. BATTERY INDICATOR: lights up RED when unit is charging
16. MIC IN: Microphone input for karaoke
17. MASTER VOLUME CONTROL: Increase/Decrease unit's Volume output
18. TREBLE: Adjust Treble
19. BASS: Adjust Bass
20. MIC VOL: Increase/Decrease Microphone Volume

REMOTE CONTROL



Uses 2xAAA batteries (Batteries Not Included)

1. Power Standby
2. MODE: Switch source BT/USB/Memory card/AUX/FM
3. MUTE
4. VOLUME UP*
5. NEXT
6. PLAY/PAUSE
7. EQ: Adjust sound effect
8. STOP Memory card OR USB
9. PREVIOUS
10. VOLUME DOWN
11. REPEAT – Repeat one or all
12. NUMBER KEYPAD – Select track number

* MAXIMUM VOLUME from remote will be volume set on unit control panel's master volume control

MICROPHONE



1. To prevent damage to the microphone, do not turn on the microphone before setting the microphone Volume dial to zero. the microphone and slowly increase the microphone volume.
2. If you notice static or distortion in the microphone, ensure that the XLR cable is connected to the microphone securely and that the ECHO level is set to a reasonable level.
3. Turn the microphone off when it is not in use.

PAIRING A BLUETOOTH® DEVICE

Use Bluetooth® mode to stream music from a Bluetooth® enabled player (e.g., smartphone or tablet device). A device must be paired with the unit before using them together for first time

1. Make sure Bluetooth® is enabled on your device and that it is next to the unit before attempting to pair it
2. Turn on the DJ Speaker and set it to Bluetooth® mode (Press the MODE Button). The speaker will automatically enter pairing mode and make a beeping sound.
3. Use your device to search for nearby Bluetooth devices. The Speaker will be listed as "SOUND PRO NDS-1211". (This function is usually in the Bluetooth® settings menu; refer to your device's instruction manual to learn more.)
4. Select "SOUND PRO NDS-1211" from the list of found/available devices. The speaker will make a confirmation tone that connection is successful. You can now start playback on your connected device to begin streaming music to the speaker.

SPECIFICATIONS

Woofer x 1, Driver Size: 12"

Tweeter x 1, Size: 1.5"

Peak Music Power Output: 3000W

Wireless Source: Bluetooth®

Removable Memory Support: USB/Memory card

Audio Format Support: MP3

Tuners: FM

Input Sources: 3.5mm AUX, 6.3mm MIC

FCC NOTICE

This device complies with Part 15 of the FCC Rules. Operation is subject to the following two conditions: (1) this device may not cause harmful interference, and (2) this device must accept any interference received, including interference that may cause undesired operation.

Note: This equipment has been tested and found to comply with the limits for a Class B digital device, pursuant to Part 15 of the FCC Rules. These limits are designed to provide reasonable protection against harmful interference in a residential installation. This equipment generates, uses and can radiate radio frequency energy and, if not installed and used in accordance with the instructions, may cause harmful interference to radio communications. However, there is no guarantee that interference will not occur in a particular installation. If this equipment does cause harmful interference to radio or television reception, which can be determined by turning the equipment off and on, the user is encouraged to try to correct the interference by one or more of the following measures:

- Reorient or relocate the receiving antenna.
- Increase the separation between the equipment and receiver.
- Connect the equipment into an outlet on a circuit different from that to which the receiver is connected.
- Consult the dealer or an experienced radio/TV technician for help.

CAUTION ON MODIFICATIONS

Any changes or modifications not expressly approved by the grantee of this device may void the authority granted by the FCC to operate the equipment.

SUPPORT

If you have problems with your device, please consult the instructions in this manual. Please also visit us on the web at www.naxa.com to get up to the minute news, alerts, and documentation for your device. For additional assistance, please contact Naxa Technical Support.

NAXA Technical Support
2320 East 49th St.
Vernon, CA 90058
(866) 411-6292

<http://www.naxa.com/supportcenter/>



