



In-Dash MP3 Player and Receiver with Bluetooth® and Flip-Down Faceplate

NCA-615



Instruction Manual

Please read carefully before use and keep for future reference.

Important Safety Information

READ THIS MANUAL THOROUGHLY BEFORE USING THIS UNIT. KEEP THIS MANUAL FOR FUTURE REFERENCE.

Precautions & Warnings

- To reduce the risk of fire, electric shock, and interference, do not attempt to repair this unit yourself. Refer all service to a qualified technician.
- Some MP3/WMA files may not be playable.
- Keep the volume at a reasonable level to avoid distracted driving. High volume levels may make it difficult to concentrate on traffic and road conditions while driving.
- If the car has been in direct sunlight for an extended period, you may need to reduce the temperature inside the car before turning on and using the unit.
- If the battery is disconnected, discharged, or changed, the preset memory of the unit will be lost and require reprogramming.
- The unit is designed to be installed in a level, horizontal position. For optimal performance, avoid installing the unit at an angle.
- Never use excessive force when removing or attaching

the faceplate. Do not tightly grip the display and buttons to avoid damage.

- ALWAYS LOWER THE VOLUME BEFORE TURNING OFF THE UNIT OR SWITCHING THE IGNITION OFF.

Table of Contents

Important Safety Information	2	In the Box	4
At a Glance	5	Warnings and Precautions.....	14
Electrical Connections.....	7	Specifications	16
Installation Guide	8	Support	16
Installation Procedures.....	8		
Installation Opening.....	8		
Attaching the Faceplate to the Chassis	9		
To detach the faceplate:.....	10		
Remote Control	11		
Pairing a Bluetooth® Device	12		
Troubleshooting	13		
Thank You	4		

Thank You

We know you have many choices when it comes to technology; thank you for choosing us here at Naxa Electronics. Established in 2001 in Los Angeles, California, we are dedicated to delivering products that entertain and delight.

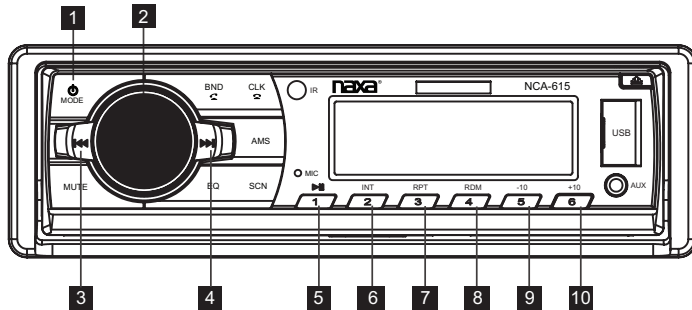
We trust that you will be happy with your purchase. Please read this manual carefully and save it for reference. You may also find the latest FAQ, documentation, and other product material at our website. Come visit us on the web at **www.naxa.com** and see all that we have to offer!

In the Box

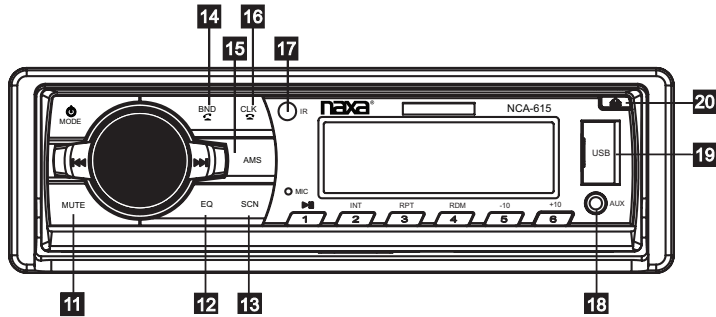
Please take a moment to make sure that you have everything in the list below. Although we make every effort to ensure that each Naxa device is securely packed and sealed, we know a lot can happen in between us and you. If anything is missing, check back with your local retailer to get immediate assistance. If they cannot help you, please contact our Naxa Support team at **www.naxa.com/naxa_support**.

- NCA-615 main unit & faceplate
- Faceplate case
- Remote control
- Installation kit

At a Glance

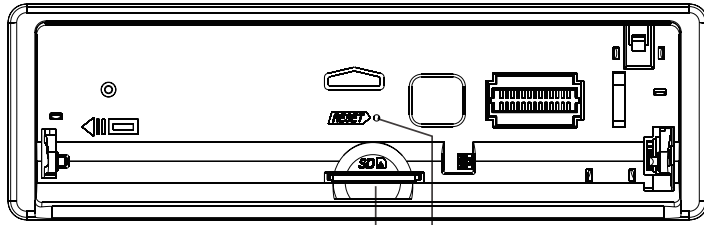


1	 MODE	Power. Press to turn the unit on and to change the active source mode: Radio, USB, CARD, AUX IN, BT. (USB & CARD modes are only available when media is detected by the player.) Press and hold to turn the unit off.
2	Volume/ Options	Rotate to adjust the volume level. Press to cycle through the options menu and rotate the dial to adjust the options: Bass, Treble, Balance, Fader, Loud Off, EQ Off, Loc/DX, Stereo, Vol.
3		USB/CARD/BT: Press to skip to the previous track. RADIO: Press to auto scan down to the next station. Press and hold to tune to a lower frequency.
4		USB/CARD/BT: Press to skip to the next track. RADIO: Press to auto scan up to the next station. Press and hold to tune to a higher frequency.
5	 /1	USB/CARD/BT: Press to start/pause/resume play. RADIO: Preset station 1.
6	INT/2	USB/CARD: Press to change the intro mode. RADIO: Preset station 2.
7	RPT/3	USB/CARD: Press to change the repeat mode. RADIO: Preset station 3.
8	RDM/4	USB/CARD: Press to change the random mode. RADIO: Preset station 4.
9	-10/5	USB/CARD: Press to skip back 10 tracks. RADIO: Preset station 5.
10	+10/6	Press to skip forward 10 tracks. RADIO: Preset station 6.



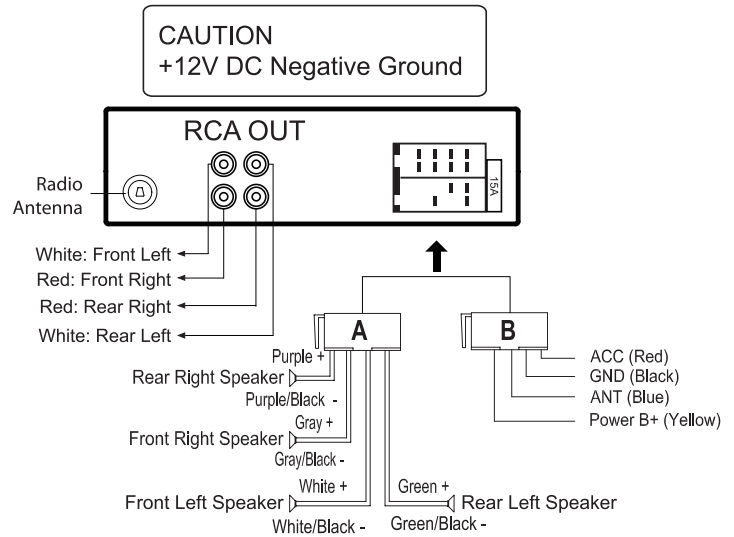
11	MUTE	Press to temporarily disable/restore the sound.
12	EQ	Press to change the audio equalizer.
13	SCN	Press to scan for radio stations. The radio will play each station for 5 seconds before automatically moving to the next one.
14	BAND/ [CALL]	<p>BT: Answer/make phone calls when connected to a smartphone. Press once; "--" will flash on the screen. Then:</p> <ul style="list-style-type: none"> • Press again to redial the last number, or • Use the remote keypad to enter a phone number, then press again to place the call. <p>RADIO: Press to change the radio band (FM1, FM2, FM3, AM1, AM2).</p>

15	AMS	<p>USB/CARD: Press to enter track search mode, then rotate the volume dial to scan through the track.</p> <p>Radio: Automatic Memory Save. Press to scan for the strongest radio station signals and automatically save them to preset memory. The radio can save up to 6 stations.</p>
16	CLK / [END]	<p>CLOCK: Press once to display the time. Press and hold to set the time.</p> <p>BT: Reject an incoming phone call or end a call when connected to a smartphone with Bluetooth.</p>
17	IR	Remote sensor.
18	AUX connector	AUX mode. 3.5mm stereo connection for devices with 3.5mm line-out or headphone output.
19	USB port	USB mode. Load USB memory sticks here. The USB port is designed for media playback from flash memory devices. It is not designed to charge high-power devices.
20	Release	Press to flip down the front panel in order to access the SD slot, reset the unit, or to remove the faceplate.



- 21 SD card slot SD mode. Load an SD memory card here.
- 22 RESET Press to reset the system. All options will return to their factory default settings. Press RESET if the display is frozen or the system is otherwise unresponsive.

Electrical Connections



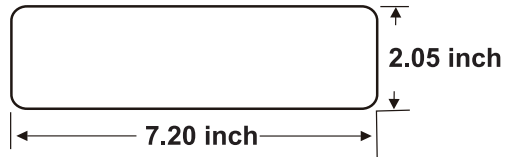
Installation Guide

Installation Procedures

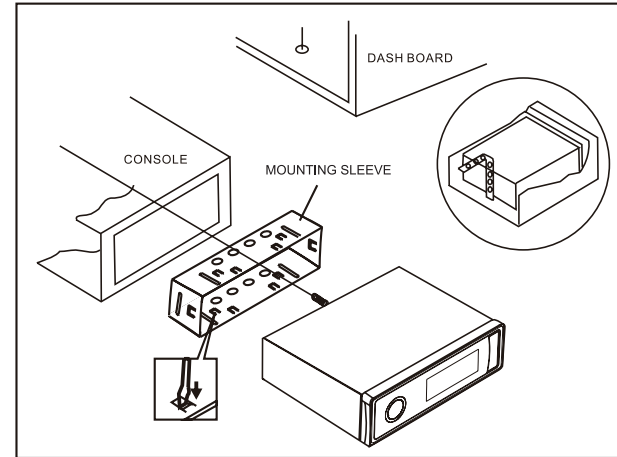
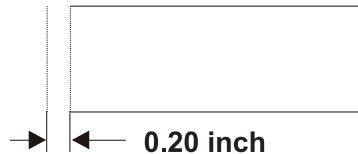
First complete the electrical connections, and then check to make sure everything is secure and correct.

Installation Opening

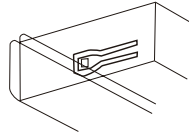
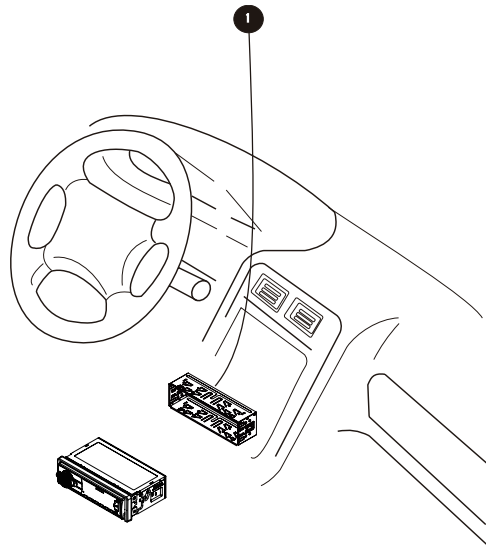
This unit can be installed in any dashboard having an opening as shown below.



The dashboard must be 4.75–5.56mm thick in order to be able to support the unit.

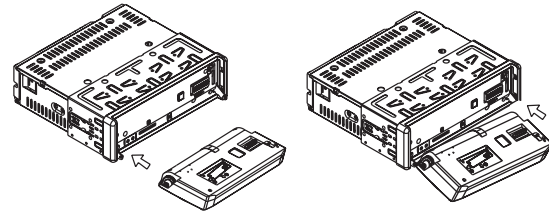
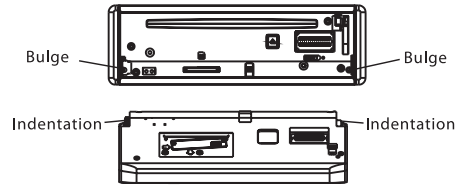


Insert the mounting sleeve into the dashboard and bend the mounting tabs out with a screwdriver. Make sure that the lock lever (※) is flush with the mounting collar and is not projecting beyond.

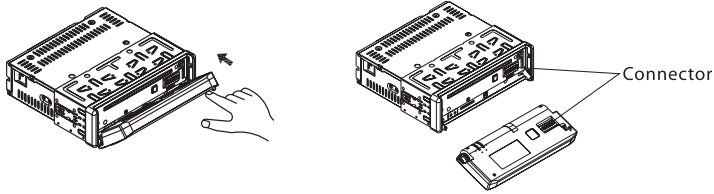


Attaching the Faceplate to the Chassis

1. Align the indentation on the right of the faceplate with the right “bulge” of the chassis.
2. Slide the faceplate in and hold it to the left; at the same time, bring the other end of the faceplate towards the chassis, making sure to align the indentation with the “bulge.”



3. Flip the faceplate up until it clicks into place and attaches to the chassis.

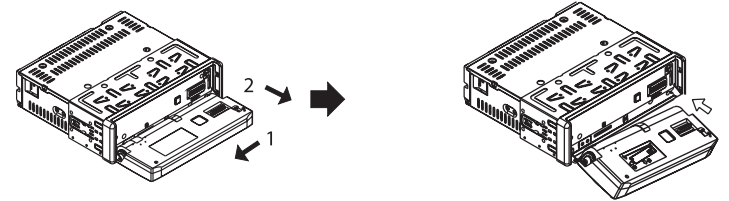


To detach the faceplate:

1. Press the RELEASE button to flip the faceplate down.



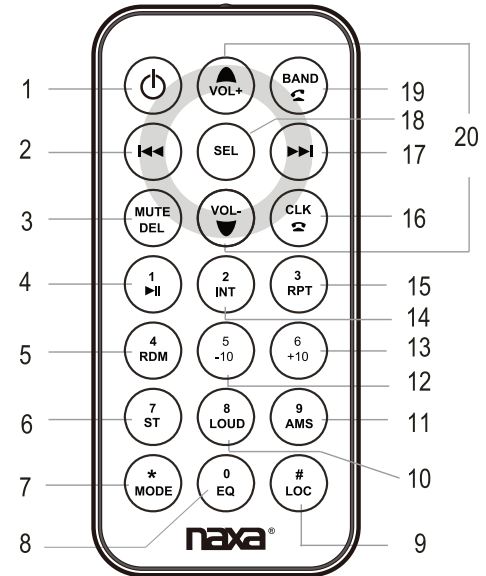
2. Gently push the faceplate to the left to release it from the chassis, then pull it away from the chassis.



Remote Control

1. Power On/Off
2. Previous Track
3. Mute, Delete
4. Play/Pause, Preset 1/Keypad 1
5. Random Play, Preset/Keypad 4
6. Stereo, Keypad 7
7. Mode, Keypad *
8. Preset EQ (Flat/Pop/Class/Rock), Keypad 0
9. Local, Keypad #
10. Loudness, Keypad 8
11. AMS, Keypad 9
12. Previous 10 Tracks, Preset/Keypad 5
13. Next 10 Tracks, Preset/Keypad 6
14. Intro Play, Preset/Keypad 2
15. Repeat Play, Preset/Keypad 3
16. Clock Display/Set, End Call
17. Next Track
18. Audio Control, Function
19. Band, Answer Call
20. Volume Control (Up, Down)

Note: When operating the remote control for the first time, you must pull out the protective plastic tab from the battery compartment found on the back of the remote control.



Pairing a Bluetooth® Device

A Bluetooth enabled device must be paired with the receiver before using them together for the first time. After a device has been paired, the receiver will automatically connect to it when placed in BT (Bluetooth) mode.

Note: Only one device at a time can be connected to the receiver. Use your device to unpair with the receiver before attempting to pair another device.

1. Make sure Bluetooth® is enabled on your device. Enable it if it hasn't.
2. Press MODE on the receiver until the display reads **BT**.
3. Use your device to search for available Bluetooth devices (i.e., your receiver). This function is usually in the Bluetooth settings menu; refer to your device's instruction manual to learn more
4. The receiver will announce itself as "NAXA NCA-615." Select the receiver.

Notes:

If the pairing process fails, turn the receiver off, press MODE to place it in BT mode again, and repeat steps 1-4.

Make sure that the volume of your device is set to its maximum level; then use the receiver to adjust the volume to a comfortable level.

The speaker cannot be paired with more than one device at a time.

Press MODE until the display reads BT.

Troubleshooting

If you suspect something is wrong, immediately turn the power off. Do not use the unit while it is exhibiting abnormal behavior (for example, no sound, or if it is smoking and emitting a foul smell). Continuing to use the unit in this state could lead to a fire or electric shock. Discontinue use immediately and contact Naxa Technical Support (www.naxa.com/naxa_support/).



Never attempt to repair the unit by yourself. There are dangerous, high-voltage components inside.

General

There is no power or sound.

The car's engine switch is not on. Turn your car's ignition switch to "ACC" or "ON."

The unit was not installed securely. Check all of the cables and connections.

The fuse has burned out. Replace the fuse.

The volume level may be set to "0" or MUTE may be enabled.

Radio

There is a lot of static in the broadcast.

The station signal is too weak. Select another station with a stronger signal level.

My saved preset stations have been lost.

The battery/power cable may not be securely connected. Connect the battery cable to the terminal that is always live.



USB / SD

The USB or SD card is loaded but there is no sound.

The USB or SD card has not been securely loaded. Remove it and try again.

The USB or SD card may be damaged, or it may not contain compatible music files. Try another USB drive or SD card, or try loading different files onto it.

Warnings and Precautions

	CAUTION WARNING: SHOCK HAZARD. DO NOT OPEN. AVIS: RISQUE DE CHOC ELECTRIQUE. NE PAS OUVRIR	
CAUTION: TO REDUCE THE RISK OF FIRE AND ELECTRIC SHOCK, DO NOT REMOVE THE COVER (OR BACK) OF THE UNIT. REFER SERVICING ONLY TO QUALIFIED SERVICE PERSONNEL.		



The lightning flash with arrowhead symbol within an equilateral triangle is intended to alert the user to the presence of uninsulated “dangerous voltage” within the product’s enclosure that may be of significant magnitude to constitute risk of electric shock



The exclamation point within an equilateral triangle is intended to alert the user to the presence of important operation and servicing instructions in the literature accompanying the appliance.

CAUTION

- Do not block the ventilation openings or holes.
- Do not place any naked flames (such as lighted candles) on the apparatus.
- When discarding batteries, follow all local rules and laws governing the disposal of batteries. Consider the environmental impact of your actions!
- To prevent fire or shock hazard, do not expose this appliance to rain or moisture.

WARNING:

This product contains lead, a chemical known to the State of California to cause cancer and birth defects or other reproductive harm. ***Wash hands after handling.***

FCC NOTICE

This device complies with Part 15 of the FCC Rules. Operation is subject to the following two conditions: (1) this device may not cause harmful interference, and (2) this device must accept any interference received, including interference that may cause undesired operation.

Note: This equipment has been tested and found to comply with the limits for a Class B digital device, pursuant to Part 15 of the FCC Rules. These limits are designed to provide reasonable protection against harmful interference in a residential installation. This equipment generates, uses and can radiate radio frequency energy and, if not installed and used in accordance with the instructions, may cause harmful interference to radio communications. However, there is no guarantee that interference will not occur in a particular installation. If this equipment does cause harmful interference to radio or television reception, which can be determined by turning the equipment off and on, the user is encouraged to try to correct the interference by one or more of the following measures:

- Reorient or relocate the receiving antenna.
- Increase the separation between the equipment and receiver.
- Connect the equipment into an outlet on a circuit different from that to which the receiver is connected.
- Consult the dealer or an experienced radio/TV technician for help.

CAUTION ON MODIFICATIONS

Any changes or modifications not expressly approved by the grantee of this device may void the authority granted by the FCC to operate the equipment.

Specifications

Installation Options	In-dash, single DIN
Faceplate	Detachable, Flip-down
Display Type	LCD
Disc Support	--
Bluetooth® Version	????????
Removable Memory Support	USB, SD, SDHC
Playable Media Formats	MP3, WMA
Radio Tuner	AM/FM with digital preset tuning AM: 530–1710 kHz FM: 87.5–107.9 MHz
Input	3.5mm AUX audio
Power Output (max)	4 audio channels (4 x 25W)
Power Source	DC 12 V
Fuse	15 A

Note: Product are improved continuously. We reserve the right to modify the product and specifications without prior notice.

Support

If you have problems with your device, please consult the instructions in this manual. Please also visit us on the web at www.naxa.com to get up to the minute news, alerts, and documentation for your device. For additional assistance, please contact Naxa Technical Support.

NAXA Technical Support

2320 East 49th St.
Vernon, CA 90058

http://www.naxa.com/naxa_support/

