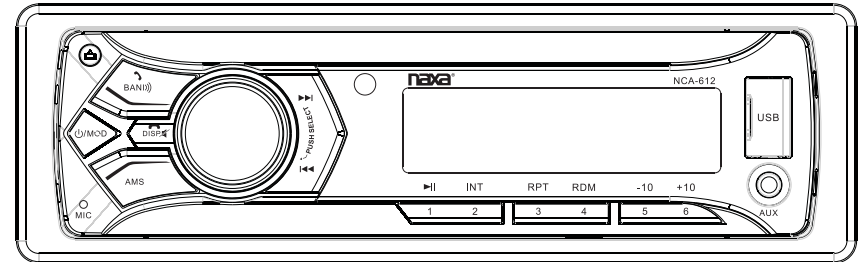


# naxa®

## NCA-612

### INSTRUCTION MANUAL



**MP3 PLAYER / RECEIVER**  
**USB / SD / MMC / AUX SLOT**

## SPECIFICATION

---

### General

Power Supply Requirements:	DC 24V, Negative Ground
Load Impedance:	4 ohms
Maximum Output Power:	7W x 4 (CH)
Chassis Dimensions:	178 x 130x 50mm (W x D x H)
Current Drain:	5A

### Tone Controls

Bass (at 100Hz):	+10dB / -10dB
Treble (at 10K):	+10dB / -10dB

### USB/SD MUSIC Player

Signal to Noise Ratio:	More than 60dB
Channel Separation:	More than 60dB
Frequency Response:	20Hz - 20KHz

### FM Radio

Frequency Coverage (MHz):	87.5 - 107.9MHz
IF :	10.7MHz
Sensitivity (S/N-30dB):	12dBu
Stereo Separation:	>30dB

### AM Radio

Frequency Coverage (KHz):	530 - 1710KHz
IF :	450KHz
Sensitivity (S/N-20dB):	<42dBu

Remarks:  
Specifications subject to change without notice

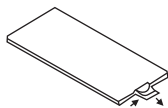
# REMOTE CONTROL LAYOUT

---

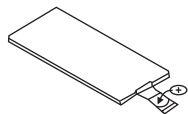
## Replacing the Battery

When the operational range of the remote control becomes short or non functions while operating. Replace a new CR2025 battery. Make sure the battery polarity before replacement.

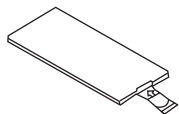
1. Pull out Battery Holder while pressing the stopper



2. Put the button type battery (+) mark upward into the Battery Holder.



3. Insert the Battery Holder into the Remote control



---

Installation.....	02
Additional information.....	04
General operations.....	05
Radio operations .....	08
USB/SD operations .....	09
Bluetooth.....	10
Remote controllayout.....	11
Specification.....	13

## INSTALLATION

### PRECAUTIONS

Choose the mounting location where the unit will not interfere with the normal driving function of the driver.

Before finally installing the unit, connect the wiring temporarily and make sure it is all connected up properly and the unit and the system work properly.

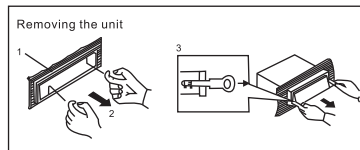
Use only the parts included with the unit to ensure proper installation. The use of unauthorized parts can cause malfunctions.

Consult with your nearest dealer if installation requires the drilling of holes or other modifications of the vehicle.

Install the unit where it does not get in the driver's way and cannot injure the passenger if there is a sudden stop. Like an emergency stop.

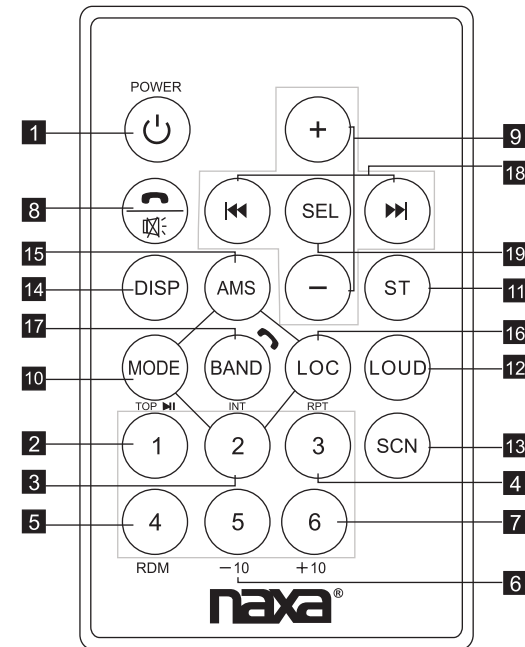
Avoid installing the unit where it would be subject to high temperature, such as from direct sunlight, or from hot air, from the heater, or where it would be subject to dust, dirt or excessive vibration.

### DIN FRONT-MOUNT (Method A)



1. Frame
  2. Insert fingers into the groove in the front of frame and pull out to remove the frame. (When reattaching the frame, point the side with a groove downwards and attach it.)
  3. Lever
- Insert the levers supplied with the unit into the grooves at both sides of the unit and shown in figure until they click. Pulling the levers makes possible to remove the unit from the dashboard.

## REMOTE CONTROL LAYOUT



- |   |                                |    |                                       |
|---|--------------------------------|----|---------------------------------------|
| 1 | Power Button                   | 10 | Mode Switch                           |
| 2 | Pause/play/ Preset Button1     | 11 | ST/MO Button                          |
| 3 | Intro/ Preset Button2          | 12 | Loudness Button                       |
| 4 | Repeat Playing/ Preset Button3 | 13 | Scan Button                           |
| 5 | Random/ Preset Button4         | 14 | Display Button                        |
| 6 | Preset Button5                 | 15 | APS/ AMS Button                       |
| 7 | Preset Button6                 | 16 | LOC/ DX Button                        |
| 8 | Mute/ Button                   | 17 | Band/ Switch                          |
| 9 | Volume Control                 | 18 | Tuning/ Selecting Tracks/ F. F / F. R |
|   |                                | 19 | Select Button                         |

## BLUETOOTH

### 1. Pairing connect.

Turn on car unit, put your mobile near the unit, activate your mobile bluetooth function. Soon the phone will find the new bluetooth device "CAR AUDIO". Input the pairing password "8888" and click OK. The phone will prompt the matching successful. When the pairing connect is successful, on the LCD, it shows BT ON, and the bluetooth logo "S" will stop blinking. Then you may perform the bluetooth operation.

REMARK: depend on bluetooth mobile, the bluetooth system support "HSP" "HFP" "A2DP" and AVRCP bluetooth profile.

### 2. Handsfree phone service

If your mobile phone have matched with the unit. You can dial calls out through your mobile phone. It will turn to unit automatically when calling come in and the calling phone number will indicate on the LCD screen.

- Press the "BAND" button shortly to accept the call. Then you can talk with the other party through the mic on the panel.
- Press "MUTE" button shortly to reject the call when calling come in.
- Press "MUTE" button shortly to hang up after you finish the talk.

### 3. Advance Audio distributing profile(A2DP) playing.

Through mobile and unit A2DP connected, press "MODE" and turn to A2DP mode at the same time, the music playing in mobile can turn to the unit audio system play. "A2DP" will display on LCD. Press button "←" and "→" in the panel can select the music track.

- Press "←" button shortly to pause the music playing.
- Press "BAND"(mode) longly to temporarily disconnect the bluetooth.
- Press "BAND"(mode) button longly again to reconnect the bluetooth.

### 4. Phone number book.

This bluetooth system can automatically store incoming call numbers, up to 10 phone numbers.

- Press "MUTE"(mode) button longly to enter the phone number book and press VOL button to look up the phone number.
- Press "BAND" button once can call out your desired phone number.

### 5. Interrupt bluetooth connection/reconnection.

Pressing the "BAND" button shortly to interrupt the bluetooth connection when you are talking a call and the voice can turn to mobile speaker. Press "BAND" button again to reconnection.

NOTE: Different mobile phone have different responses. We do not guarantee all the operation of connectable devices.

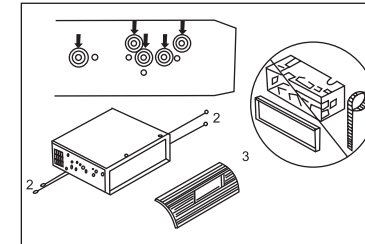
### 6. How to delete stored phone number?

You just can store ten number of missed, rejected and ANS under separately, and the first number will auto deleted when the 11th number calling

### 7. How to use "RECEIVED" "MISSED" "REJECTED" "MANU ANS/ AUTO ANS" Functions.

Press "MUTE" for 3 seconds to enter into "RECEIVED" "MISSED" "REJECTED" "MANU ANS/AUTO ANS". Turn VOL button for choosing the telephone number.

## INSTALLATION



Fastening the unit to the factory radio mounting bracket:

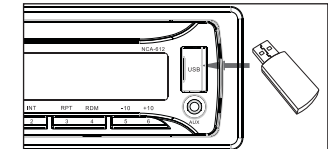
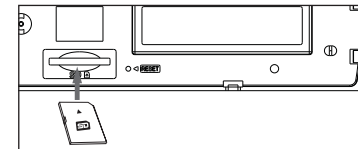
1. Select a position where the screw holes of the bracket and the screw holes of the main unit become aligned (are fitted), and tighten the screws at 2 places on each side. Use either truss screws (5 x 5mm).
2. Screw
3. Dashboard or Console.

### DIN REAR-MOUNT (Method B)

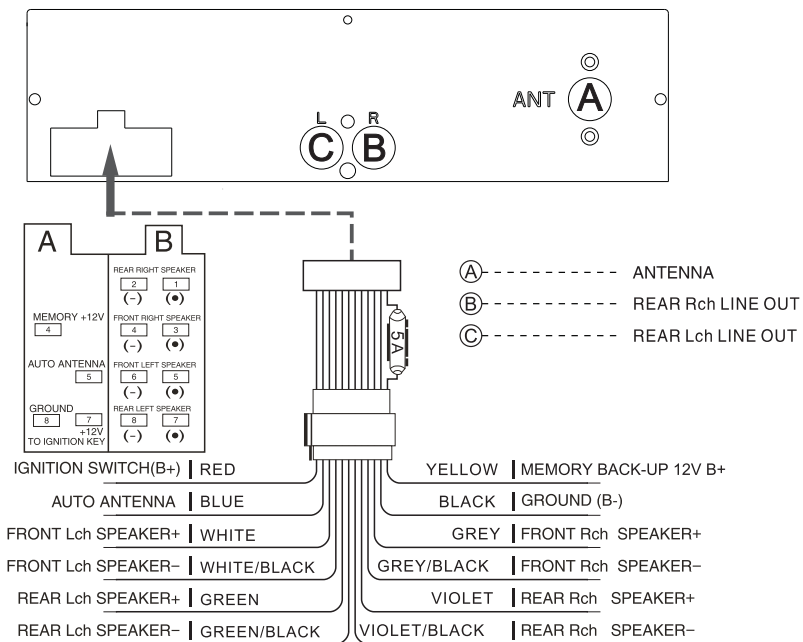
Installation using the screw holes on the sides of the unit.

### INPUT THE SD CARD

The SD oblique angle keeps Rightward exposure, put into the SD slot and press it again to eject.



## WIRE CONNECTION DIAGRAM



## USB/SD FLASH MP3 Playing:

### PLAY / PAUSE

Press button (10) pause function is activated. Music track play time INDICATOR flashes. Press it again to resum palying, press it more than 1 second is TOP function.

### INT

Press button (11): During INTRO ON, INT indicator comes on and begins Playing the first 10sec of each song, until the last song is played. It begins playing the entire track from where INT started

### RPT

Press preset button (12): Flash play mode : REPEAT ON / OFF is activated. When REPEAT ON, RPT INDICATOR comes on and repeats the current music track.

### RDM

Press preset button (13): During RANDOM ON, RDM INDICATOR is turned on and each track of disc is played in random instead of normal order.

## SELECT TRACKS

During USB/SD operation, press SEEK "◀◀" (8) button or SEEK "▶▶" (7) button to move to the previous track or the following track, Track number shows on display. During USB/SD, hold SEEK "◀◀" (8) button or SEEK "▶▶" (7) to fast reverse or fast forward. Music play starts from when you release the button.

Press preset button (15-16):

- MP3 MODE : 10 TRACK UP / DOWN is activated.

When the total track is 10 or less, KEY is inactivated.

## RADIO OPERATIONS

### BAND SELECTION

At tuner mode, press BAND button (6) to select the desired band. The reception band will change in the following order:



### STATION SELECTION

During radio mode, Press “SEEK ◀” or “SEEK ▶” buttons shortly to automatically search a station, Press “SEEK ◀” or “SEEK ▶” buttons more than 1 second is operated as manual turning mode.

### AUTOMATICALLY MEMORY STORING & PROGRAM SCANNING

- Automatically Memory Storing

Press AMS(MP3) button (9) for several seconds, the radio searches from the current frequency and checks the signal strength until one cycle search is finished.

And then 6 strongest stations are stored into the corresponding preset number button.

- Program Scanning

Press AMS(MP3) button (9) shortly to scan preset station. When the AMS mode is carry out, “INT” appear on LCD display, the unit scan each stored station for 5 seconds, you also can press the corresponding number button or AMS button. Your desired station will start playing.

### STATION STORING

Press preset button (11~16)

RADIO MODE.

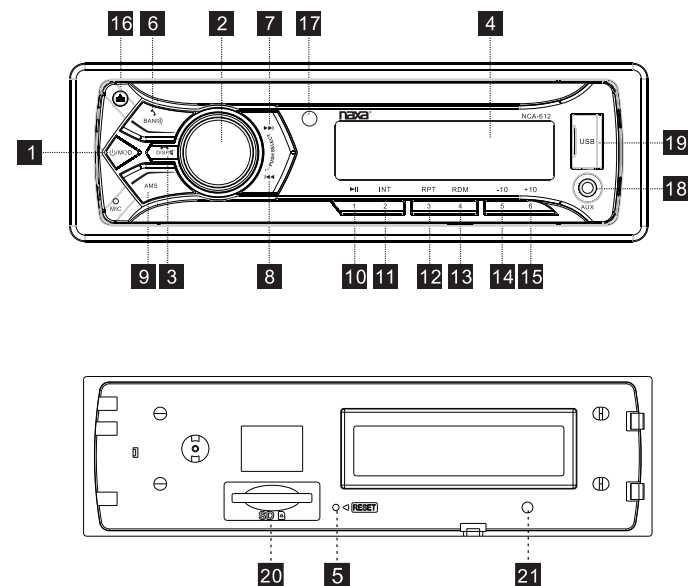
M1 ~ M6

- PRESET MEMORY is loaded when key is pressed for less than 1 second.

- PRESET MEMORY is saved when key is pressed for longer than 1 sec.

## GENERAL OPERATIONS

### FRONT PANEL LAYOUT



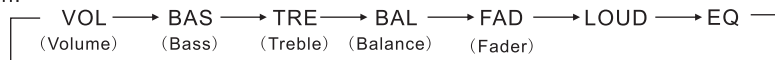
- |   |                                    |
|---|------------------------------------|
| <b>1</b> Power/MOD Button                 | <b>12</b> Repeat & Preset Button 3 |
| <b>2</b> Volume/Sel Button                | <b>13</b> Random & Preset Button 4 |
| <b>3</b> Display/⏏/⏪ Button               | <b>14</b> Preset Button 5          |
| <b>4</b> LCD Display                      | <b>15</b> Preset Button 6          |
| <b>5</b> Reset Button                     | <b>16</b> Release Button           |
| <b>6</b> Band/↻switch/ID3 select          | <b>17</b> Remote Control sensor    |
| <b>7</b> Tune Seek & Track forward Button | <b>18</b> AUX IN JACK              |
| <b>8</b> Tune Seek & Track reverse Button | <b>19</b> USB connector            |
| <b>9</b> Automatically memory storing     | <b>20</b> SD/MMC slot              |
| <b>10</b> Play/pause & Preset Button 1    | <b>21</b> Flashing LED             |
| <b>11</b> Intro & Preset Button 2         |                                    |

### POWER /MOD conversion

2. Under power off status, short press is power on,  
Under power on status, short press is switching mode, long press is power off.

### SOUND ADJUSTMENT

Turn on (2) can adjust the desired volume quality.  
Press SEL button (2) will change in the following order.  
Option:



### VOLUME

Adjust volume level by using VOL/SEL (2) knob. Turn the VOL knob to left to decrease the sound level, turn the VOL knob to right to increase the sound level.  
Note: The unit is initially set to volume mode.

### BASS

Press VOL/SEL button(2) one time. Adjust bass level by using VOL/SEL(2) Knob.

### TREBLE

Press VOL/SEL button(2) two times. Adjust treble level by using VOL/SEL(2) Knob .

### BALANCE

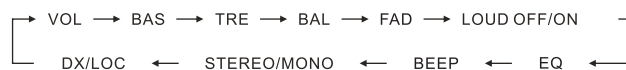
Press VOL/SEL button(2) three times. Adjust sound balance between left and right speakers by using VOL/SEL(2)Knob .

### FADER (optional)

Press SEL button(2) four times. Adjust sound balance between front and rear speakers by using VOL/SEL(2)Knob.

### SELECT MENU

Short press VOL/SEL button for several seconds, selecting menu is activated as cyclical mode of following function for use's selection:



Press VOL/SEL button shortly and turn VOL button to right or left to select different menu mode.

### EQ OFF/ON

Select "EQ ON " POP → CLASS → ROCK → EQ OFF menu male.

### LOUD ON/OFF MODE

In loud on mode the bass and treble response will be boosted.

### STEREO/MONO

When FM station are weak and are disturbed. Listening can be improve by selecting MONO.

### LOCAL/DX

"LOCAL" position in areas with strong signals to let radio stop at only strong stations during manual turning select distant position in areas with weak signals to listen to all stations.

### AREA SETUP

In Radio mode. Long press SEL button for several seconds. LCD will be show from BEEP ON → AREA USA/EUR. At AREA USA/EUR. You can use VOL +/- to select the AREA frequency.

*Note: \* On Remote Control*

Shortpress "DISP" button to turn on the mute, Press "DISP" again to turn off the mute.

Longpress "DISP" , LCD screen shows clock "00:00" . Shortpress "DISP" , the hour flashes, rotate "VOL+/- " to adjust hour. Press "SEL" button, minute flashes, rotate "VOL+/- " to adjust the minute. If there is no operation within 5 seconds, the unit will memorize the current time and return to current mode.

### RESET

RESET button (5) is placed on the housing and must be activated with either a ball point pen or thin metal object. (Do not use sharp object to avoid damaging the unit.) The RESET button (5) is to be activated for the following reasons:

- Initial installation of the unit when all wiring is completed.
- All the function buttons do not operate.
- Error symbol on the display.