

Instruction Manual

Please read carefully before use and keep for future reference.

Thank You

We know you have many choices when it comes to technology; thank you for choosing us here at Naxa Electronics. Established in 2001 in Los Angeles, California, we are dedicated to delivering products that entertain and delight.

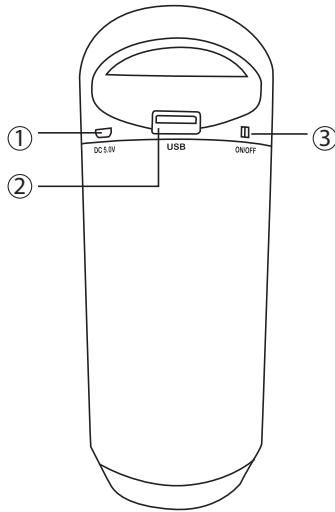
We trust that you will be happy with your purchase. Please read this manual carefully and save it for reference. You may also find the latest FAQ, documentation, and other product material at our website. Come visit us on the web at **www.naxa.com** and see all that we have to offer!

In the Box

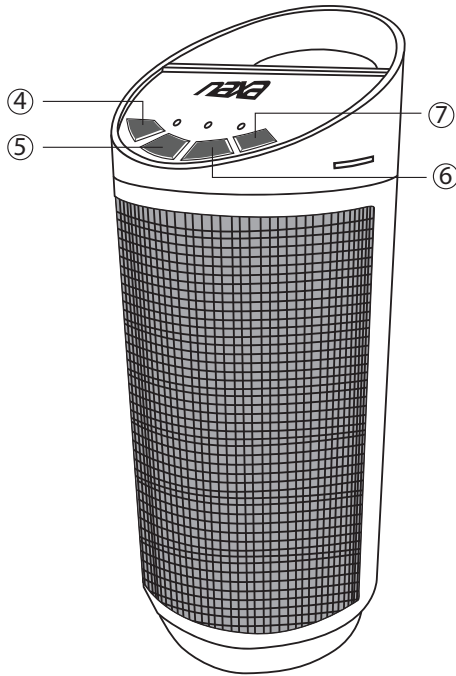
Please take a moment to make sure that you have everything in the list below. Although we make every effort to ensure that each Naxa device is securely packed and sealed, we know a lot can happen in between us and you. If anything is missing, check back with your local retailer to get immediate assistance. If they cannot help you, please contact our Naxa Support team at **www.naxa.com/naxa_support**.

- NAS-3080
- Combination USB charge + 3.5 mm AUX adapter cable

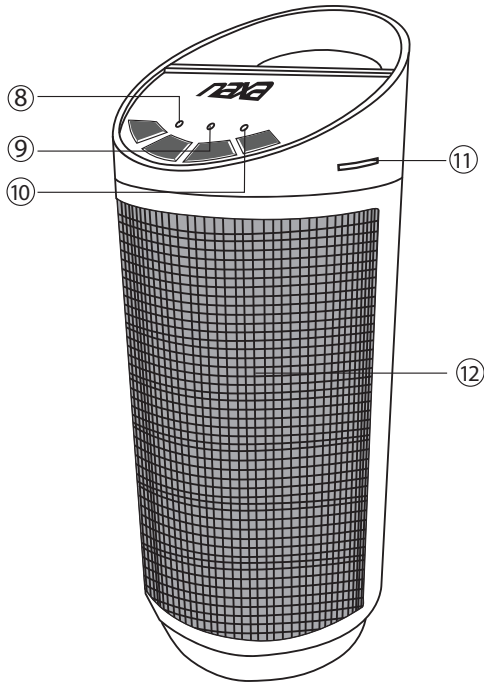
At a Glance



	Part	Description
1	DC 5 V	Micro USB power connector. Connect to a USB power source to charge/power the unit. Plug in the included cable to improve the unit's radio reception.
2	USB port	Play compatible MP3 files from USB flash memory drives.
3	Power switch	Set to ON to turn the speaker on. Set to OFF to turn the speaker off.



	Part	Description
4	⏮	<p>Previous: Press to skip to the previous track or radio station.</p> <p>Volume down: Press and hold to decrease the volume.</p>
5	LED	Press to change the light mode (Mode 1, Mode 2, Off).
6	▶ /↻	<p>Mode: Press and hold to switch between Bluetooth, Radio, AUX, and Music Play modes. (Music Play is only available when a compatible microSD card is installed.)</p> <p>Play/pause: Press to start, pause, or resume playback.</p> <p>Phone: Control the speakerphone functions when the speaker is connected to a Bluetooth enabled phone.</p>
7	⏭	<p>Next: Press to skip to the next track.</p> <p>Volume up: Press and hold to increase the volume.</p>



	Part	Description
8	Power LED	Lights red when the speaker is charging.
9	MIC	Built-in microphone for speakerphone functions.
10	Status LED	Flashing blue quickly: Bluetooth® Pairing mode. Flashing blue slowly: Playing a track or Bluetooth device. Steady blue: Connected to a Bluetooth device.
11	TF	Play compatible MP3 files from microSD or microSDHC memory cards.
12	Multicolor lights	Press [LED] to control the Multicolor light effects.

Connecting Power

Your speaker has an integrated rechargeable battery. Upon initial use, the battery should be charged fully to ensure optimal performance and battery life.

Use the included USB cable to connect the speaker to a USB power source to charge the battery.

- Connect the small end of the included USB charge cable to the DC 5V port of the speaker [1].
- Connect the large end of the cable to a high-power USB port of a computer. The computer should be powered on.



The Power LED will light red when the speaker is charging.

It takes approximately 2 hours to fully charge the battery.



To optimize the performance and longevity of the battery, do not charge it for more than 4 hours.



The battery used in this device may present a fire or chemical burn if mistreated. Do not disassemble, incinerate, or heat the battery. Do not leave the battery in a place subject to direct sunlight, or in a car with its windows closed.

Do not connect the unit to a power source other than that which is indicated here or on the label as this may result in the risk of fire or electric shock.

To turn the speaker on, set the Power switch [3] to the ON position.

To turn the speaker off, set the Function switch [1] to the OFF position.

Using Bluetooth® Mode

Pairing a Device with Bluetooth®

A device must be paired with the speaker before using them together for the first time.

Make sure Bluetooth is enabled on your device before attempting to pair it.

Set your speaker to Bluetooth mode (press and hold ►/⏪). The speaker will automatically search for a paired device. If it finds a paired device, it will connect to it automatically, and you're ready to play music from that device.

If it does not detect a paired device, it will switch to Pairing mode (the Status LED will [10] flash blue and the speaker will announce "The Bluetooth device is ready to pair"). When the speaker is in Pairing Mode, it will announce itself to nearby Bluetooth devices and accept pairing requests from them.

1. The speaker will announce itself as "NAXA NAS-3080." Use your device to search for nearby Blue-

tooth devices. (This function is usually in the Bluetooth settings menu; refer to your device's instruction manual to learn more.)

2. Select the speaker from the list of found devices.
3. If your device asks for a passcode, use "0000" to complete the pairing process.

When the speaker is paired and connected to a device, the speaker will announce "The Bluetooth device has connected successfully" and the Status LED [10] will blink blue slowly.



If the pairing process fails, turn the speaker off, set the speaker to Bluetooth mode, and then repeat steps 1-3.

Make sure that the volume of your device is set to its maximum level; use the speaker to adjust the volume to a comfortable level.

The speaker cannot be paired with more than one device at a time.

Bluetooth® Speaker Controls

When the speaker is connected to a Bluetooth® device:

To do this...	...do this
Start, pause, or resume audio playback	Press ► /♪.
Skip to the previous track	Press ◀◀.
Skip to the next track	Press ▶▶ .
Decrease the volume level	Hold ◀◀.
Increase the volume level	Hold ▶▶ .



Your Bluetooth device must support remote functions in order to use the play controls on the speaker.


Bluetooth® Phone Controls

When the speaker is connected to a Bluetooth® phone:

To do this...	...do this
Answer or end a call	Press ► /♪.
Reject an incoming call	Press and hold ► /♪.
Call back the last number	Press ► /♪ twice quickly.

Using the Radio (FM)

Your speaker can receive FM radio broadcasts. Press and hold ►||/↶ [6] to switch the speaker to Radio mode.

 *For better reception, plug the small micro USB connector of the included cable into the DC 5V port of the speaker [1].*


The first time you use the FM radio, press ►||/↶ to scan for stations and save them to preset memory. You should also do this if you move the speaker to a different location as the available stations will change.

When listening to the FM radio:

To do this...	...do this
Scan for stations and save them to preset memory	Press ► /↶.
Tune to a lower preset station	Press ◀◀.
Tune to a higher preset station	Press ▶▶.
Decrease the volume level	Hold ◀◀.
Increase the volume level	Hold ▶▶.

Using the Music Player (MP3)

Your speaker can play MP3 files from microSD/microSDHC memory cards as well as USB flash memory devices. Load memory cards in the TF slot [5]; USB flash drives should be plugged in to the USB port [4]. The speaker will switch to Music Player mode automatically when it detects a USB flash drive or memory card.

 *Music Player mode is only available when the speaker detects a compatible memory card or USB device.*

The memory card and USB reader cannot be used at the same time. Please connect only one type of memory device at a time.

When the speaker is in MP3 Music Player mode:

To do this...	...do this
Start, pause, or resume audio playback	Press ► /♪.
Skip to the previous track	Press ◀◀
Skip to the next track	Press ▶▶.
Decrease the volume level	Hold ◀◀.
Increase the volume level	Hold ▶▶.



Do not remove memory cards from the speaker while the speaker is on. Doing so may damage the speaker system or memory card.

Using AUX Input Mode



Connect devices without Bluetooth® by using the AUX connection. The included 3.5mm AUX adapter is required to make this connection.

1. Connect the 3.5mm plug of the included AUX adapter to the device's headphone or line-out jack.
2. Connect the small micro USB plug to the DC 5V port of the speaker [1].
3. Press and hold ►||/♪ to switch the speaker to AUX Input mode.
4. Turn on the device. Lower the volume on both the device and speaker.
5. Set the device volume to 80% of its maximum and then start playback.
6. Press and hold ▶▶ to gradually increase the volume of the speaker to a comfortable level.



Use the connected AUX device to control all functions in AUX mode. The speaker can only be used to adjust the volume.

Warnings and Precautions

	CAUTION WARNING: SHOCK HAZARD. DO NOT OPEN. AVIS: RISQUE DE CHOC ELECTRIQUE. NE PAS OUVRIR	
CAUTION: TO REDUCE THE RISK OF FIRE AND ELECTRIC SHOCK, DO NOT REMOVE THE COVER (OR BACK) OF THE UNIT. REFER SERVICING ONLY TO QUALIFIED SERVICE PERSONNEL.		



The lightning flash with arrowhead symbol within an equilateral triangle is intended to alert the user to the presence of uninsulated “dangerous voltage” within the product’s enclosure that may be of significant magnitude to constitute risk of electric shock



The exclamation point within an equilateral triangle is intended to alert the user to the presence of important operation and servicing instructions in the literature accompanying the appliance.

CAUTION

- Do not block the ventilation openings or holes.
- Do not place any naked flames (such as lighted candles) on the apparatus.
- When discarding batteries, follow all local rules and laws governing the disposal of batteries. Consider the environmental impact of your actions!
- To prevent fire or shock hazard, do not expose this appliance to rain or moisture.

Important Safety Information

1. **Read Instructions:** All the safety and operating instructions should be read before the product is operated.
2. **Retain Instructions:** The safety and operating instruction should be retained for future reference.
3. **Heed Warnings:** All warnings on the product and in the operating instructions should be adhered to.
4. **Follow Instructions:** All operating and usage instructions should be followed.
5. **Cleaning:** Unplug this product from the wall outlet before cleaning. Do not use liquid cleaners or aerosol cleaners. Use a damp cloth for cleaning.
6. **Attachments:** Use only attachments recommended by the manufacturer. Use of other attachments may be hazardous.
7. **Water and Moisture:** Do not use this product near water (e.g., near a bathtub, washbowl, kitchen sink, laundry tub, in wet basements, or near a swimming pool and the like).
8. **Accessories:** Do not place this product on an unstable cart, stand, tripod, bracket, or table. Use only with carts, stands, tripods, brackets, or tables recommended by the manufacturer or sold with the product. Any mounting of the product should follow the manufacturer’s instructions and should use a mounting accessory recommended by the manufacturer. A product and cart combination should be moved with care. Quick stops, excessive force, and uneven surfaces may cause the product and cart combination to overturn.



9. **Ventilation:** Slots and openings in the cabinet are provided for ventilation to ensure reliable operation of the product and to protect it from overheating. These openings should never be blocked by placing the product on a bed, sofa, rug, or other similar surface. This product should not be placed in a built-in installation such as a bookcase or rack unless proper ventilation is provided or the manufacturer instructions have been adhered to.
10. **Power Sources:** This product should be operated only from the type of power source indicated on the rating label. If you are not sure of the type of power supply to your home, consult your product dealer or local power company. For products intended to operate from battery power or other sources, refer to the operating instructions.
11. **Grounding or Polarization:** This product may be equipped with a polarized alternating-current line plug that has one blade wider than the other. This plug will only fit into the power outlet in one direction. This is a safety feature. If you are unable to insert the plug fully into the outlet, try reversing the direction of the plug. If the plug should still fail to fit, contact an electrician to replace the obsolete outlet. Do not defeat the safety purpose of the polarized plug.
12. **Power-Cord Protection:** Power supply cords should be routed so that they are not likely to be walked on or pinched by items placed upon or against them, paying particular attention to cords at plugs, convenience receptacles, and at the point which they exit from the product.
13. **Protective Attachment Plug:** The product may be equipped with an attachment plug with overload protection. This is a safety feature. See the operating instructions for replacement or directions to reset the protective device. If replacement of the plug is required, be sure the service technician has used a replacement plug that has the same overload protection as the original plug as specified by the manufacturer.
14. **Lightning:** For added protection for this product, unplug it from the wall outlet during a lightning storm or when it is left unattended and unused for long periods of time. This will prevent damage to the product due to lightning or power-line surges.
15. **Overloading:** Do not overload wall outlets, extension cords, or integral convenience receptacles as this can result in a risk of fire or electric shock.
16. **Object and Liquid Entry:** Never push objects of any kind into this product through openings as they may touch dangerous voltage points or short-out parts that could result in a fire or electric shock. Never spill liquid of any kind on the product.
17. **Servicing:** Do not attempt to service this product yourself as opening or removing covers may expose you to dangerous voltage or other hazards. Refer all servicing to qualified service personnel.
18. **Damage Requiring Service:** Unplug this product from the wall outlet and refer servicing to qualified service personnel under the following conditions: a) when the power-supply or plug is damaged; b) if liquid has been spilled or if objects have fallen into the product; c) if the product has been exposed to rain or water; d) if the product does not operate normally by following the operating instructions. Adjust only those controls that are covered by the operating instructions as improper adjustment of other controls may result in damage and will often require extensive work by a qualified technician to restore the product to its normal operation; e) if the product has been dropped or damaged in any way; f) when the product exhibits a distinct change in performance—this indicates a need for service.
19. **Replacement Parts:** When replacement parts are required, be sure that your service technician has used replacement parts specified by the manufacturer or have the same characteristics as the original part. Unauthorized substitutions may result in fire, electric shock, or other hazards.

20. **Safety Check:** Upon completion of any service or repairs to this product,ask the service technician to perform safety checks to ensure that the product is in proper operating condition.
21. **Wall or Ceiling Mounting:** The product should be mounted to a wall or ceiling only as recommended by the manufacturer.
22. **Heat:** The product should be situated away from heat sources such as radiators,heat registers, stoves, or other products (including amplifiers) that produce heat.

WARNING:

This product contains lead, a chemical known to the State of California to cause cancer and birth defects or other reproductive harm. ***Wash hands after handling.***

FCC NOTICE

This device complies with Part 15 of the FCC Rules. Operation is subject to the following two conditions: (1) this device may not cause harmful interference, and (2) this device must accept any interference received, including interference that may cause undesired operation.

Note: This equipment has been tested and found to comply with the limits for a Class B digital device, pursuant to Part 15 of the FCC Rules. These limits are designed to provide reasonable protection against harmful interference in a residential installation. This equipment generates, uses and can radiate radio frequency energy and, if not installed and used in accordance with the instructions, may cause harmful interference to radio communications. However, there is no guarantee that interference will not occur in a particular installation. If this equipment does cause harmful interference to radio or television reception, which can be determined by turning the equipment off and on, the user is encouraged to try to correct the interference by one or more of the following measures:

- Reorient or relocate the receiving antenna.
- Increase the separation between the equipment and receiver.
- Connect the equipment into an outlet on a circuit different from that to which the receiver is connected.
- Consult the dealer or an experienced radio/TV technician for help.

CAUTION ON MODIFICATIONS

Any changes or modifications not expressly approved by the grantee of this device may void the authority granted by the FCC to operate the equipment.

Trademark & Regulatory Statements

Bluetooth® is a registered trademark of Bluetooth SIG, Inc. Other trademarks and names are those of their respective owners.

microSD and microSDHC are trademarks or registered trademarks of SD-3C, LLC in the United States, other countries or both.

Troubleshooting Guide

This guide lists common problems and their solutions. Please refer to this guide before requesting service. If you need further assistance, please contact Naxa Technical Support (www.naxa.com/naxa_support/).

Symptom	Possible Cause	Possible Solution	Symptom	Possible Cause	Possible Solution
There is no power.	The battery is exhausted.	Connect the unit to a USB power source to charge it.	The device is connected but there is no sound.	The AUX connector may be in use.	Disconnect all cables from the DC 5V connector of the speaker.
	The speaker hasn't been turned on.	Set the Power switch to ON to turn the speaker on.		Your device may be beyond the effective range of the speaker.	Move closer to the speaker. Range may be affected adversely by environmental conditions.
The device is unable to connect to the speaker.	The speaker is not in pairing mode.	Reset the speaker (turn it off and then on again.) Switch to Bluetooth mode. The speaker will announce "The Bluetooth device is ready to pair."		Your device may not be in playback mode.	Ensure that your device is operating correctly. Start playback on your device.
	Bluetooth may be disabled on your device.	Make sure Bluetooth is enabled on your device. Turn it on if it isn't.			

Specifications

Speaker Output	3 W RMS
Frequency Response	180–20,000 Hz
Removable Memory Support	microSD, microSDHC (max 32 GB) USB
Playable Media Formats	MP3
Radio Tuner	FM
Input	Bluetooth® 2.1 + EDR 3.5mm AUX audio (with included adapter) Built-in microphone
Power	Rechargeable battery (600 mAh) USB charge port (DC 5V)
Play Time*	5 hours

* Play time will vary depending on use and environmental conditions.

Note: Products are improved continuously. We reserve the right to modify the product and specifications without prior notice.

Support

If you have problems with your device, please consult the instructions in this manual. Please also visit us on the web at www.naxa.com to get up to the minute news, alerts, and documentation for your device. For additional assistance, please contact Naxa Technical Support.

NAXA Technical Support

2320 East 49th St.
Vernon, CA 90058

http://www.naxa.com/naxa_support/

